



E S T U D I O P E R S O N A



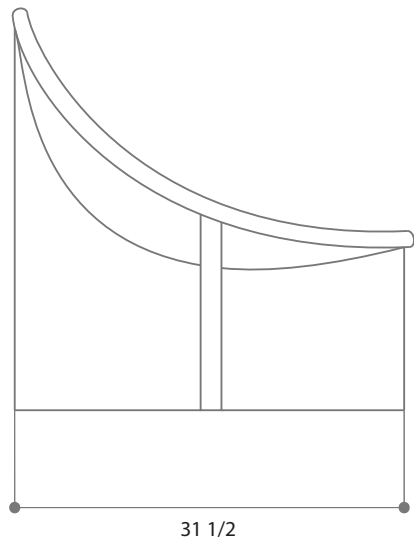
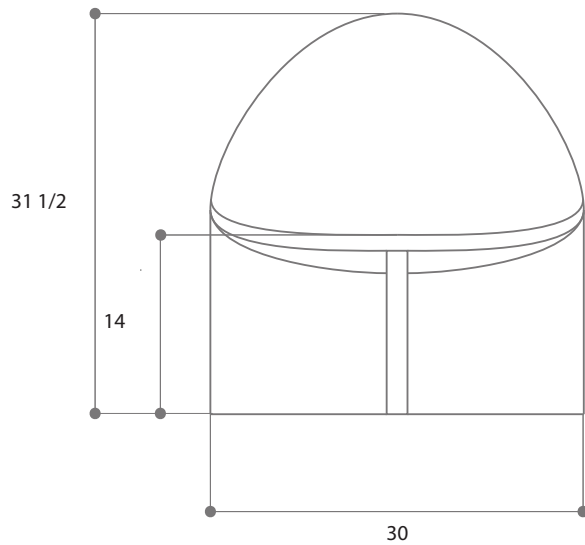
White Oak
Olive suede



White Oak
Cognac leather



White Oak
Black leather



NIDO CHAIR

The Nido chair plays with the interconnection of shapes. Its wooden base and upholstered curved seating, effortlessly combines comfort with form.

PRODUCT SPECIFICATIONS

MATERIALS

Solid wood base | upholstered laminated wood seat | foam padding. Available in white oak | walnut | maple | black stained ash | mahogany | combined with black leather | cognac leather | olive suede. Also available in COM or COL.

DIMENSIONS

30 W 31.5 D 31.5 H IN
76 W 80 D 80 H CM

WEIGHT

49 lbs | 22kg

FABRIC REQUIREMENTS

2 yards
Swatch required for approval

SHIPPING

Worldwide shipping.
Quotes upon request.

CLEANING INSTRUCTIONS

Solid Wood

Use a soft dust cloth wrung out in clean water and gently go over marks until clean. After cleaning, the wood should be dried with a soft cloth to prevent streaks and scratches.

PLEASE NOTE: All of our wood products have a water based clearcoat for further protection.

Leather

Vegetable tanned leather

Suede

If you have a leather item with some marks or stains use a dry, soft bristled brush to remove loose debris from the surface of the leather. Do not focus on one area, but rather a complete wipe down moving quickly and evenly.

PLEASE NOTE: Natural materials will come with peculiarities and develop a characteristic patina over time.

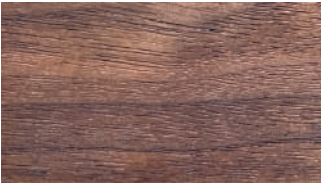
handmade in los angeles

Every effort is made to ensure an accurate representation of product colours, finishes and dimensions, but due to the handmade nature of this product, there may be a slight variation. Colour swatches are for reference only; Estudio Persona cannot guarantee exact colour match for any product finishes. All designs are protected under copyright law. Estudio Persona holds the exclusive manufacturing and distribution rights worldwide. Copying will be prosecuted.

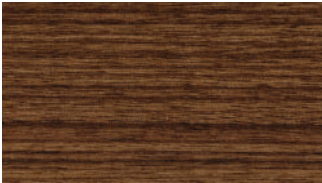
MATERIALS AND FINISHES



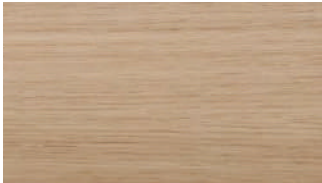
Black Stained Ash



Walnut



Oiled Walnut

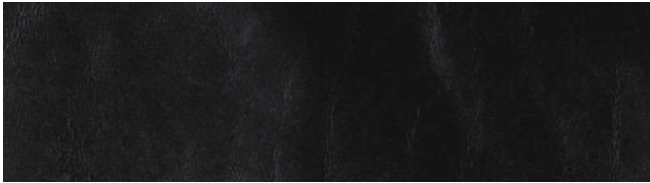


White Oak

SOLID WOOD
Type: Ash
Walnut
White Oak



Cognac Leather



Black Leather

LEATHER
Type: Cowhide
Average hide size: sq. ft
Weight: 5 oz
Thickness: 2.0 mm
Appearance: Consistent in Color



Olive Calf Suede

CALF SUEDE
Average Hide Size: sq ft +/-
Thickness: 0.8mm-0.9mm
Weight/Thickness: 2.0 oz