

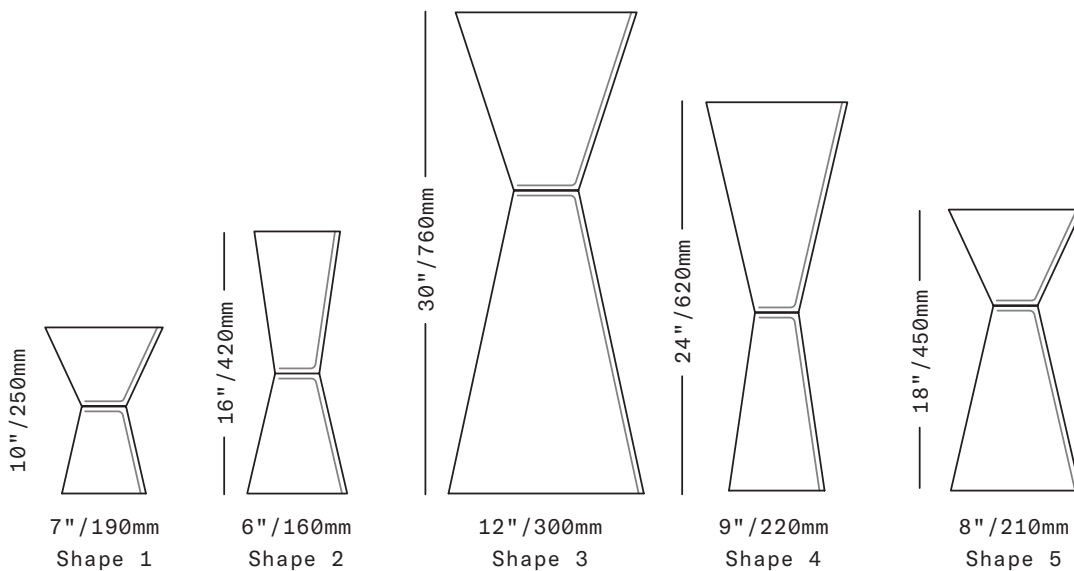
SkLO

Taper

VESSEL



From left: Shape 1, Shape 2, Shape 3, Shape 4, Shape 5



Double-sided vessels composed of tapering conical shapes joined together at their narrowest points. Using moulds to blow the individual glass shapes allows careful control over the exact sizes and proportions of the finished piece. Each half of each unique Taper Vessel is a different transparent color, and the color palette of the entire collection carefully repeats itself to insure multiple vessels always work together as a composition. Each end is open so that the vessels are entirely functional and reversible – the open ends are cut and finish polished.

Five unique shapes, colors available only as shown.

All glass dimensions are approximate – handblown glass dimensions vary by nature and intent

Made in the Czech Republic

VA751SGS
VA752SKB
VA753SGP
VA754SKP
VA755SMS
VA756MIX

Shape 1
Shape 2
Shape 3
Shape 4
Shape 5
Set of 5

- Olivin/Smokey Brown
- Smokey Brown/Smoke
- Olivin/Plum
- Smoke/Plum
- Olivin/Smoke



©