

101

C O P E N H A G E N



Snake Wall Lamp - Chrome

Designed by

Kristian Sofus Hansen &
Tommy Hyldahl

Snake Wall Lamp - Chrome

Product Description

The Snake Wall Lamp is a study in movement, an exploration of how light can flow like a living line through space. Inspired by the silent grace of a snake in motion, the design transforms solid metal into a gesture of softness, where curves and bends become expressions of quiet energy.

The form appears to move even when still. Slender pipes twist with sculptural precision, leading toward a refined conic shade that emits a warm, inviting glow. Light diffuses gently, creating an atmosphere that contrasts with the cool tactility of polished metal, balancing softness and precision.

In Chrome, the lamp becomes luminous and reflective. The mirror-like silver surface captures its surroundings with liquid clarity, amplifying both light and form. Sleek and sophisticated, this finish highlights the sculptural movement of the design while adding a crisp, modern edge.

The Snake Wall Lamp in Chrome is ideal for interiors seeking a clean, contemporary expression. Place it in hallways, living spaces, or as a statement bedside lamp, where its reflective surface interacts with natural and artificial light, enhancing both brightness and spatial depth.

Designer Description

Tommy Hyldahl and Kristian Sofus Hansen intertwine their distinct sensibilities to create designs where storytelling, materiality, and timeless form meet in quiet harmony.

With a background in fashion, Tommy brings an intuitive eye for trends, colors, and textures. His process is one of layering histories, blending details and references from past design periods and reimagining them into something fresh and contemporary. Each collection unfolds as a narrative, evolving from concept to creation, with every element contributing to a greater story.

Kristian, who has lived and studied in Japan, seeks to unite Japanese aesthetics with Danish design, creating a characteristic twist on simplicity itself. His work is defined by the search for subtle, original details that elevate each piece with a unique signature. Drawing inspiration from art and sculpture, his creative process unfolds in new and exciting ways, always striving to craft designs that are both functional and timeless.

Together, they craft design that transcends time, poetic yet practical, expressive yet enduring.



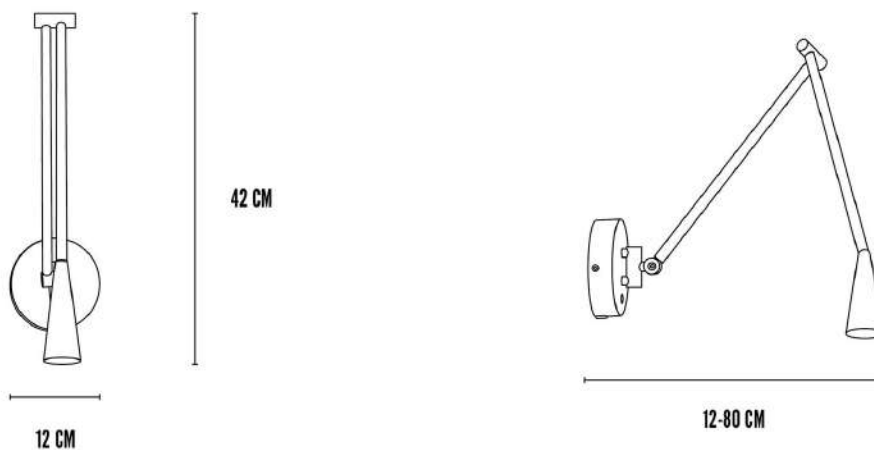
Snake Wall Lamp - Chrome

Main

SKU	262021	Product Family	Snake
Product name	Snake Wall Lamp - Chrome	Color	Chrome
Product Type	Wall Lamp	Size	Regular
		Unit	Piece

Logistics

EAN number		Package - CBM	0.005
Package height in cm	44.00	Package - Weight KG	4.500
Package width in cm	10.00	Tariff Code No	
Package length in cm	12.00	Country of origin	China
		Quantity of Inner Boxes	4



Snake Wall Lamp - Chrome

Product

Materials	Chrome (Cr III) Plated Aluminium	Light Source	G9
Item Height in cm	42	Lighting Certification	CE-Certificate
Item width in cm	12	Cable Length	None
Item length in cm	12	Max Watt (W)	8
Net weight in kg	3	Socket	G9 x 1 - 230V
Ceiling Cup Size	N/A	IP Rating	20

Led

Color Temperature		Lumen (lm)	N/A
Energy Class	N/A	Illuminant Lifetime (h)	N/A
EPREL No.	N/A	Driver Type	N/A

Snake Wall Lamp - Chrome

Family Description Text

The Snake Collection is a study in movement, an exploration of how light can flow like a living line through space. Inspired by the silent grace of a snake in motion, each piece transforms solid metal into a gesture of softness, where curves and bends become expressions of quiet energy.

The form seems to move even when still. Slender pipes bend and twist with sculptural precision, leading the eye toward refined conic shades that emit a warm, inviting glow. The light diffuses gently, creating an atmosphere that contrasts beautifully with the cool tactility of metal. This balance between hardness and warmth, structure and fluidity, defines the collection's calm yet expressive presence.

Designed to shape both space and mood, the Snake Collection invites light to become part of the architecture, not merely an object but a motion captured in form. Each curve tells a story of transformation, where material becomes movement and illumination becomes emotion. The result is a timeless expression of modern elegance, simple, poised, and quietly alive.

Color Description

Chrome is a sleek, mirror-like silver with liquid clarity, polished to brilliance. It reflects its surroundings with sharp precision, evoking the clarity of liquid metal. Luminous and sophisticated, this finish embodies modernist purity and serves as both a striking highlight and a refined counterbalance to textured tones.

Snake Wall Lamp - Chrome

Maintenance Guide Description

Our lamps finished in Chrome (Cr III) are crafted to reflect light with a mirror-like brilliance. To preserve this clarity and ensure lasting quality, regular and gentle care is essential. The surface should be wiped with a soft, dry microfiber cloth to remove dust and fingerprints, and for deeper cleaning a slightly damp cloth with mild, pH-neutral soap may be used, followed by immediate drying with a clean, lint-free cloth. Avoid abrasive pads, acidic solutions, ammonia-based cleaners, or strong detergents, as these can scratch the surface or dull its mirrored finish. Always switch off and unplug the lamp before cleaning, and keep it away from high humidity or direct water contact. With simple, consistent care, the Chrome (Cr III) finish will maintain its liquid-metal clarity and sleek, modern presence, ensuring your lamp remains striking and timeless for years to come.

Materials Description

The chrome finish combines technical precision with modernist clarity. Using Decorative Trivalent Chrome Plating (Cr III) on aluminium, the surface is polished to a mirrored brilliance that reflects its surroundings with sharp precision. Sleek and striking, it serves as a counterbalance to textured finishes, capturing light and form like liquid metal while embodying the clean lines of contemporary design.

101

C O P E N H A G E N



Snake Wall Lamp - Brass

Designed by

Kristian Sofus Hansen &
Tommy Hyldahl

Snake Wall Lamp - Brass

Product Description

The Snake Wall Lamp is a study in movement, an exploration of how light can flow like a living line through space. Inspired by the silent grace of a snake in motion, the design transforms solid metal into a gesture of softness, where curves and bends become expressions of quiet energy.

The form appears to move even when still. Slender pipes twist with sculptural precision, leading the eye toward a refined conic shade that emits a warm, inviting glow. Light diffuses gently, creating an atmosphere that contrasts beautifully with the cool tactility of metal, balancing structure and fluidity in a calm yet expressive presence.

In Hand Brushed Brass, the lamp takes on a warm, golden character. Fine brushstrokes soften the metallic surface, reducing shine and adding depth and movement. The result is a timeless finish that feels both contemporary and quietly luxurious, bringing warmth and elegance to the sculptural form.

The Snake Wall Lamp is ideal as accent lighting in living rooms, bedrooms, or hallways, where its sculptural profile can be appreciated up close. Its vertical expression makes it perfect beside a sofa, above a bedside table, or as a pair framing a mirror or artwork, adding both atmosphere and architectural character to the space.

Designer Description

Tommy Hyldahl and Kristian Sofus Hansen intertwine their distinct sensibilities to create designs where storytelling, materiality, and timeless form meet in quiet harmony.

With a background in fashion, Tommy brings an intuitive eye for trends, colors, and textures. His process is one of layering histories, blending details and references from past design periods and reimagining them into something fresh and contemporary. Each collection unfolds as a narrative, evolving from concept to creation, with every element contributing to a greater story.

Kristian, who has lived and studied in Japan, seeks to unite Japanese aesthetics with Danish design, creating a characteristic twist on simplicity itself. His work is defined by the search for subtle, original details that elevate each piece with a unique signature. Drawing inspiration from art and sculpture, his creative process unfolds in new and exciting ways, always striving to craft designs that are both functional and timeless.

Together, they craft design that transcends time, poetic yet practical, expressive yet enduring.



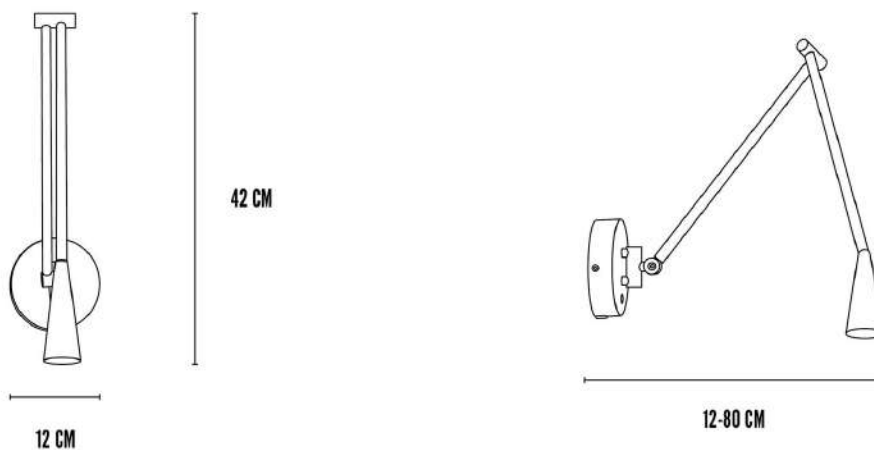
Snake Wall Lamp - Brass

Main

SKU	262023	Product Family	Snake
Product name	Snake Wall Lamp - Brass	Color	Brass
Product Type	Wall Lamp	Size	Regular
		Unit	Piece

Logistics

EAN number		Package - CBM	0.005
Package height in cm	44.00	Package - Weight KG	4.500
Package width in cm	10.00	Tariff Code No	
Package length in cm	12.00	Country of origin	China
		Quantity of Inner Boxes	4



Snake Wall Lamp - Brass

Product

Materials	Hand Brushed Plated Aluminium	Light Source	G9
Item Height in cm	42	Lighting Certification	CE-Certificate
Item width in cm	12	Cable Length	None
Item length in cm	12	Max Watt (W)	8
Net weight in kg	3	Socket	G9 x 1 - 230V
Ceiling Cup Size	N/A	IP Rating	20

Led

Color Temperature		Lumen (lm)	N/A
Energy Class	N/A	Illuminant Lifetime (h)	N/A
EPREL No.	N/A	Driver Type	N/A

Snake Wall Lamp - Brass

Family Description Text

The Snake Collection is a study in movement, an exploration of how light can flow like a living line through space. Inspired by the silent grace of a snake in motion, each piece transforms solid metal into a gesture of softness, where curves and bends become expressions of quiet energy.

The form seems to move even when still. Slender pipes bend and twist with sculptural precision, leading the eye toward refined conic shades that emit a warm, inviting glow. The light diffuses gently, creating an atmosphere that contrasts beautifully with the cool tactility of metal. This balance between hardness and warmth, structure and fluidity, defines the collection's calm yet expressive presence.

Designed to shape both space and mood, the Snake Collection invites light to become part of the architecture, not merely an object but a motion captured in form. Each curve tells a story of transformation, where material becomes movement and illumination becomes emotion. The result is a timeless expression of modern elegance, simple, poised, and quietly alive.

Color Description

Hand Brushed Brass has a golden metallic tone that resembles gold but with a softer, more muted character. Fine brushstrokes create a silky matte surface, reducing shine and adding depth and movement. The result is a warm, elegant finish that feels both timeless and contemporary.

Snake Wall Lamp - Brass

Maintenance Guide Description

Hand-brushed plated aluminium is sealed with a protective matte coating that preserves its soft sheen and quiet variations in texture. To maintain the beauty of your light, simply dust or wipe the surface with a soft cloth, using a little water only when necessary and always drying immediately afterwards. Abrasive cloths, brushes, solvents or strong detergents should be avoided, as they may damage the delicate brushed finish and its protective layer. The subtle variations in tone are intentional, a natural result of the hand-brushing process, and are not meant to be polished away. Always switch off and unplug the lamp before cleaning, and avoid exposing it to excessive humidity or direct contact with water. With gentle care, the surface will retain its richness and timeless character, carrying the traces of craftsmanship that make each piece unique.

Materials Description

Hand-brushed plated aluminium reflects the meeting of craftsmanship and time. Each piece is plated and then brushed by hand, creating subtle variations in tone and texture that make every object unique. A final matte coating softens the sheen into a silky finish, enhancing the surface with quiet movement and depth.

101

C O P E N H A G E N



Snake Wall Lamp - Burned Black

Designed by

Kristian Sofus Hansen &
Tommy Hyldahl

Snake Wall Lamp - Burned Black

Product Description

The Snake Wall Lamp is a study in movement, an exploration of how light can flow like a living line through space. Inspired by the silent grace of a snake in motion, the design transforms solid metal into a gesture of softness, where curves and bends become expressions of quiet energy.

The form seems to move even when still. Slender pipes bend and twist with sculptural precision, guiding the eye toward a refined conic shade that emits a warm, inviting glow. Light diffuses gently, creating a subtle contrast between illumination and the lamp's architectural silhouette.

In Burned Black, the design gains depth and intensity. The matte charcoal-black surface carries a warm red undertone, revealed softly as light moves across it. Bold yet understated, this finish enhances the graphic quality of the form while maintaining a calm and refined presence.

The Snake Wall Lamp in Burned Black works beautifully in modern interiors where contrast and structure are key. Use it as a dramatic accent in corridors, reading corners, or beside the bed, where its dark finish creates a strong visual statement while delivering soft, ambient light.

Designer Description

Tommy Hyldahl and Kristian Sofus Hansen intertwine their distinct sensibilities to create designs where storytelling, materiality, and timeless form meet in quiet harmony.

With a background in fashion, Tommy brings an intuitive eye for trends, colors, and textures. His process is one of layering histories, blending details and references from past design periods and reimagining them into something fresh and contemporary. Each collection unfolds as a narrative, evolving from concept to creation, with every element contributing to a greater story.

Kristian, who has lived and studied in Japan, seeks to unite Japanese aesthetics with Danish design, creating a characteristic twist on simplicity itself. His work is defined by the search for subtle, original details that elevate each piece with a unique signature. Drawing inspiration from art and sculpture, his creative process unfolds in new and exciting ways, always striving to craft designs that are both functional and timeless.

Together, they craft design that transcends time, poetic yet practical, expressive yet enduring.



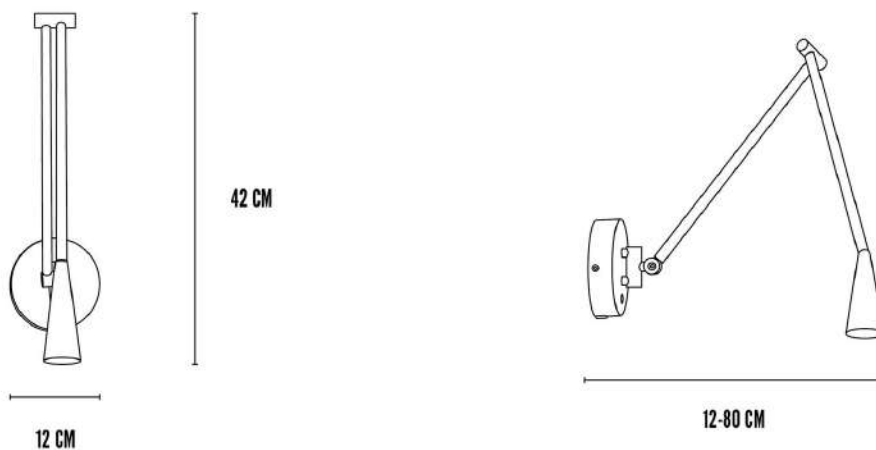
Snake Wall Lamp - Burned Black

Main

SKU	262022	Product Family	Snake
Product name	Snake Wall Lamp - Burned Black	Color	Burned Black
Product Type	Wall Lamp	Size	Regular
		Unit	Piece

Logistics

EAN number		Package - CBM	0.005
Package height in cm	44.00	Package - Weight KG	4.500
Package width in cm	10.00	Tariff Code No	
Package length in cm	12.00	Country of origin	China
		Quantity of Inner Boxes	4



Snake Wall Lamp - Burned Black

Product

Materials	Hand Brushed Plated Aluminium	Light Source	G9
Item Height in cm	42	Lighting Certification	CE-Certificate
Item width in cm	12	Cable Length	None
Item length in cm	12	Max Watt (W)	8
Net weight in kg	3	Socket	G9 x 1 - 230V
Ceiling Cup Size	N/A	IP Rating	20

Led

Color Temperature		Lumen (lm)	N/A
Energy Class	N/A	Illuminant Lifetime (h)	N/A
EPREL No.	N/A	Driver Type	N/A

Snake Wall Lamp - Burned Black

Family Description Text

The Snake Collection is a study in movement, an exploration of how light can flow like a living line through space. Inspired by the silent grace of a snake in motion, each piece transforms solid metal into a gesture of softness, where curves and bends become expressions of quiet energy.

The form seems to move even when still. Slender pipes bend and twist with sculptural precision, leading the eye toward refined conic shades that emit a warm, inviting glow. The light diffuses gently, creating an atmosphere that contrasts beautifully with the cool tactility of metal. This balance between hardness and warmth, structure and fluidity, defines the collection's calm yet expressive presence.

Designed to shape both space and mood, the Snake Collection invites light to become part of the architecture, not merely an object but a motion captured in form. Each curve tells a story of transformation, where material becomes movement and illumination becomes emotion. The result is a timeless expression of modern elegance, simple, poised, and quietly alive.

Color Description

Burned Black is a deep, charcoal-black tone enriched with a subtle warm red undercurrent. Its matte powder-coated surface delivers a smooth, consistent appearance, while gentle tonal shifts emerge as light moves across it. Bold yet quietly warm, Burned Black brings depth, richness, and a refined architectural presence to any palette.

Snake Wall Lamp - Burned Black

Maintenance Guide Description

Our lights crafted in powder coated aluminium are designed to offer lasting durability and a refined, contemporary finish. To preserve their beauty and ensure long-lasting performance, regular and gentle care is essential. The powder coated aluminium should be dusted regularly with a soft, dry microfiber cloth, and for deeper cleaning, a slightly damp cloth with mild, pH-neutral soap may be used, wiping gently to avoid compromising the coating. Avoid abrasive pads, acidic or alkaline solutions, solvents, or metal polishes, as these can dull, scratch, or damage the surface. Always switch off and unplug the light before cleaning, and prevent exposure to excessive humidity or direct water contact to protect both the coating and the internal electrical components. With simple, consistent care, the powder coated aluminium will maintain its elegant finish, ensuring your light remains beautiful and timeless for years to come.

Materials Description

Hand-brushed plated aluminium reflects the meeting of craftsmanship and time. Each piece is plated and then brushed by hand, creating subtle variations in tone and texture that make every object unique. A final matte coating softens the sheen into a silky finish, enhancing the surface with quiet movement and depth.