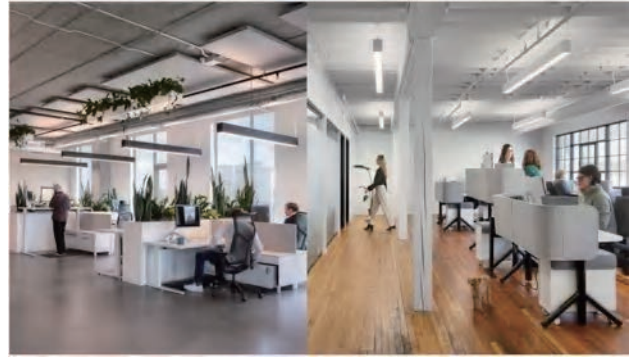


Architectural LED Linear Fixture



Features:

- 2' - 4' - 8' Linear Fixture lengths
- Black and White finishes
- Suspended/Surface/Wall mounting available
- PS Frosted lens standard (additional options available)
- Indirect/Direct with selectable distribution Integrated plug-in connectors for sleek designs



Dimensions: 2.75" W x 3.15" H
Selectable CCT: 3500K/4000K/5000K/5700K/6500K



Fixture linking:

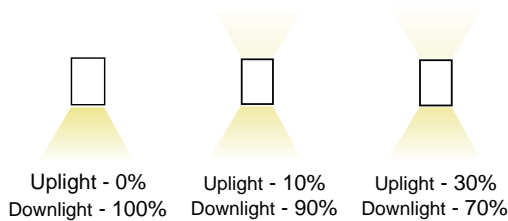
Max. linkable quantity

Down Linear	2FT	4FT	8FT
AC120V	18	9	5
AC277V	40	20	10

Up / Down Linear	2FT	4FT	8FT
AC120V	12	8	4
AC277V	28	17	8

Linear can be gapless as long as needed using multiple power cables.

Selectable Distribution:



Connector Options:

SZ-ALF-Joiner (02)
"—"Joiner



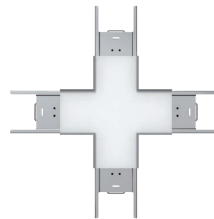
SZ-ALF-L (02) (Z)
Illuminated "L"



SZ-ALF-T (02) (Z)
Illuminated "T"



SZ-ALF-X (02) (Z)
Illuminated "X"



SZ-ALF-V60 (02) (Z)
Illuminated "V60"



SZ-ALF-V120 (02) (Z)
Illuminated "V120"



SZ-ALF-Y (02) (Z)
Illuminated "Y"



SZ-ALF-I (02) (Z)
Illuminated "I"



Remark : Z=Black or White

Architectural LED Linear Fixture

ORDERING GUIDE

Example: SZ-ALF50W-4FT-ACP (02)

Company Code	Fixture Type	Wattage	Size	ACP	optional
SZ Company Name	ALF Architectural LED Linear Fixture	40W Max 50W Max 100W Max	2FT 2' 4FT 4' 8FT 8'	ACP Adjustable CCT and Power 40W: 15/20/25/30/40W 3500K/4000K/5000K/5700K/6500K 50W: 25/30/35/40/50W 3500K/4000K/5000K/5700K/6500K 100W: 50/60/70/80/100W 3500K/4000K/5000K/5700K/6500K	Blank Without Sensor MS Motion sensor (Option) EM with Emergency Driver (Option)

Specifications

Housing

One-piece extruded aluminum with PS Lens.

Mounting

Pendant Mount, Recessed Mount for Drywall Ceiling, wall mount, & surface mount.

Electrical

Standard 120V - 277V
0-10V dimming standard with a dimming range of 100% to 10%. PF > 0.9. THD <20%.

CCT and CRI

Field selectable: 3500K, 4000K, and 5000K, 5700K,6500K. CRI 80.

Operating Temperature

Suitable for use in -20° C to 45° C (-4° F to 113° F).

Efficacy

115 lumens per watt.

Lifespan

L70 >50,000 Hours at 25°C (77°F).

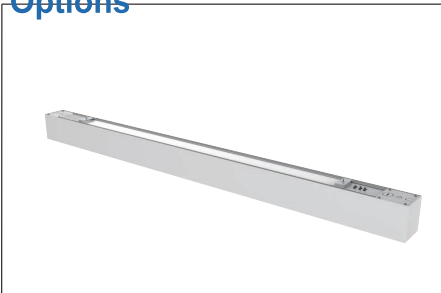
Certifications

UL Listed. DLC5.1

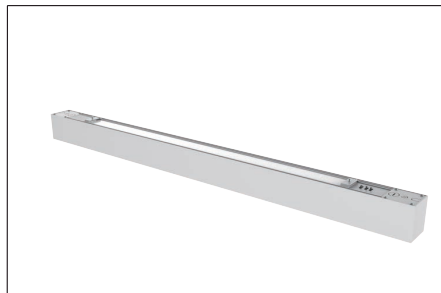
Warranty

5-year limited warranty.

Options

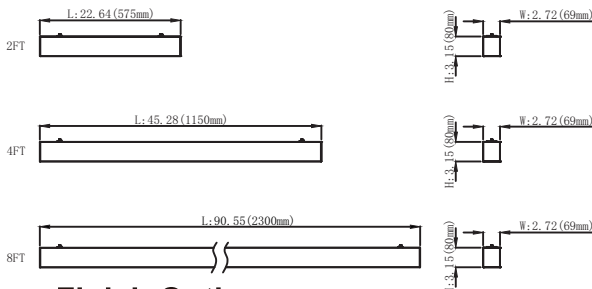


Standard: Integrated down lighting



Standard: Integrated up/down lighting

Product Dimension

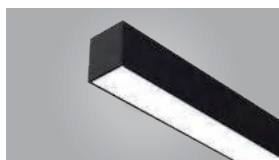


Catalog Number	Size
2FT	575x70x80(mm)/22.63"x2.75"x3.15"
4FT	1150x70x80(mm)/45.28"x2.75"x3.15"
8FT	2300x70x80(mm)/90.55"x2.75"x3.15"

Finish Options



White



Black

Housing Material: Aluminum

Optics: PS Lens

Finish: White, Black

Architectural LED Linear Fixture

Safety Instructions

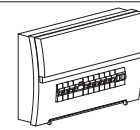
To ensure correct function and safety, please read and follow all instructions carefully before using the product:

1. Turn off power before installation or before doing any maintenance work.
2. Do not install any luminaire near the heat source.
3. Do not exceed the nominal supply voltage or amperage ratings.
4. Dimmable version could be compatible with a wide range of recommended 0-10V dimmers.
5. All wiring and installation of the light fitting must adhere to local and national wiring rules.
6. Take care not to pull any electrical wires during unpacking as this may damage the connection.
7. Lay out all the components on a smooth surface and make sure there are no components missing before assembling.
8. To avoid injury or damage to the fitting, please ensure that power leads and screws are secure before connecting the power.
9. Please keep instructions for future reference.

Installation Procedure

WARNING

1. Switch off before installation.
2. Switch on only after complete installation and examination of the circuit.
3. Professional electrician for installation and maintenance only.



Turn Off Power Supply

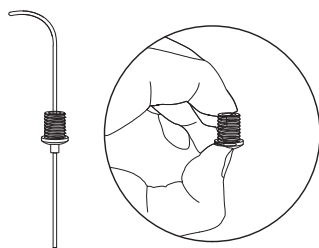
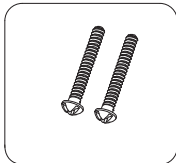
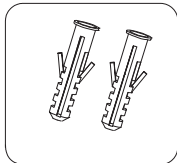
Turn Off power supply before starting any installation, Read instructions & check you have all the tools & accessories to complete the installation correctly.

Color Temperature & Light Distribution Field Adjustable Controls

1. Light Direction is selectable from Down only, both Down & Up lights.
2. Up 0%+Down 100%, Up 10%+Down 90%, Up 30%+Down 70%, , three lighting distribution ways switchable.
3. Control CCT of down or up light individually. Switch from 3500K, 4000K, 5000K, 5700K & 6500K. or other customize color temperature range.
4. Unique end cap simplifies installation, seamless continuous runs or individuals.

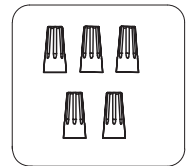
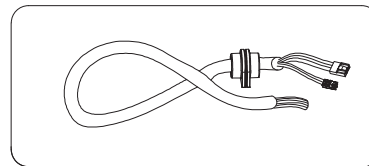
Pendant Mount

Accessories List



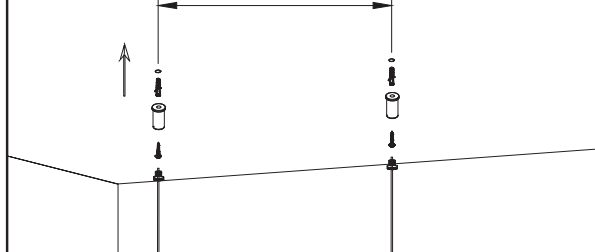
Press to adjust the length of the suspension wire

Driver's wires package (optional)

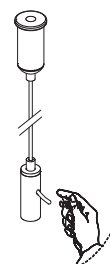


1. Fixing the hook and suspending the lamp.

2FT: 17.32" (440mm)
4FT: 41.34" (1050mm)
8FT: 89.37" (2270mm)

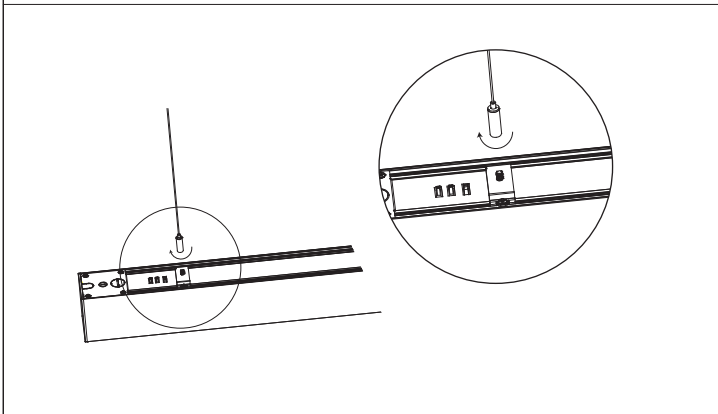


2. Adjusting the hanging rope length.

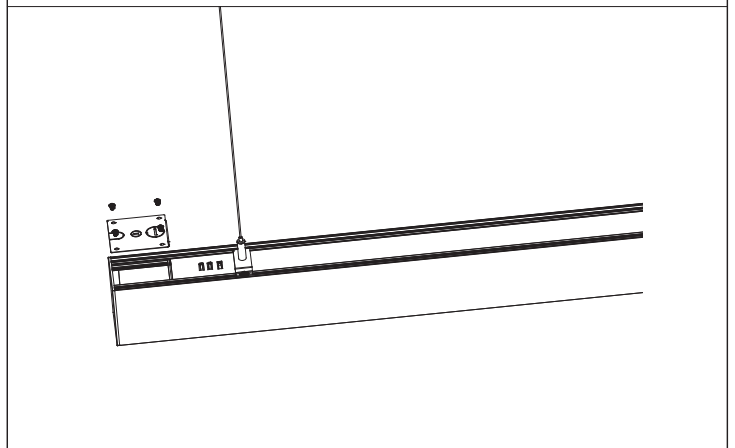


Architectural LED Linear Fixture

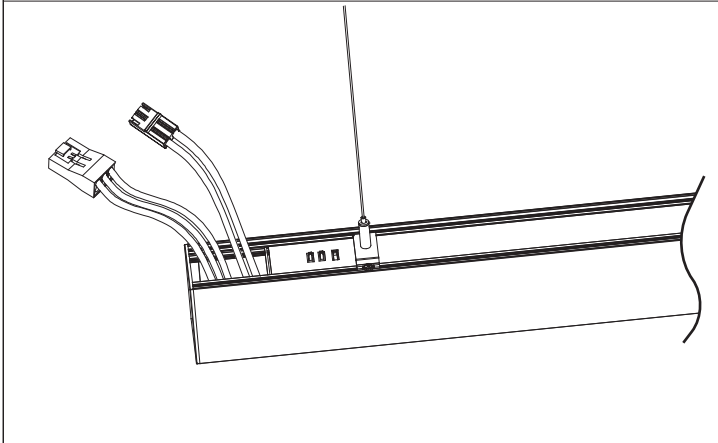
3. Use M5 square screw and M5 fixed head to fix LED strip light.



4. Open the end of the lamp to be connected.



5. Take out wire.



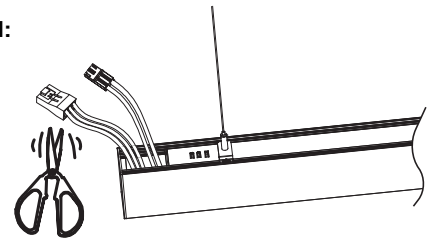
6. Cut off the corresponding terminals as required.

Three-position terminal:

- BLACK (LINE)
- WHITE (NEUTRAL)
- GREEN (GRD)

Two terminal:

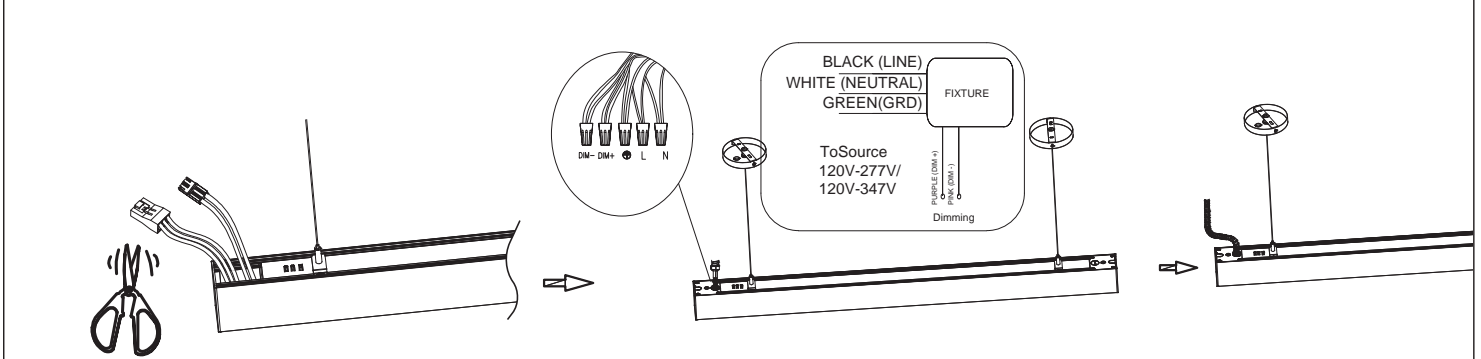
- PURPLE (DIM +)
- PINK (DIM -)



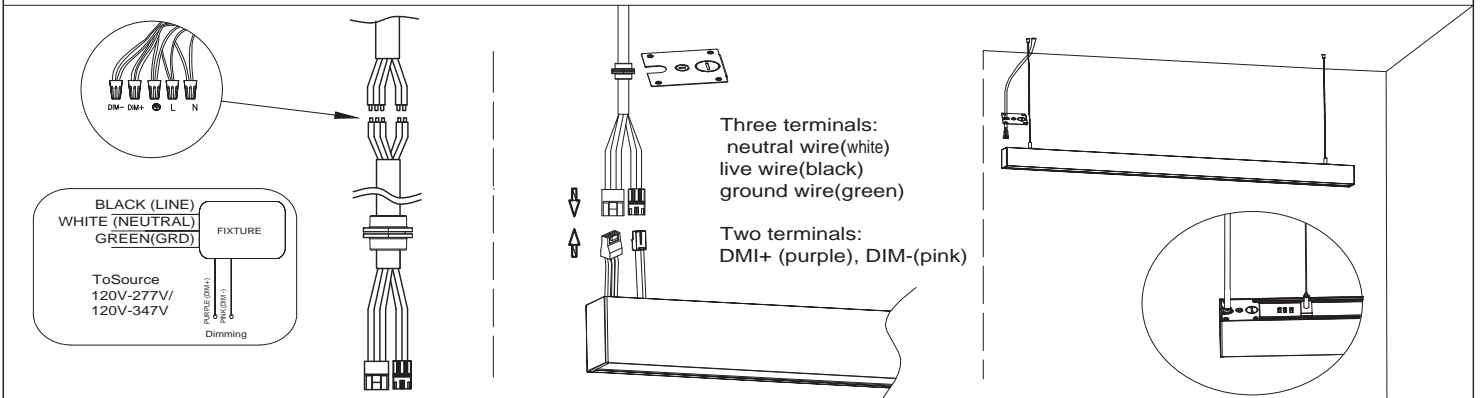
1. After cutting off the connecting terminals, the lighting fixture will no longer be able to link with other fixtures through terminals.
2. After cutting the wires, please ensure proper protection and labeling, and avoid using them for secondary wiring.

7. Turn off the power and wiring by using wire nut.

1. Insert the terminal block and wires into the lamp housing.
2. The installation is completed and energize the luminaire to verify operation.



Input wire group (optional)



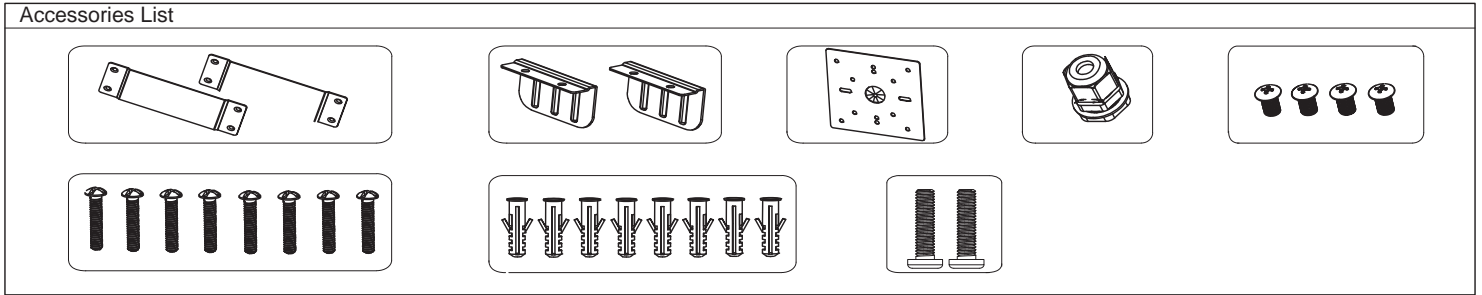
Three terminals:
neutral wire (white)
live wire (black)
ground wire (green)

Two terminals:
DMI+ (purple), DIM- (pink)

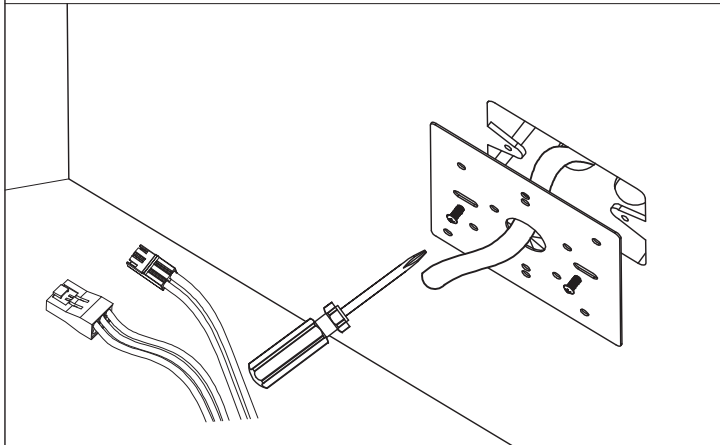
Architectural LED Linear Fixture

Wall Mount

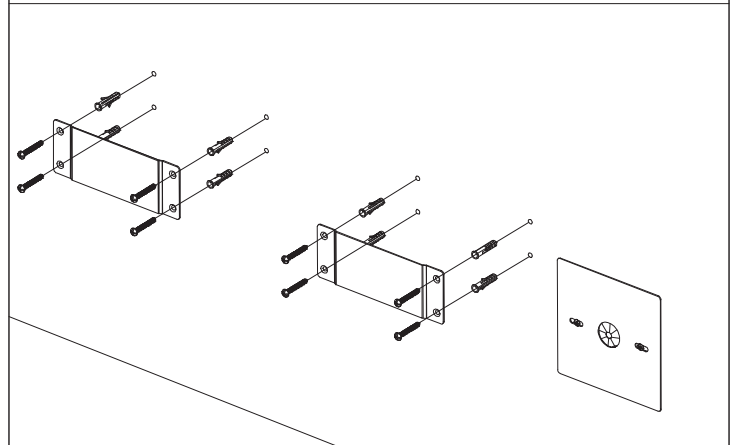
Accessories List



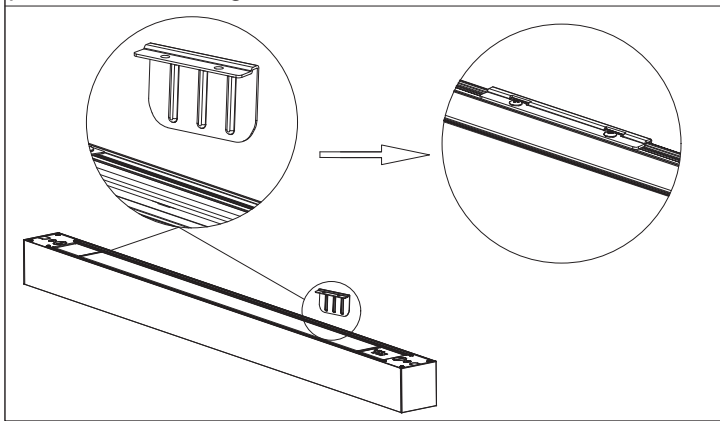
1. Pull out the wire and lock the trim.



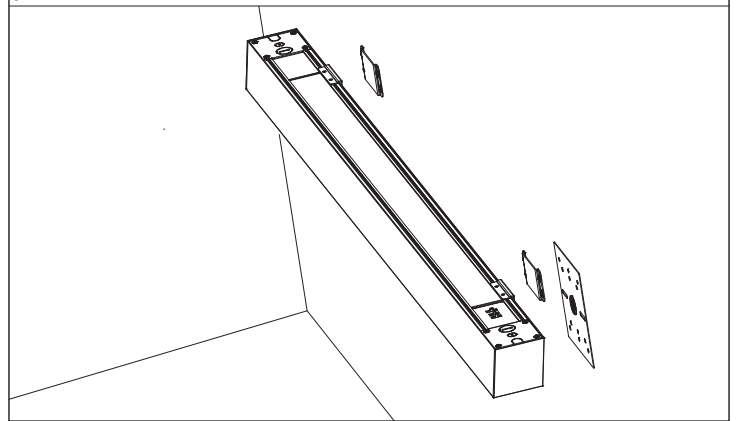
2. Set the appropriate distance and install mounting plate A.



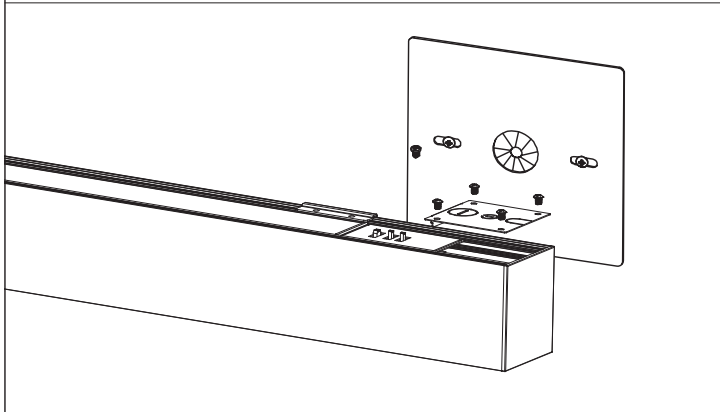
3. Install mounting board B on the lamp body according to the position of mounting board A.



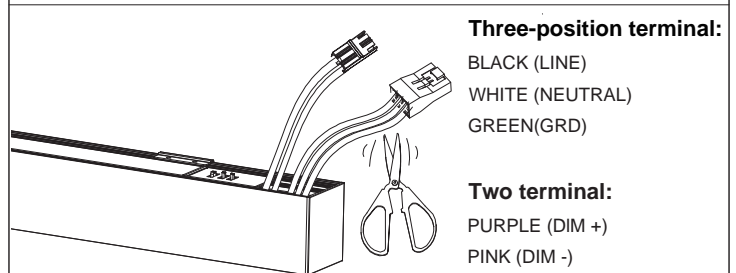
4. Insert mounting plate B on the light fixture into mounting plate A on the wall.



5. Remove one end screw of the lamp to pry open the wire hole.



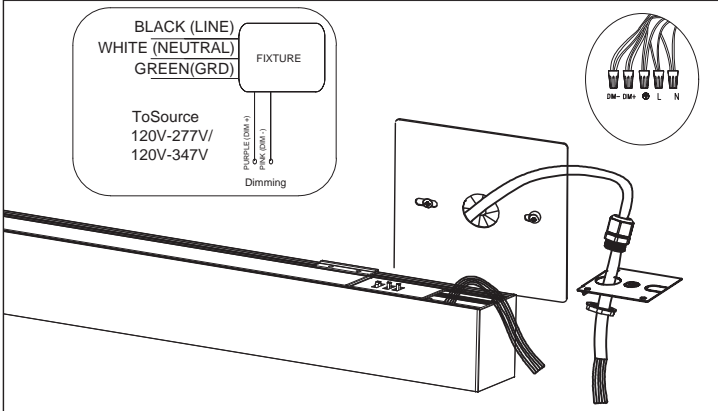
6. Cut off one end of the terminal as required for wiring.



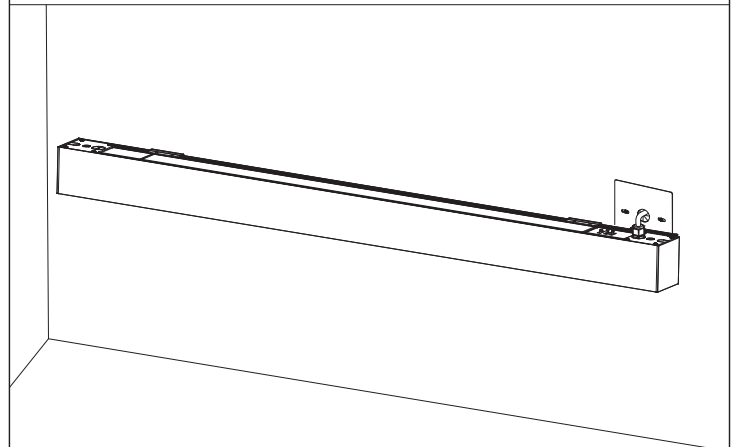
1. After cutting off the connecting terminals, the lighting fixture will no longer be able to link with other fixtures through terminals.
2. After cutting the wires, please ensure proper protection and labeling, and avoid using them for secondary wiring.

Architectural LED Linear Fixture

7. Make wiring according to wiring diagram, screw back the cover.

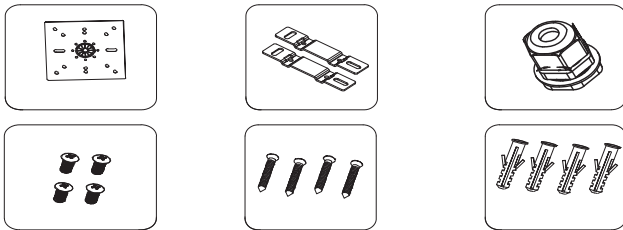


8. Open the end of the lamp to be connected.

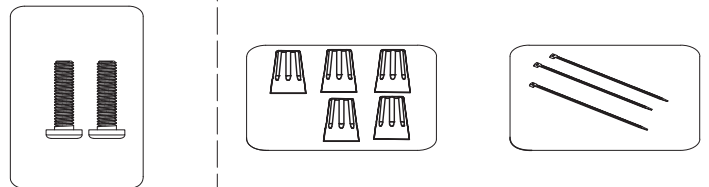


Surface Mount

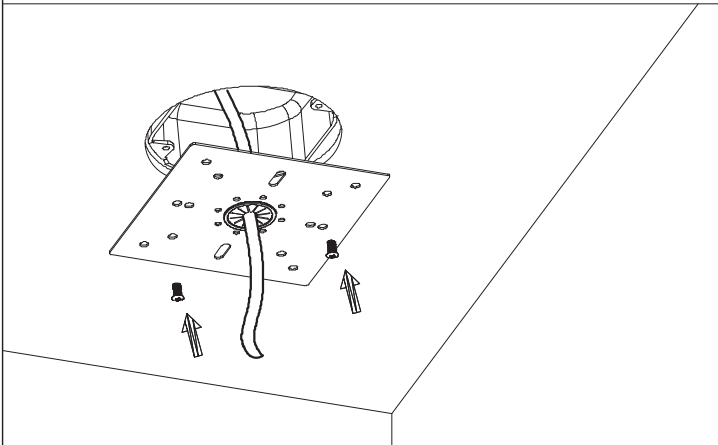
Accessories List



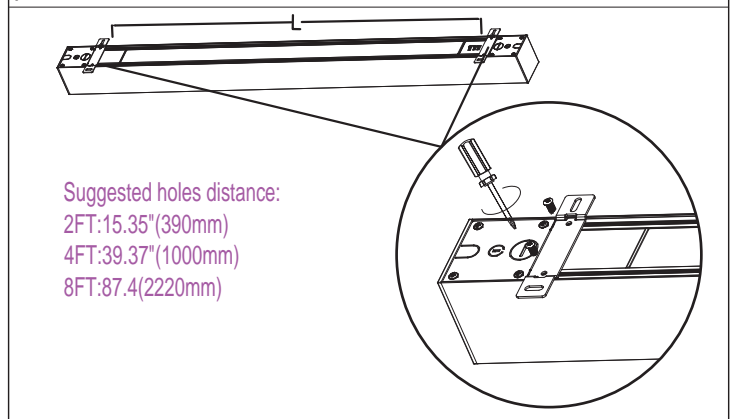
Driver's wires package (optional)



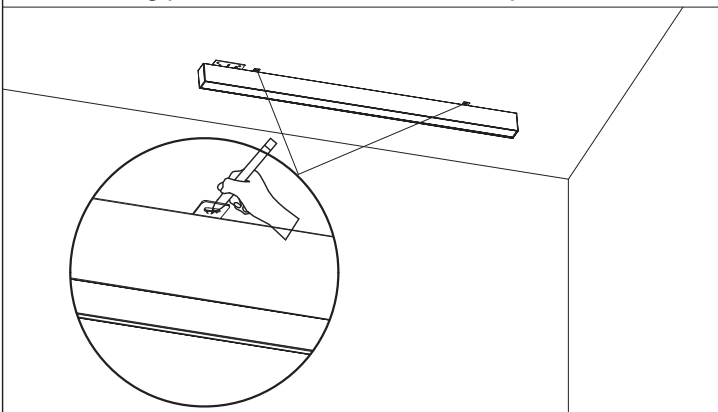
1. Attached square plate onto the junction-box with screws.



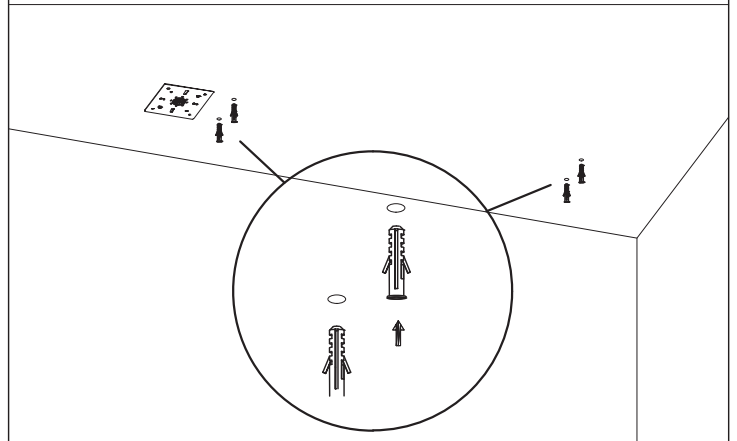
2. Fix the 2 surface-mounted brackets to fixture back with provided short screws.



3. Put and press the fixture onto mounting surface then mark the mounting positions from brackets for step 4.



4. Drill the holes according to the marks and insert the anchors.



Architectural LED Linear Fixture

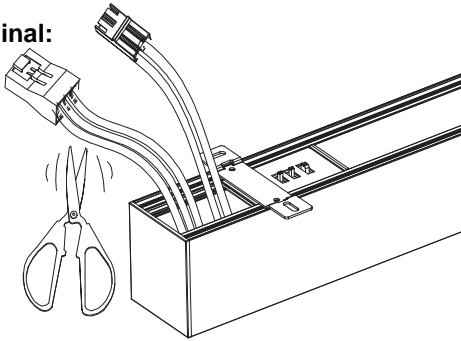
5. Cut off the corresponding terminals-as required

Three-position terminal:

BLACK (LINE)
WHITE (NEUTRAL)
GREEN (GRD)

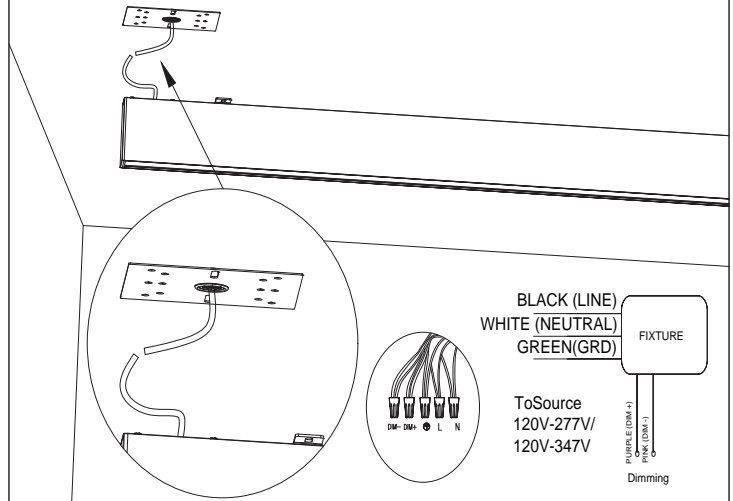
Two terminal:

PURPLE (DIM +)
PINK (DIM -)

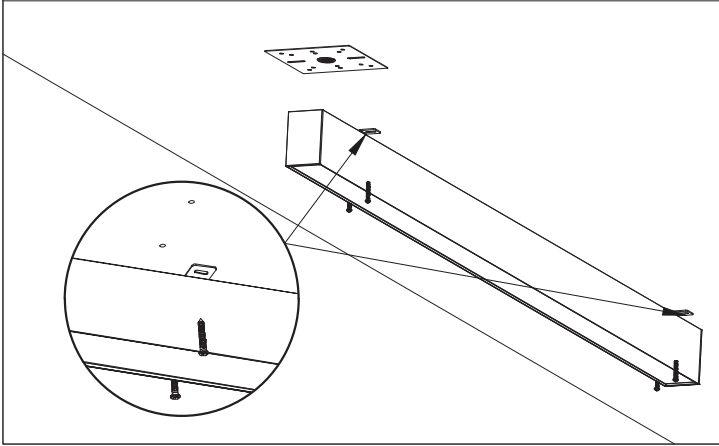


1. After cutting off the connecting terminals, the lighting fixture will no longer be able to link with other fixtures through terminals.
2. After cutting the wires, please ensure proper protection and labeling, and avoid using them for secondary wiring.

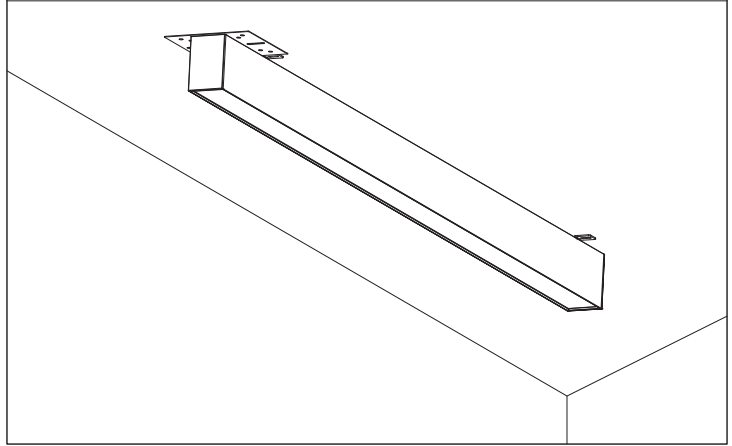
6. Open the end of the lamp to be connected.



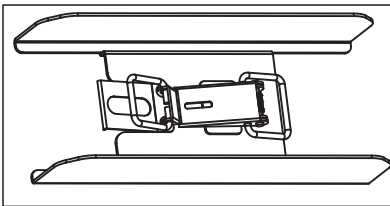
7. Secure the fixture to the mounting surface with long screws.



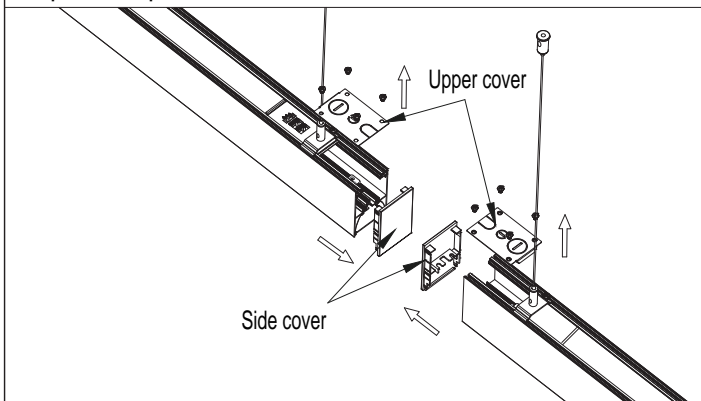
8. Installation completed.



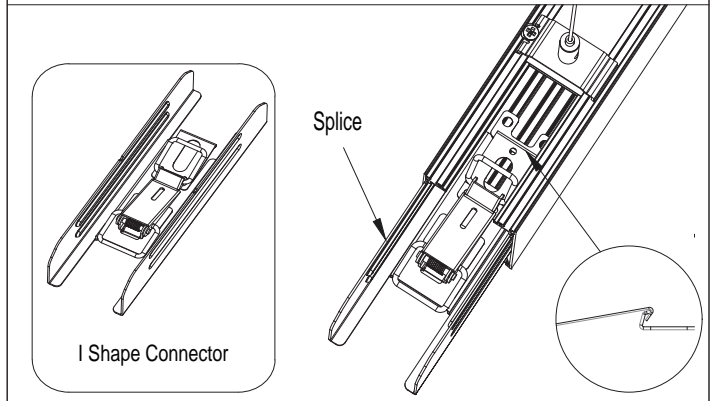
Linkable Connection Instructions



1. Remove the side cover and upper cover of both ends of the lamp to be spliced.

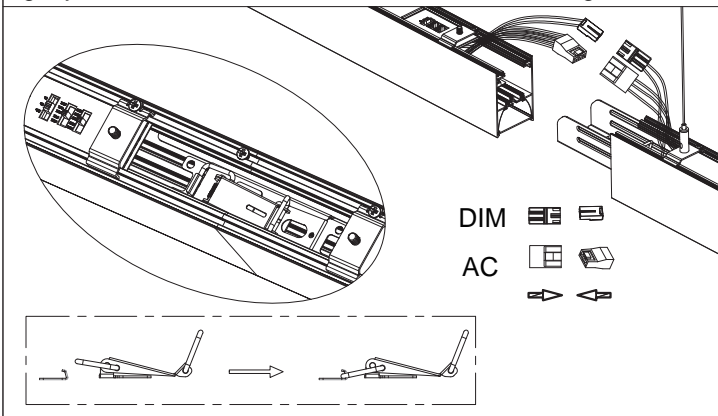


2. Insert the splicing component into the lamp and tighten the hook with the spring clip, as shown in the figure.

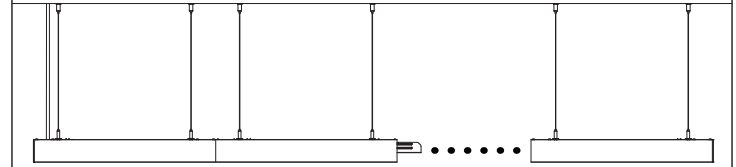


Architectural LED Linear Fixture

3. Connect the plug terminals and fasten the spring buckle tightly to the other hook buckle, as shown in the figure.



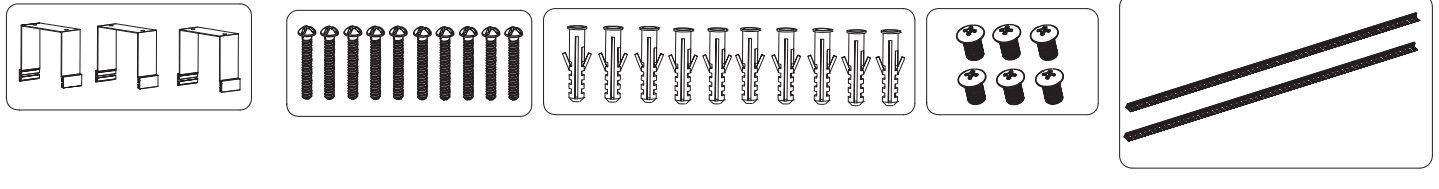
4. After assembling the required number of lamps, connect the input wires according to the lifting and wiring method, and complete the installation.



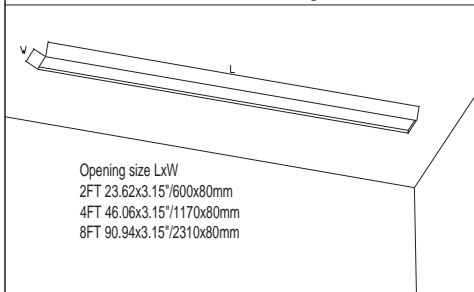
AC120-277V Splicing Qty(Max):
 2FT-40W:15PCS
 4FT-50W:12PCS
 8FT-100W:6PCS

Recessed Mounting for Mud Drywall Ceiling

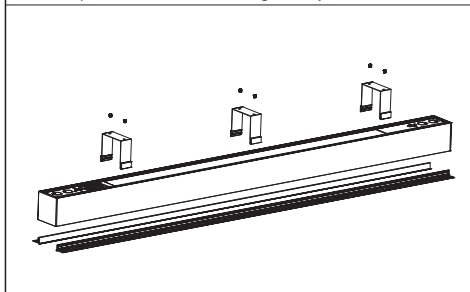
Accessories List



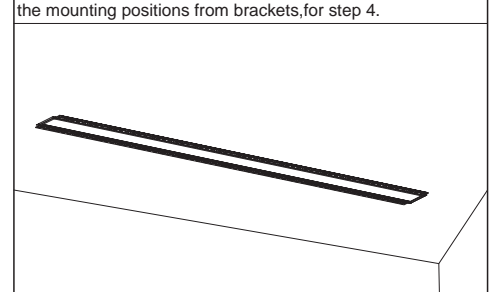
1. Reserve installation holes in the ceiling.



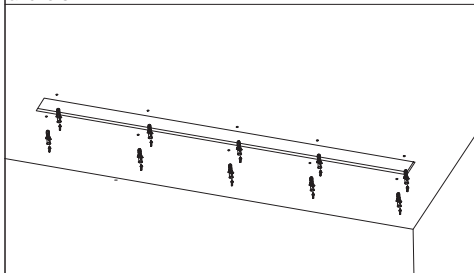
2. Fix the pre-buried lace on the light body.



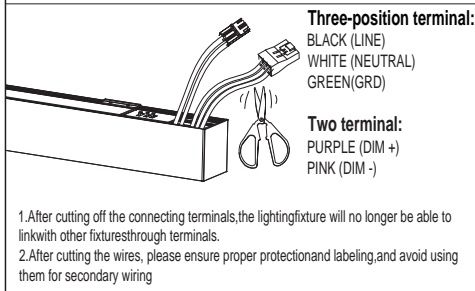
3. Put and press the fixture onto mounting surface, then mark the mounting positions from brackets, for step 4.



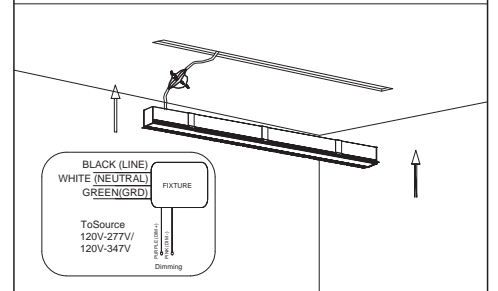
4. Drill the holes according to the marks and insert the anchors.



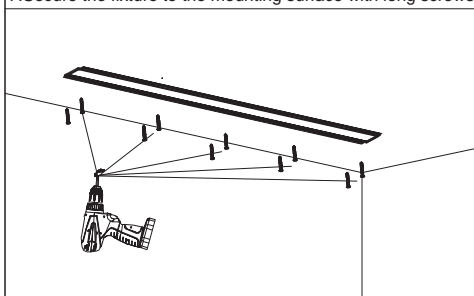
5. Cut off one end of the terminal as required for wiring.



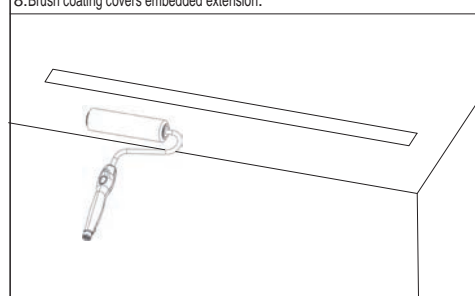
6. Turn off the power and wiring by using wire nut.



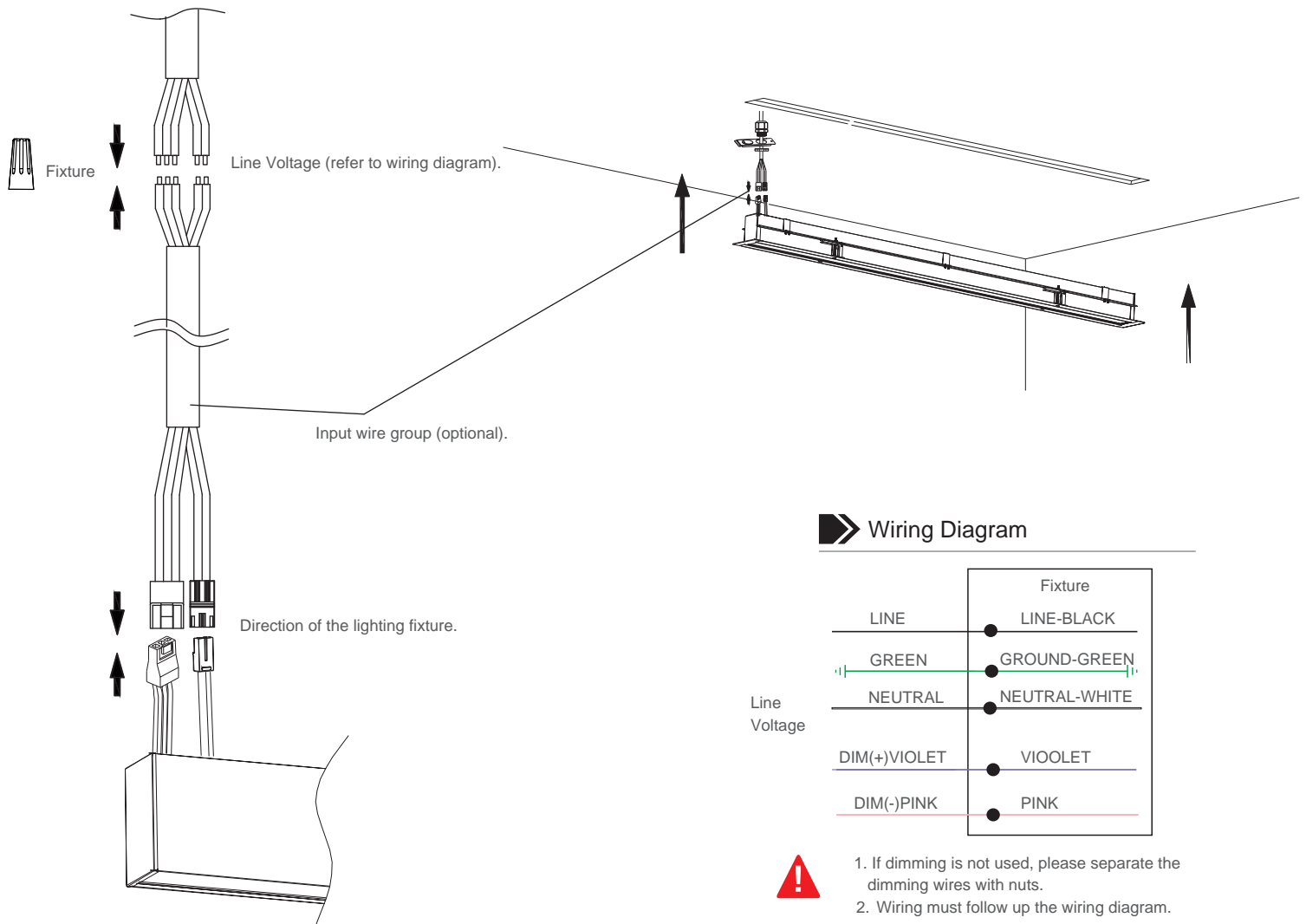
7. Secure the fixture to the mounting surface with long screws



8. Brush coating covers embedded extension.

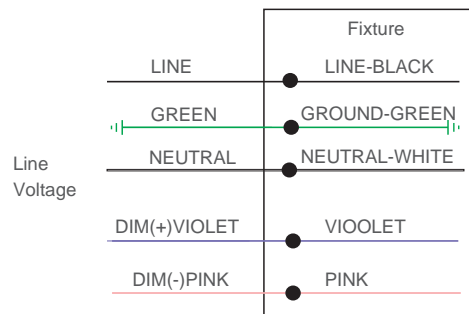


Architectural LED Linear Fixture



Three terminals: neutral wire, live wire, ground wire Two terminals: DM+ (purple), DIM- (pink)

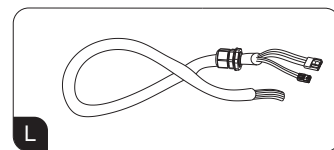
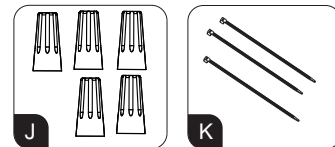
Wiring Diagram



1. If dimming is not used, please separate the dimming wires with nuts.
2. Wiring must follow up the wiring diagram.
3. Remind again: Cut off the power supply before operation.

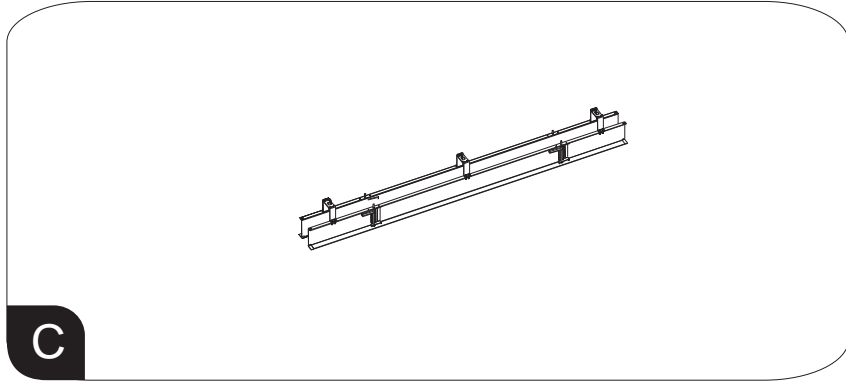
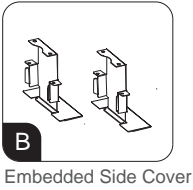
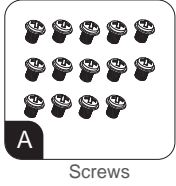
Wiring Diagram B

Driver's wires package(optional)



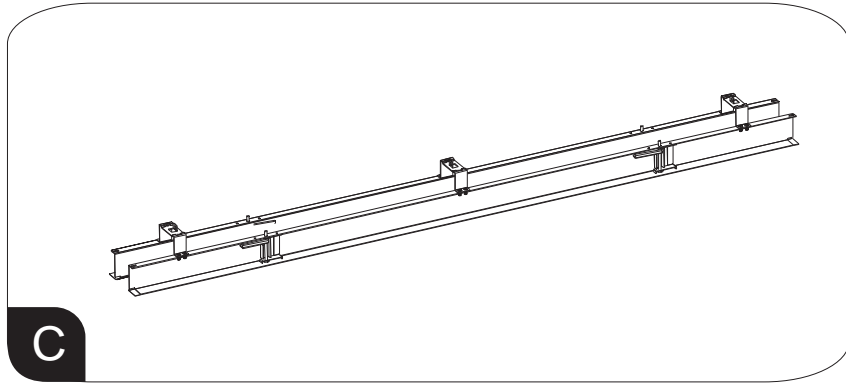
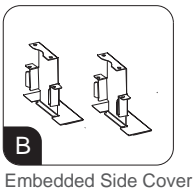
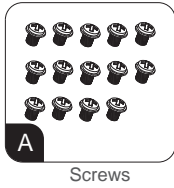
Architectural LED Linear Fixture

1 2FT Embedded installation accessories



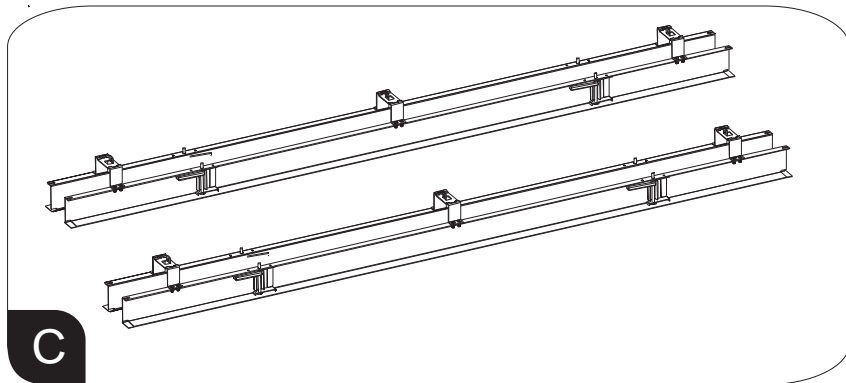
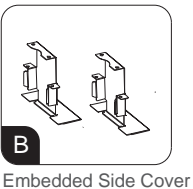
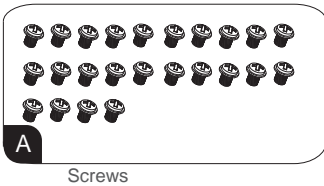
Embedded Mounting Bracket

2 4FT Embedded installation accessories



Embedded Mounting Bracket

3 8FT Embedded installation accessories

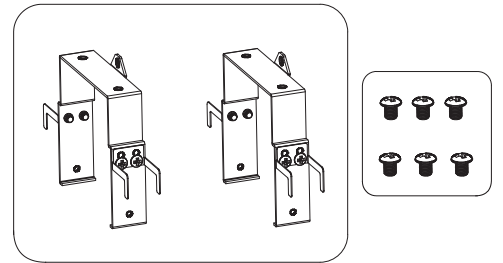
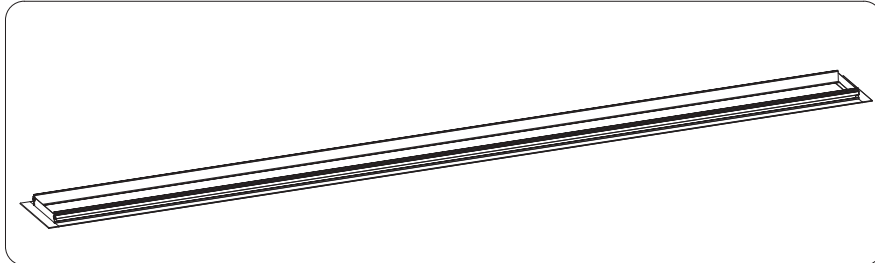


Embedded Mounting Bracket

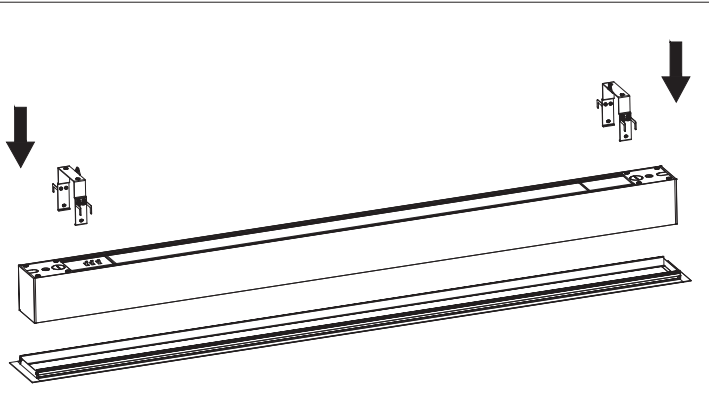
Architectural LED Linear Fixture

T-GRID RECESSED MOUNT INSTALLATION

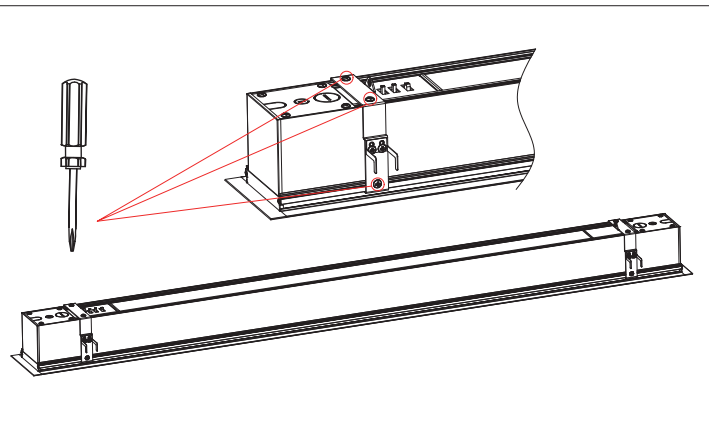
Accessories List



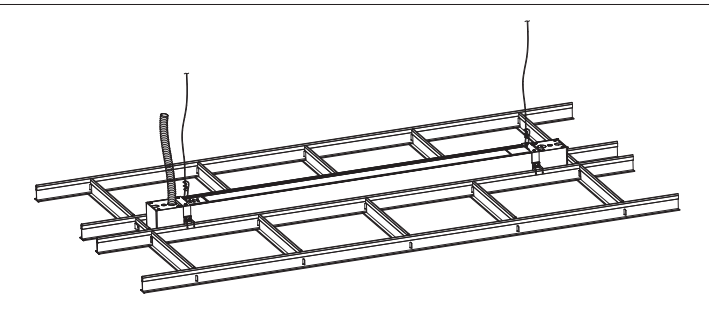
1. Fix the fixture together with the recessed trimmed mounting rail and the fixture fixing bracket.



3. Use a screwdriver to lock the bracket in place.



5. The installation is complete.



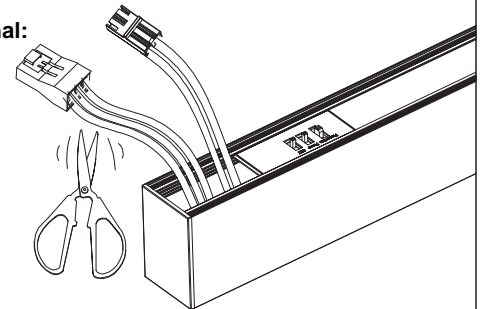
2. Cut off the corresponding terminals-as required

Three-position terminal:

- BLACK (LINE)
- WHITE (NEUTRAL)
- GREEN (GRD)

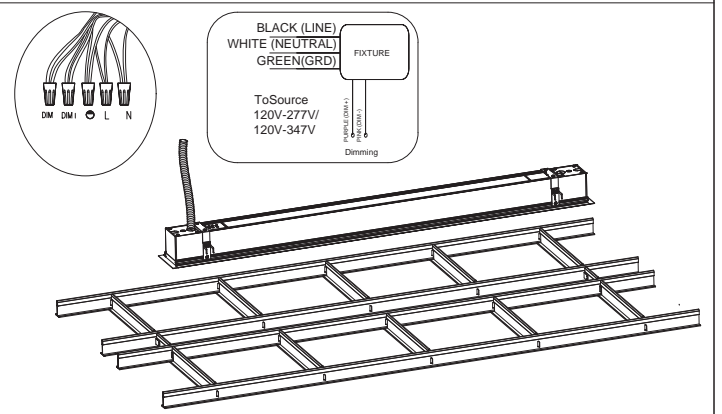
Two terminal:

- PURPLE (DIM +)
- PINK (DIM -)



1. After cutting off the connecting terminals, the lighting fixture will no longer be able to link with other fixtures through terminals.
2. After cutting the wires, please ensure proper protection and labeling, and avoid using them for secondary wiring.

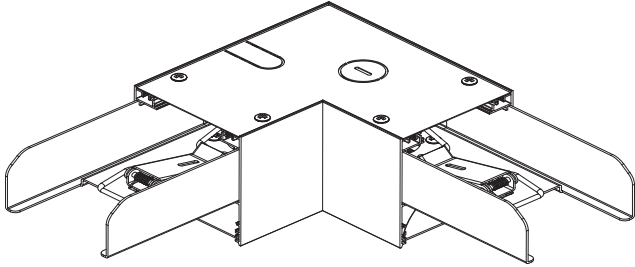
4. Connect the AC cable of the luminaire to the mains power and place the luminaire into the ceiling grid.



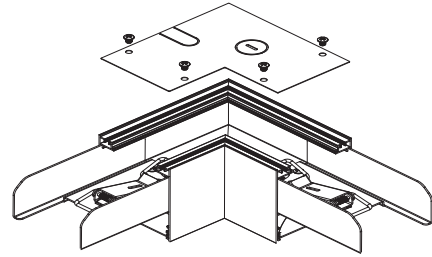
Architectural LED Linear Fixture

L-shaped Corner Installation instructions

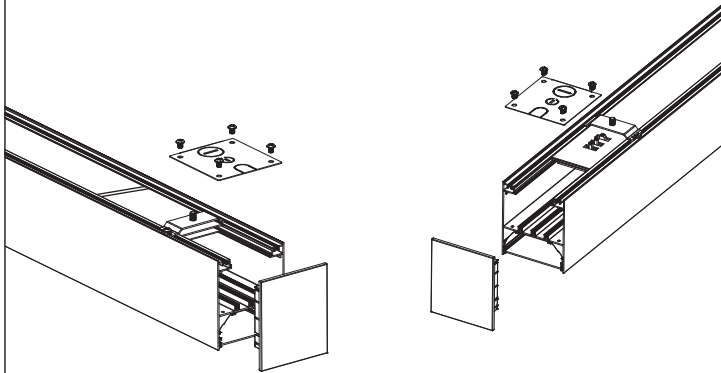
Accessories List



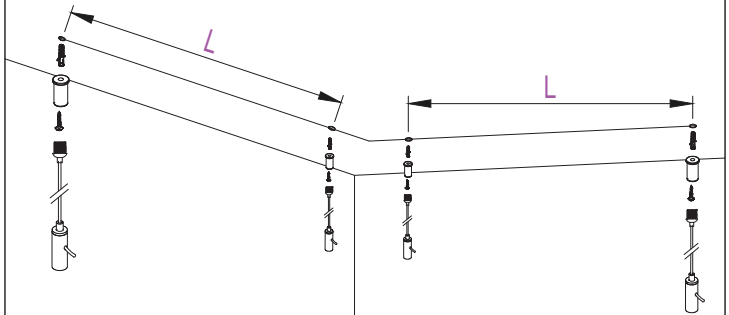
1. Use a screwdriver to remove the screws, and remove the L-shaped splicing piece and the rear cover plate.



2. Use a screwdriver to remove the screws, remove the side cover and upper cover of both ends of the lamp to be spliced.

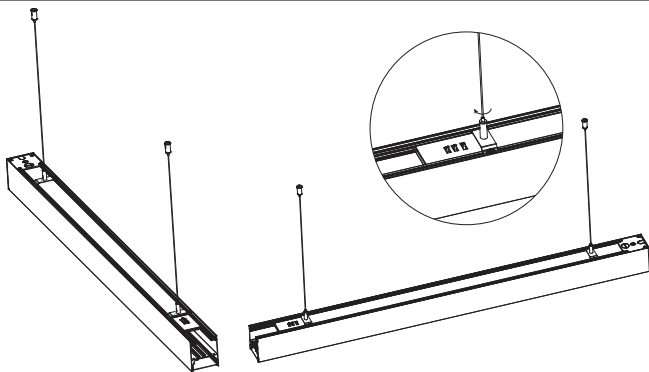


3. Fixing the hook and suspending the lamp..

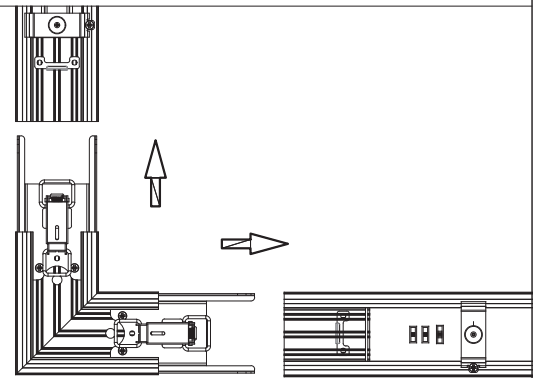


L=2FT:17.32"(440mm)
4FT:41.34"(1050mm)
8FT:89.37"(2270mm)

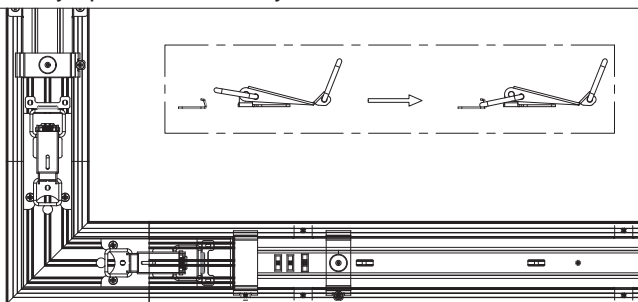
4. Use the rope to tighten the M5 screw thread to fix the lamp on the ceiling.



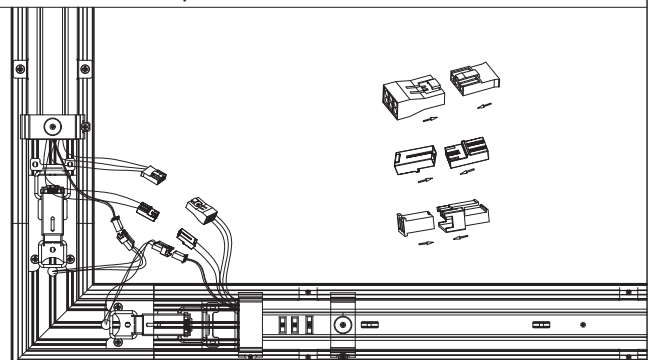
5. Insert the L-shaped splicing piece into the lamp to be spliced in turn.



6. Attach the tension lock on the L-shaped splicing piece to the hook on the lamp, and then pull it tight. The lamp can be successfully spliced in this way.

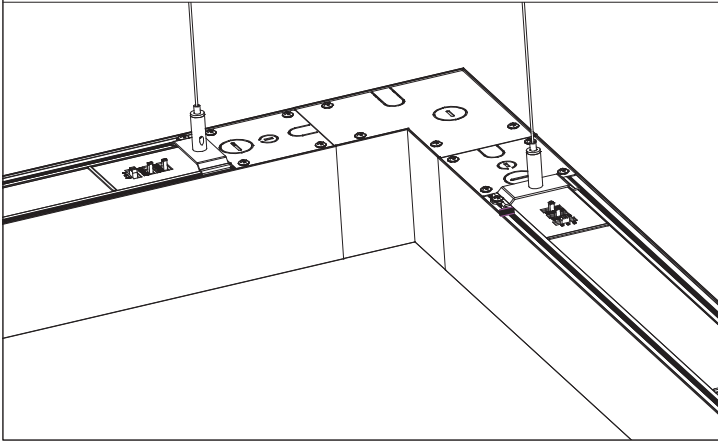


7. Connect the symmetrical terminals and insert the wires and terminals into the lamp interior.

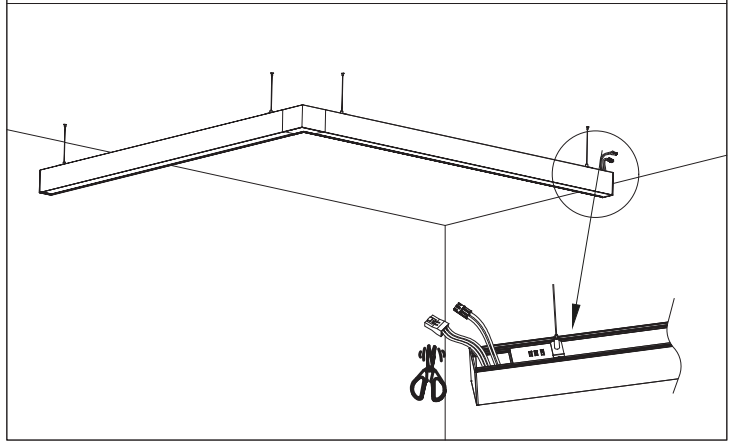


Architectural LED Linear Fixture

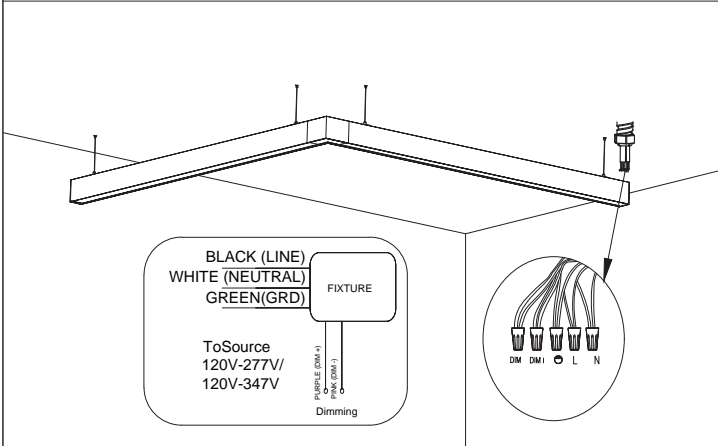
8.Lock the screws in the original position.



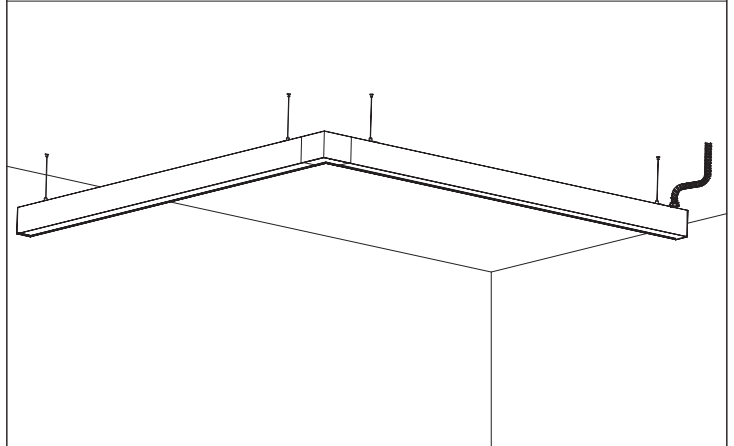
9.Cut off one end of the terminal as required for wiring.



10.Connect the wire as required.

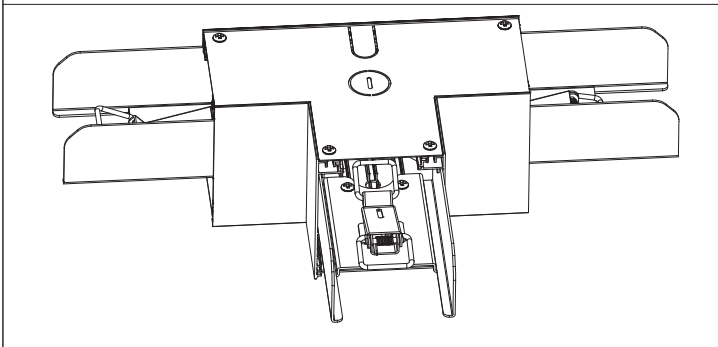


11.Installation completed, light trial run.

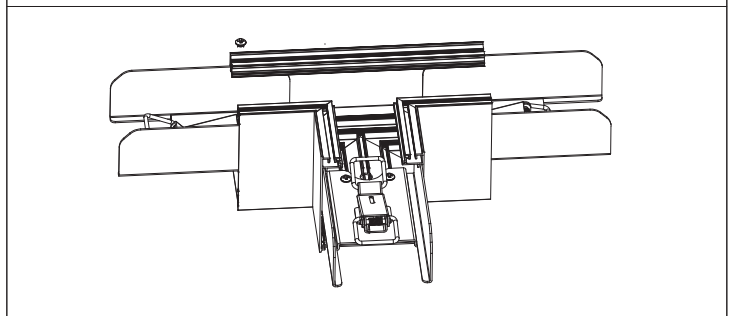


T-shaped Corner Installation Instructions

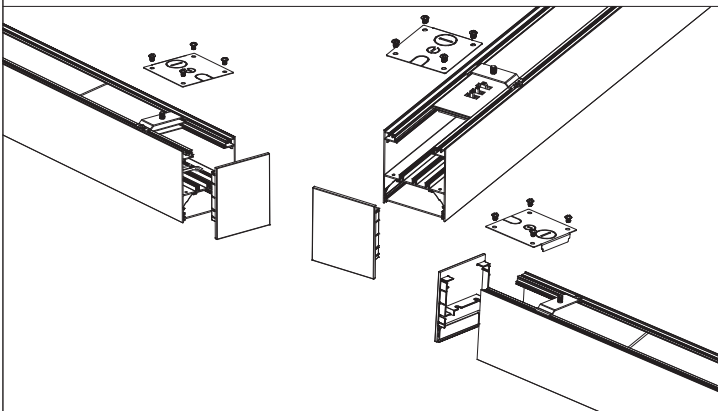
Accessories List



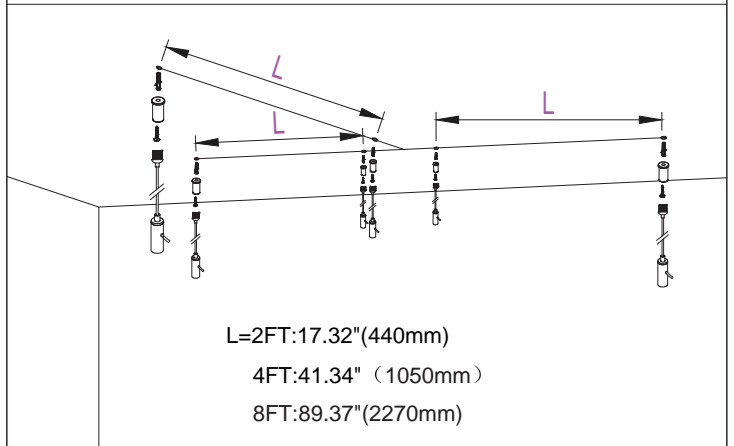
1.Use a screwdriver to remove the screws, and remove the L-shaped splicing piece and the rear cover plate .



2.Use a screwdriver to remove the screws, remove the side cover and upper cover of both ends of the lamp to be spliced.

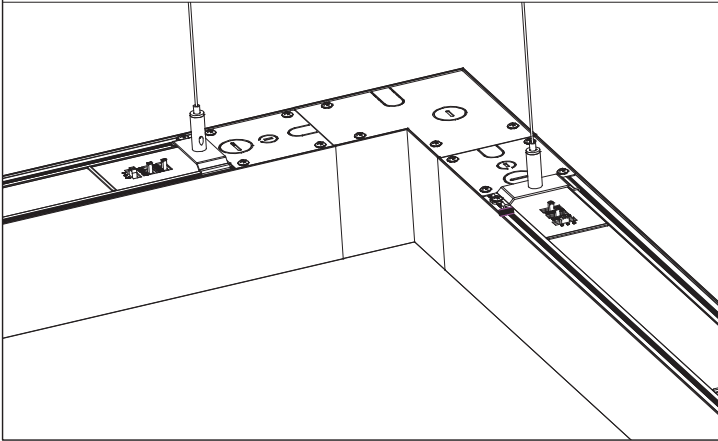


3.Fixing the hook and suspending the lamp..

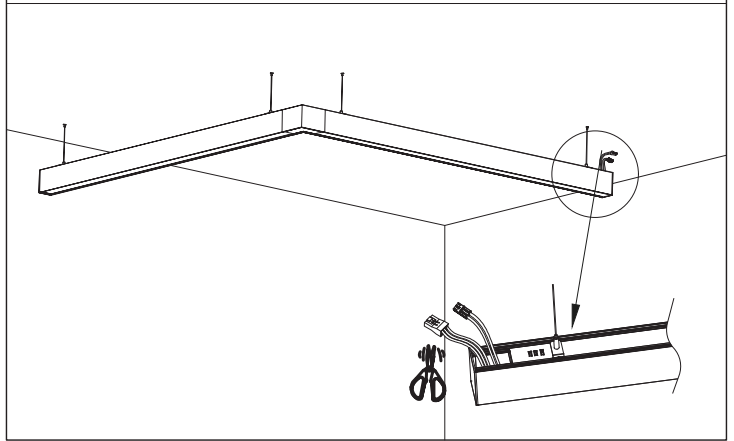


Architectural LED Linear Fixture

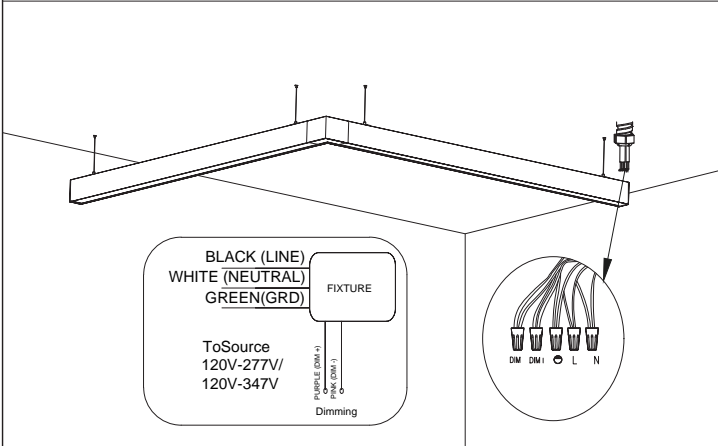
8.Lock the screws in the original position.



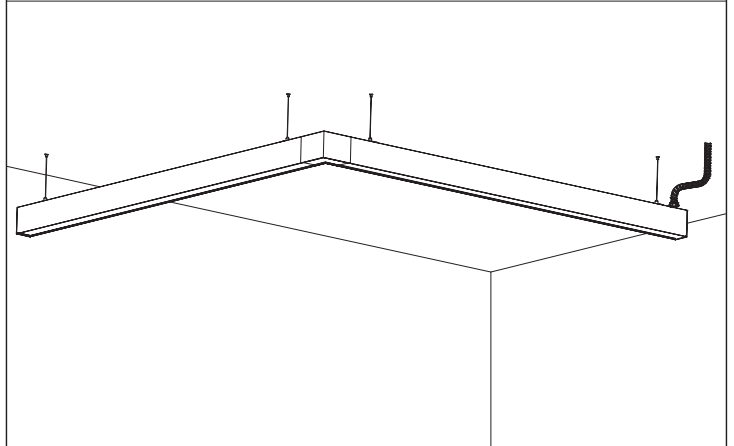
9.Cut off one end of the terminal as required for wiring.



10.Connect the wire as required.

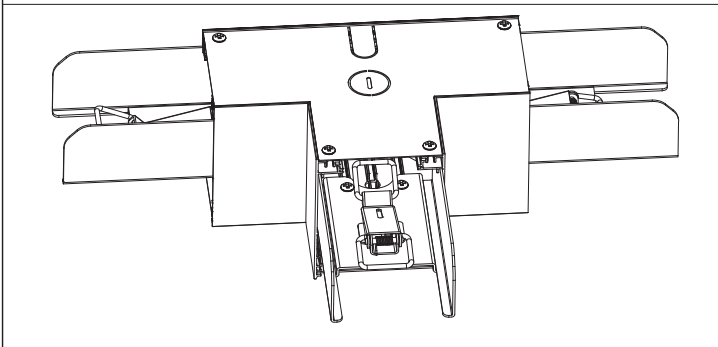


11.Installation completed, light trial run.

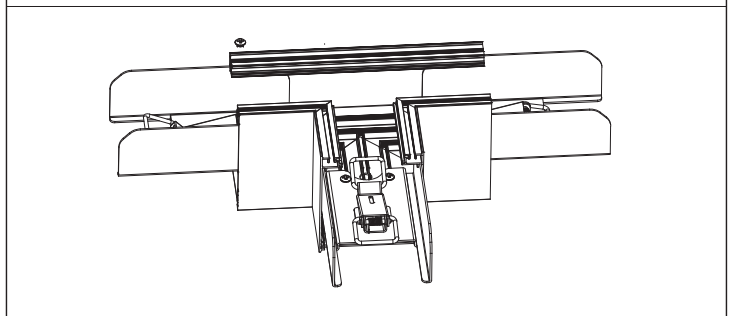


T-shaped Corner Installation Instructions

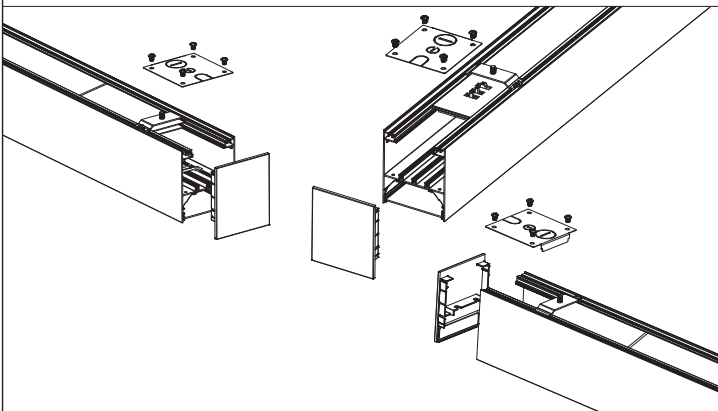
Accessories List



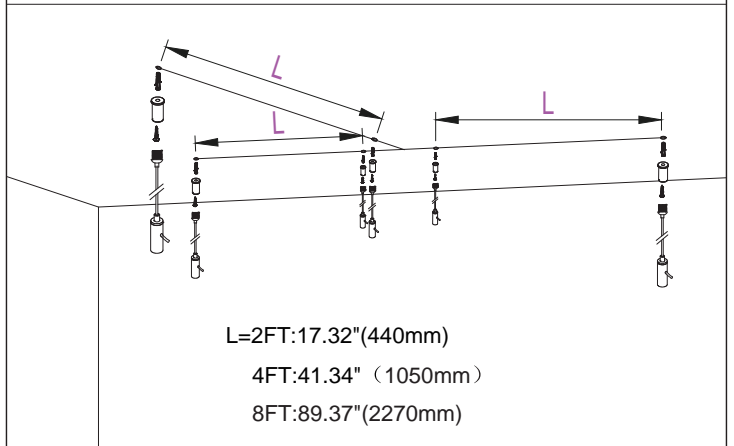
1.Use a screwdriver to remove the screws, and remove the L-shaped splicing piece and the rear cover plate .



2.Use a screwdriver to remove the screws, remove the side cover and upper cover of both ends of the lamp to be spliced.

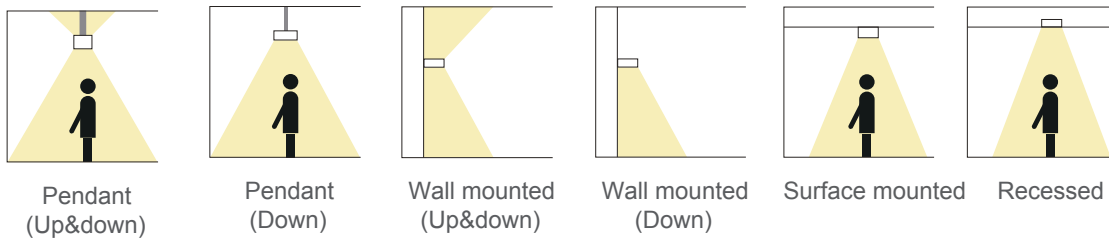
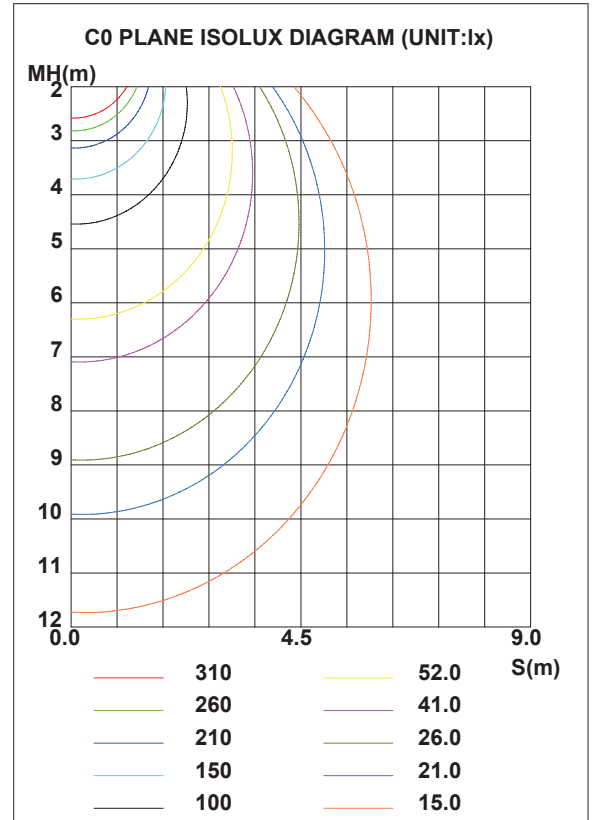
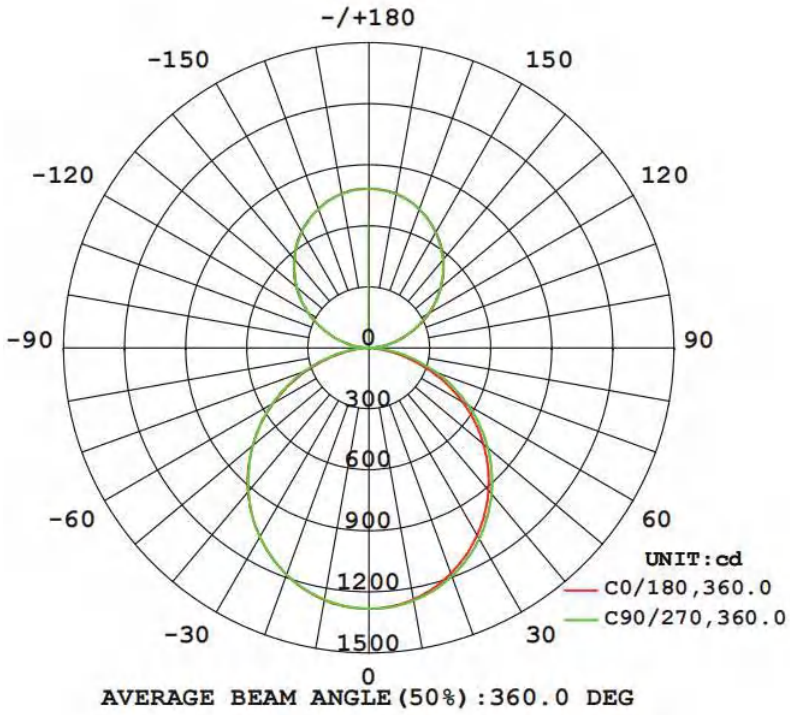


3.Fixing the hook and suspending the lamp..



Architectural LED Linear Fixture

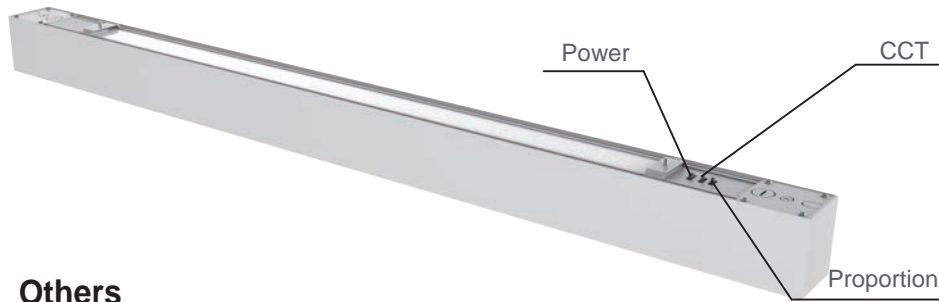
Testing Report



Provides lighting distribution options of 70% Downlight 30% Uplight, 90% Downlight 10% Uplight, 100% Downlight.

Architectural LED Linear Fixture

Switches Plate



Others

The following multiple functions can be achieved according to customers' requests

- 1.Remove or turn off the emergency battery when testing the luminous efficacy.
- 2.Available with external or built-in microwave motion sensor
- 3.Emergency: the power is 8W, it can still work in 1.5hrs while emergency situation.
- 4.Remove or turn off the emergency battery when testing the luminous efficacy.

Accessories



Features:

Slim shape, easy to install

Built-in Lithium Battery

Self Testing

Constant output power(Auto-sensing output within each range)

Battery protections:over charge protection,over discharge protection,short circuit protection

UL listed for factory and field installation-UL 924 and CSA C22.2 NO.141

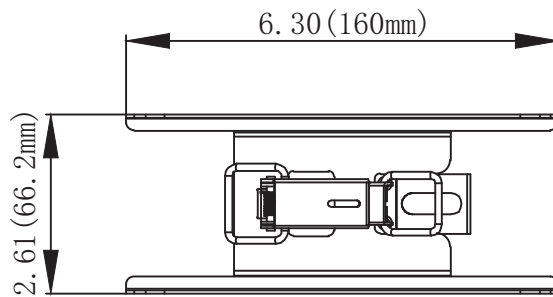
High-efficiency for CEC Compliance and US DOE.

Emergency Driver

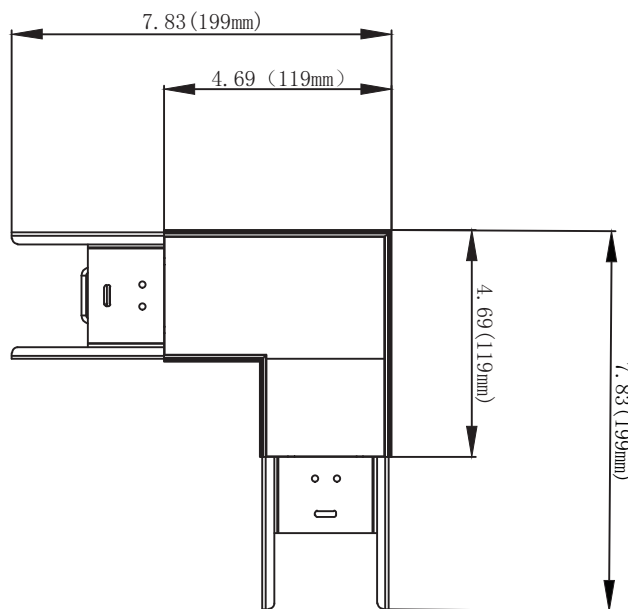
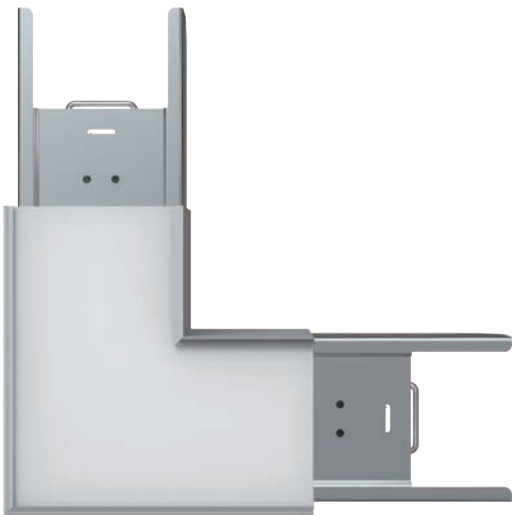
Architectural LED Linear Fixture

Accessories

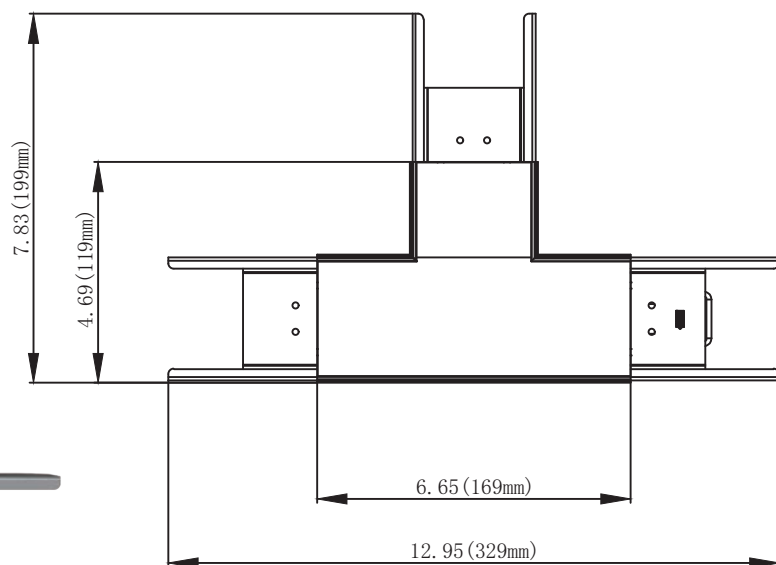
“—”joiner



“L”joiner

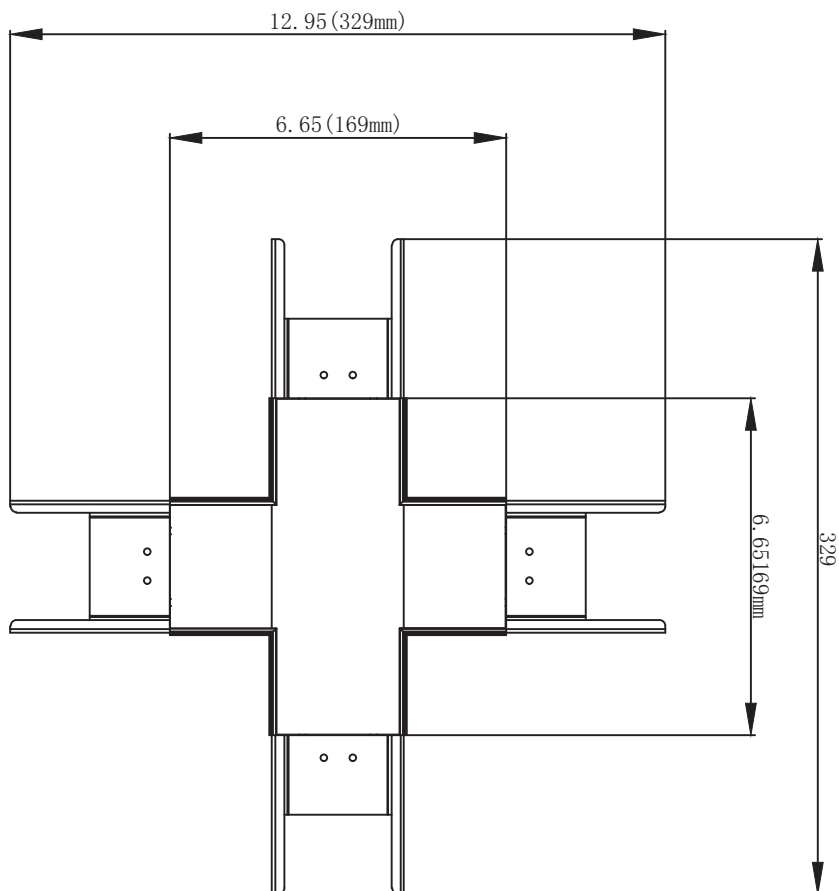
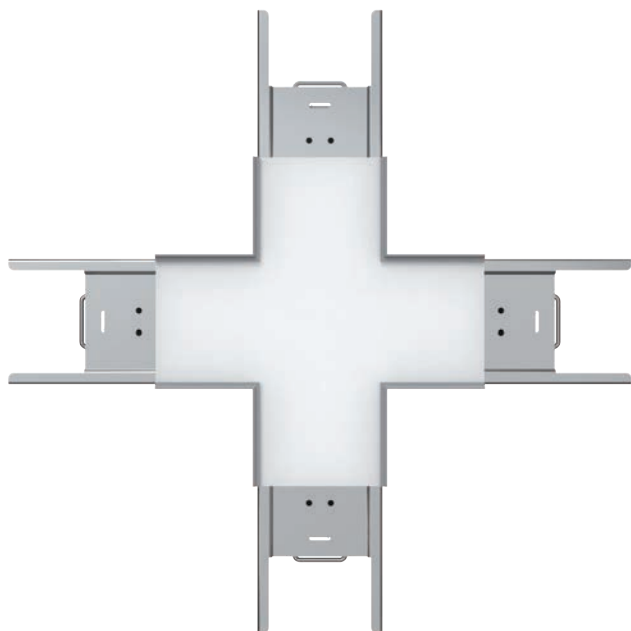


“T”joiner

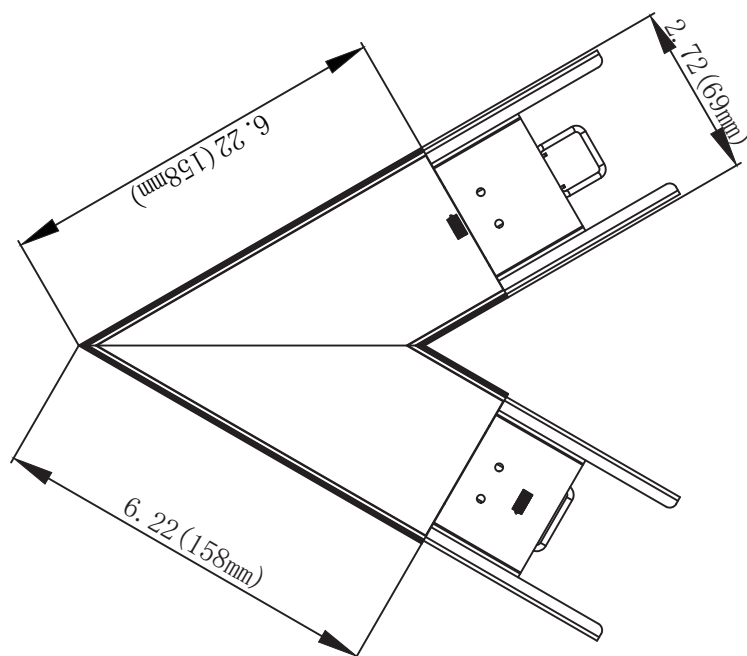


Architectural LED Linear Fixture

“X” joiner

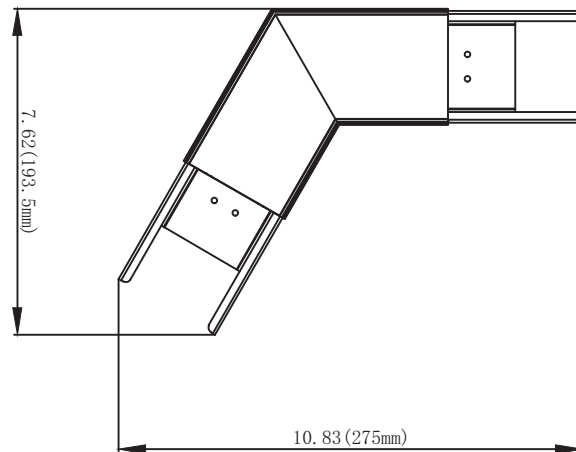


“V60” joiner

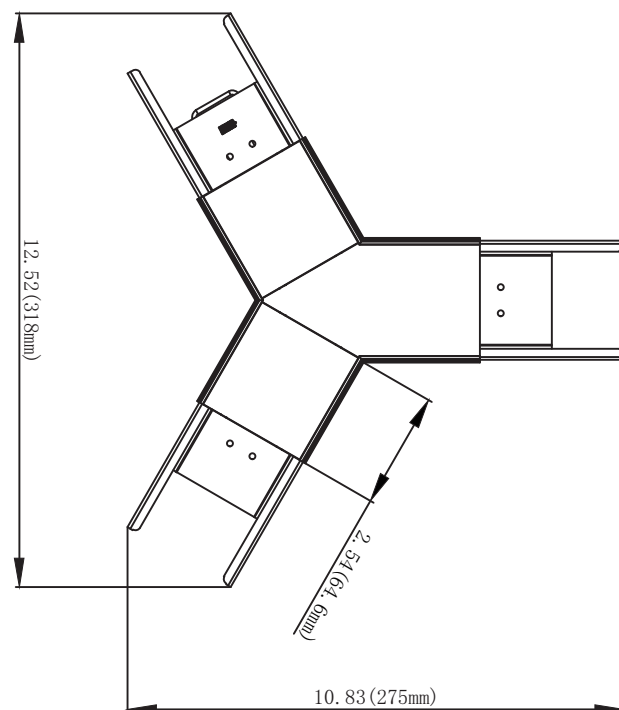


Architectural LED Linear Fixture

“V120”joiner

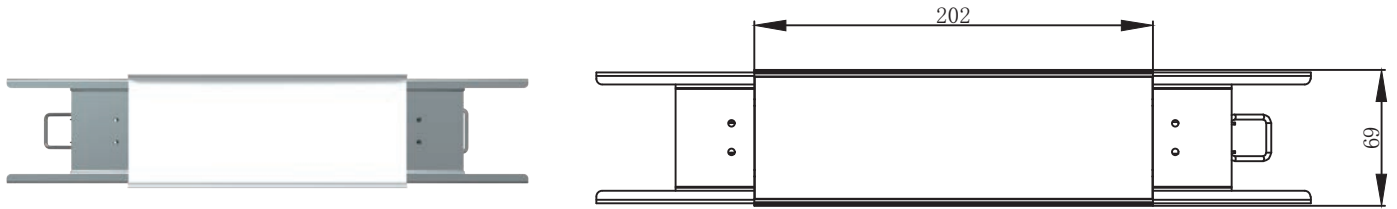


“Y”joiner












Architectural LED Linear Fixture

“I” joiner



Accessories

 <p>Surface-mounted kits SZ-ALF-SMA</p>	 <p>Aircraft Cable SZ-ALF-LR</p>	 <p>Emergency Driver SZ-EMXXW-PL SZ-EMXXW-PL (02)</p>	 <p>Roll-out Lens SZ-ALF-Cover (M)</p>
 <p>Wall Mount Kits SZ-ALF-WM (02) White</p>	 <p>Cable Black SZ-ALF-Cable (Black)</p>	 <p>Cable White SZ-ALF-Cable (White)</p>	
	 <p>Recessed Mounting Kits SZ-ALF-RMK (02)</p>		
	 <p>Recessed Mounting Lace Kits SZ-ALF-RMLK (02) (Z)</p>		

Architectural LED Linear Fixture

Packing /weight

Catalog Number	Outer box (L*W*H)	Qty/CTN (pcs)	N.W (lbs/kg)	G.W./CTN (lbs/kg)	Remark
2FT	635*320*332mm 24.99*12.59*13.07"	12	35.97/16.32	39.28/17.82	With inner box
4FT	1209*320*332mm 57.59*12.59*13.07"	12	56.87/25.8	61.28/27.80	
8FT	2357*244*228mm 92.79*9.6*8.97"	6	51.98/23.58	57.49/26.08	