

# LED Track Light

## Multi-Function Track Light

### Overview

LED commercial track light, die-casting aluminum lamp body and good heat sink.

Juno or Halo adapter is available.

Multi-function design: adjustable beam angle from 15 ~55°, 5CCT



Adapter

Accessories (Optional)



DALI (4 wires)



4-Wire Surface Mounted Track



Ceiling box

### Features

#### Body

Die-casting aluminum body. Variable focus zoom lens 15°~55°.

#### LED Characteristics

COB chip ,CRI90, higher lumen output.

CCT range 27K/30K/35K/40K/50K color temperature.

#### Dimming

100%-10% dimming capability. This fixture is compatible with most of LED TRIAC/ELV dimmers.

#### LED Driver

UL listed LED driver with 120-277V, 60Hz AC input. Triac dimming at 120V.

#### Environment

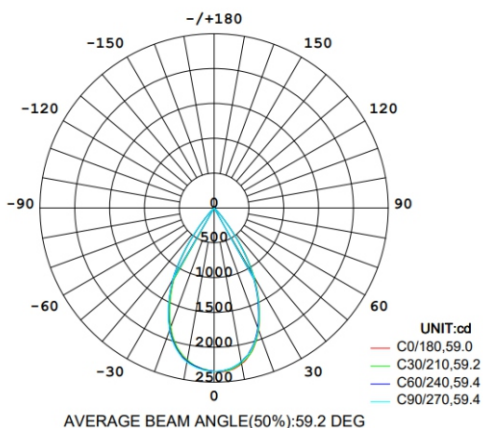
- Suitable for damp locations.
- Approved for direct contact with insulation.

### Specifications

Product Number	LED Power	Input Voltage	Size	Light Source Code	>CRI	CCT	Lumen (Ra90)	Beam Angle (BA°)	Dimmer	Housing Color
SZ-TRC20W-CCT-2D	20W	120-277VAC	2.76 *L6.91in	COB	90	2700K 3000K 3500K 4000K 5000K	1600LM	15°-55°	Triac 0-10V	Black White

### Photometric Diagrams

Input Voltage (VAC)	120-277
Power Factor	0.905
System Level Power (W)	20
Delivered Lumens (Lm)	1605.6
System Efficacy	80.2
Correlated Color Temp (K)	3500
Color Rendering Index (CRI)	90
Beam Angle	59.2



### Packing/Weight :

Model	Inner Carton			Outer Carton			Set	N.W (lbs/kg)	G.W (lbs/kg)
	Length	Width	Height	Length	Width	Height			
SZ-TRC20W-CCT-2D	4.92"	3.74"	10.24"	25.39"	10.83"	15.75"	20PCS	38.3/17.4	40.5/18.4

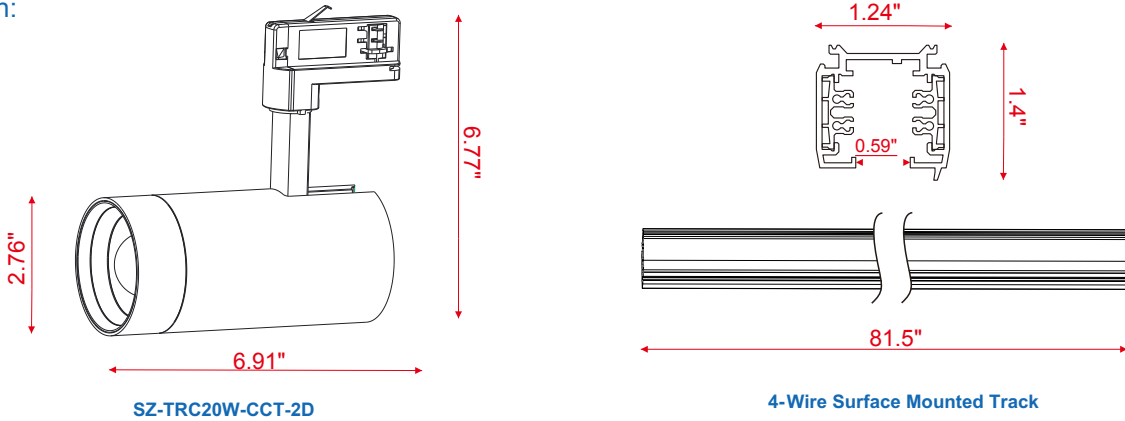
# LED Track Light

## Dimming

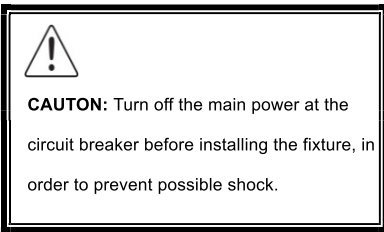
Dimming Range 10%-100%

Brand	Model of Compatible Dimmer				
LUTRON	SCL-153P	CTCL-153PMA	DVCL-153PAY		
	MACL-153P	CL-153M-LA	STCL-153PH-WH	DVSTV-WH(0-10V)	NTSTV-DV(0-10V)
LEVITON	6674-PO	66672-1L	DW6HD-2RW	IP106-10	IP710-DL(0-10V)
Phillips/Signify	SR1200ZTUNV(0-10V)				

## Dimension:

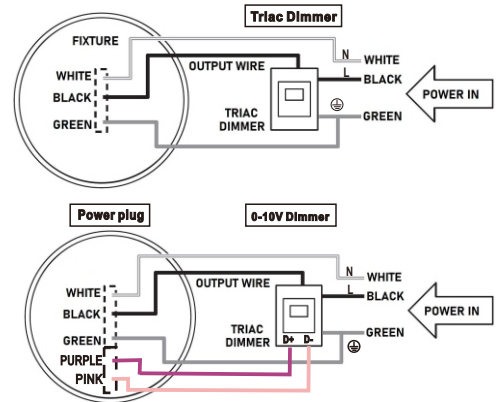


## Installation Guide



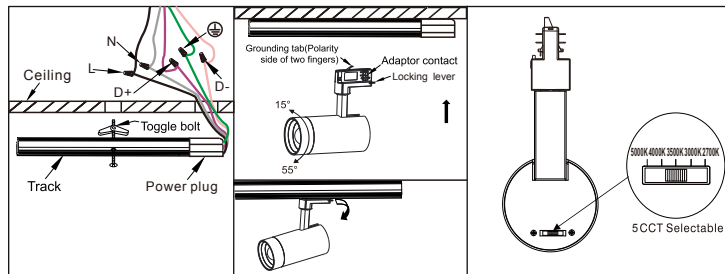
### Electrical Schematic Diagram

**NOTICE:** Dimming performance depends on dimmer, dimmer settings (for dimmers with brightness range adjustments), wiring methods, and the number of led fixtures (Total Power of Lights <80% of the Rated Power of the Dimmer).



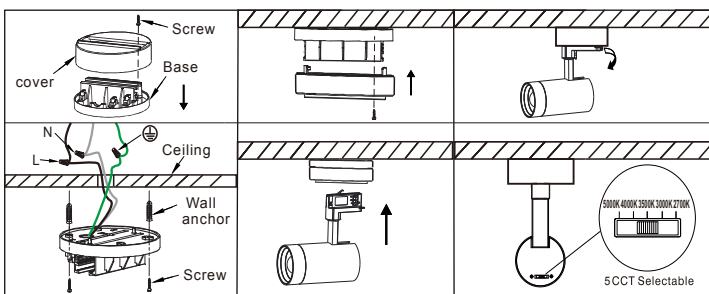
## Installation Steps (A):

1. With the power disconnected, first connect the wires from the power supply and dimmer to the power connector of the track bar accordingly. Then secure the track bar to the ceiling using expansion bolts and screws.
2. When installing the light fixture, toggle the locking lever on the track head to the "OFF" position, then insert the "Adapter Contact" into the slot in the track.
3. Next, toggle the locking lever on the track head to the "ON" position to lock the fixture and complete the circuit connection.
4. If you need to reposition the light fixture, simply toggle the locking lever on the track head back to the "OFF" position to remove the light body, move it to the desired position, and reinstall it.
5. After installation is complete, you can adjust the color temperature by toggling the CCT (Correlated Color Temperature) switch as needed. Once adjusted, turn on the power for normal use.



## Installation Steps (B):

1. First, use a screwdriver to remove the mounting screws of the ceiling junction box, and separate the cover from the base. Then, feed the power supply wires through the base, and secure them to the designated terminal positions as required. Finally, use screws and wall anchors to fix the base to the ceiling.
2. After securing the cover to the base of the ceiling junction box with screws, set the locking lever of the track head to the OFF position, then insert the adapter contacts into the slots of the ceiling junction box.
3. Next, toggle the locking lever on the track head to the "ON" position to lock the fixture and complete the circuit connection.
4. After installation is complete, you can adjust the color temperature by toggling the CCT (Correlated Color Temperature) switch as needed. Once adjusted, turn on the power for normal use.



### RISK OF ELECTRIC SHOCK

- All electrical connections must be in accordance with local and National Electric code (N.E.C.) standards.
- Obtains the service of a qualified electrician.

### RISK OF FIRE

- Keep combustibles and other materials that may burn away from lights.
- Do not operate fixture at temperature higher than 104°F.