

LED Wall Pack



SZ-WP80/60/40W-HP-ACP



SZ-WP120/100/80W-HP-ACP (PC)



SZ-SWP150W-HP-ACP



SZ-WP200WA-5000K (ACP)

LED wall packs are your first choice for wall-mounted lighting projects. 3 IN 1 switch is selectable for lighting direction, CCT, wattage. and photocell control. photocell can automatically turn off at sunrise or during the day, and automatically light up at sunset or night. Application: Pathways, Hospitality, Walkways, Hallways, Outdoor Commercial, Outdoor Residential.



Catalog Number	Description	Angle	Lumens	Max Watts	Watts	CCT	Cover	Voltage
SZ-WP80/60/40W-HP-ACP	LED Wall Pack Light	80°x110	10400 Lm	80W	Adjustable 40W/60W/80W	Adjustable 4000K/5000K/6000K	Glass	120V - 277V Optional 120-347V
SZ-WP120/100/80W-HP-ACP (PC)	LED Wall Pack Light	75°x115	15600 Lm	120W	Adjustable 80W/100W/120W	Adjustable 3000K/4000K/5000K	PC	120V - 277V Optional 120-347V
SZ-SWP150W-HP-ACP	LED Wall Pack Light	Type IV	18000 Lm	150W	Adjustable 100W/120W/150W	Adjustable 4000K/5000K/6000K	Glass	120V - 277V Optional 120-347V
SZ-WP200WA-5000K (ACP)	LED Wall Pack Light	120	26000 Lm	200W	Adjustable 150W/180W/200W	Adjustable 4000K/5000K/6000K	PC	120V - 277V Optional 120-347V

Accessories (Optional)



SZ-EMXXW-Y-WP
Emergency Driver



SZ-EMXXW-Y-WP (02)
Emergency Driver

LED Wall Pack

Specifications

Housing

Sealed die-casting profile for outdoor applications.

Electrical

Standard 120V - 277V, Optional 120-347V
0-10V dimming standard with a dimming range of 100% to 10%. PF > 0.9. Surge protection: 6KV. with Photocell

CCT and CRI

Adjustable 3000K/4000K/5000K or 4000K/5000K/6000K. CRI 70 .

Cover

PC or Glass

Operating Temperature

Suitable for use in -40° C to 45° C (-40° F to 113° F).

Efficacy

Up to 130 lumens per watt.

Lifespan

L70 >50,000 Hours at 25°C (77°F).

Certifications

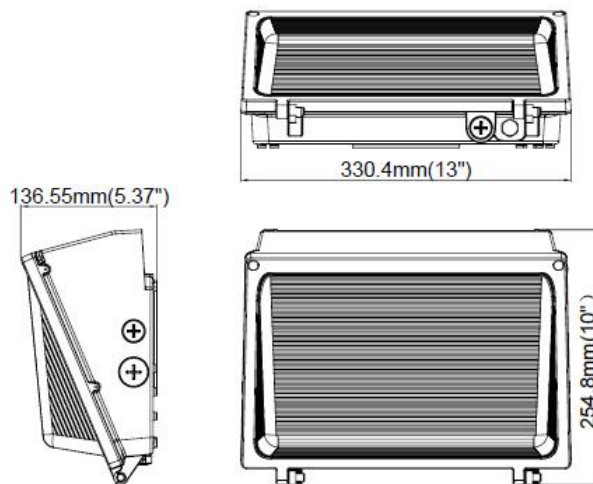
UL Listed for wet locations, DLC5.1, FCC compliant, IP65 rated.

Warranty

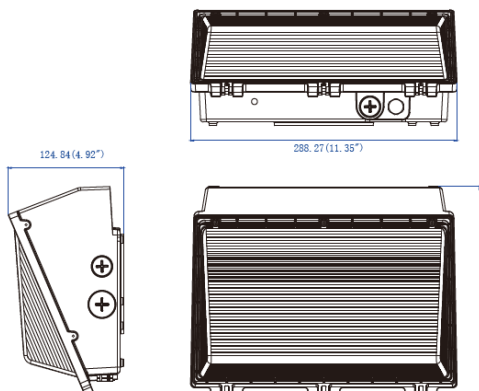
5-year limited warranty.

Dimension:

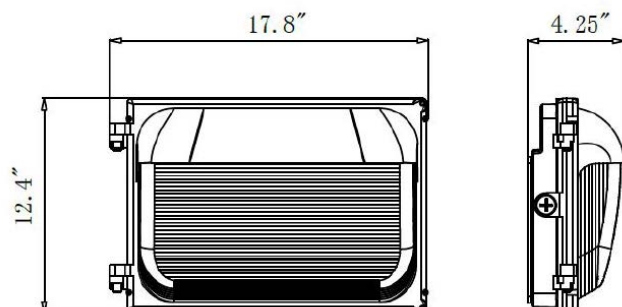
SZ-WP80/60/40W-HP-ACP



SZ-WP120/100/80W-HP-ACP (PC)

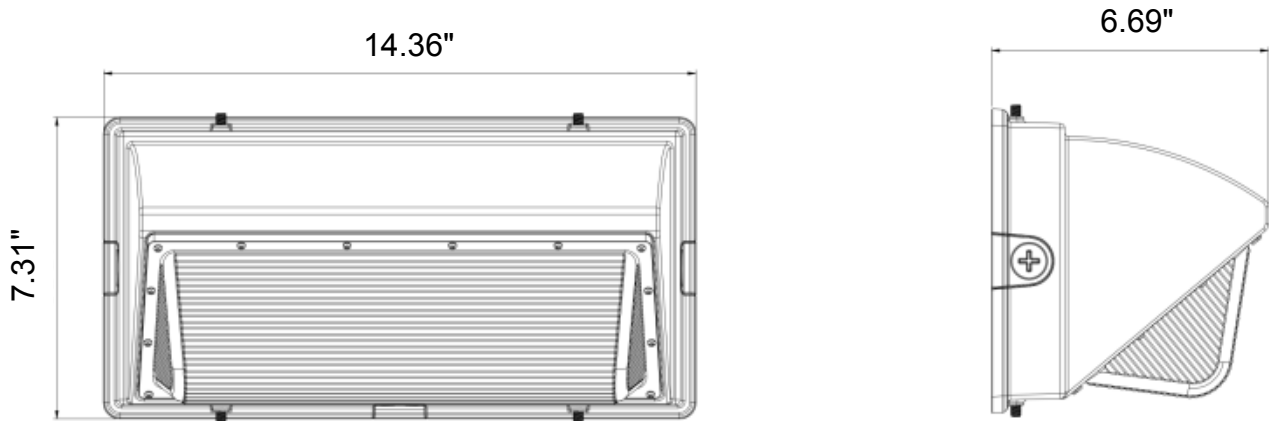


SZ-SWP150W-HP-ACP



LED Wall Pack

SZ-WP200WA-5000K (ACP)



Packing/Weight:

Model	Outer box (L*W*H)	Qty/CTN (pcs)	N.W./CTN (lbs/kg)	G.W./CTN (lbs/kg)	Remark
SZ-WP80/60/40W-HP-ACP	14.76*11.81*7.36" 375*300*187mm	1	7.7/3.5	8.8/4.0	
SZ-WP120/100/80W-HP-ACP (PC)	11.85*6.65*16.46" 301*169*418mm	2	7.7/3.5	9.0/4.1	
SZ-SWP150W-HP-ACP	19.88*12.91*15.35" 505*327*390mm	2	27.7/12.6	31.2/14.2	
SZ-WP200WA-5000K (ACP)	15.75*9.06*8.46" 400*230*215mm	1	8.8/4.0	9.9/4.5	