

LED Wall Pack



LED wall packs are your first choice for wall-mounted lighting projects. 3 IN 1 switch is selectable for lighting direction, CCT, wattage. and photocell control. photocell can automatically turn off at sunrise or during the day, and automatically light up at sunset or night. Application: Pathways, Hospitality, Walkways, Hallways, Outdoor Commercial, Outdoor Residential.



Catalog Number	Description	Angle	Lumens	Max Watts	Watts	CCT	Voltage
SZ-SWP30W-HP-ACP	LED Wall Pack Light	Semi-Cutoff	3600 Lm	30W	Adjustable 18W/25W/30W	Adjustable 3000K/4000K/5000K	120V - 277V Optional 120-347V

Accessories (Optional)



SZ-EMXXW-Y-WP
Emergency Driver



SZ-EMXXW-Y-WP (02)
Emergency Driver

LED Wall Pack

Specifications

Housing

Sealed die-casting profile for outdoor applications.

Electrical

Standard 120V - 277V, Optional 120-347V
0-10V dimming standard with a dimming range of 100%to 10%. PF > 0.9. with Photocell

CCT and CRI

Adjustable 3000K/4000K/5000K CRI 70

Cover

PC

Operating Temperature

Suitable for use in -40° C to 45° C (-40° F to 113° F).

Efficacy

Up to 120 lumens per watt.

Lifespan

L70 >50,000 Hours at 25°C (77°F).

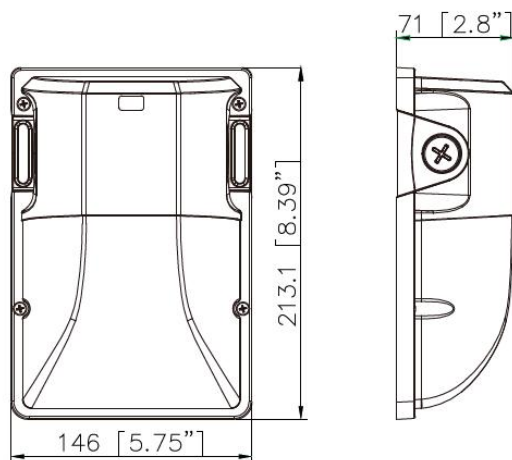
Certifications

UL Listed for wet locations, FCC compliant, IP65 rated.

Warranty

5-year limited warranty.

Dimension:



Packing/Weight:

Model	Outer box (L*W*H)	Qty/CTN (pcs)	N.W./CTN (lbs/kg)	G.W./CTN (lbs/kg)	Remark
SZ-SWP30W-HP-ACP	16.93*12.91*18.5" 430*328*470mm	20	33.7/15.3	9.9/16.8	