

LED Garden Light



LED Garden light features outstanding photometric performance uniform illumination, low-profile design, high efficacy, long lifespan, and easy installation. The one piece die-cast aluminum housing with UV resistant powder coat finish offers outstanding corrosion protection, A low profile, artful design adds a distinctive look in any outdoor application, Ideal for both large-scale municipal and institutional projects, such as parking lots, walkways, roadways, campuses, grocery stores and other public areas.



the light will shine downwards, and provide no glare/light upwards.



Catalog Number	Description	Angle	Lumens	Watts	CCT	Voltage
SZ-GL60W02-P-ACP	LED Garden Light	120°	8400 Lm	Adjustable 20/30/40/50/60W	Adjustable 3000K/4000K/5000K	120V - 277V Optional 120-347V
SZ-GL150W02-P-ACP	LED Garden Light	120°	21000 Lm	Adjustable 70/80/100/120/150W	Adjustable 3000K/4000K/5000K	120V - 277V Optional 120-347V

ORDERING GUIDE

Example: SZ-GL150W2-ACP

Company Code	Fixture Type	Wattage	Q2	Voltage	Sensor	ACP
<input type="text"/>	<input type="text"/>	<input type="text"/>	<input type="text"/>	<input type="text"/>	<input type="text"/>	<input type="text"/>
SZ Company Name	GL Garden Light	60W 150W	Generation 2	Blank 120-277V MV 120-347V	P Photocell Blank no Sensor	ACP Adjustable CCT and Power 60W: 20/30/40/50/60W 3000K/4000K/5000K 150W: 70/80/100/120/150W 3000K/4000K/5000K

LED Garden Light

Specifications

Housing

Sealed die-casting profile for outdoor applications.

Electrical

Standard 120V - 277V, Optional 120-347V
0-10V dimming standard with a dimming range of 100%to 10%. PF > 0.9. Surge protection: 6KV.
With Photocell

CCT and CRI

Adjustable3000K/4000K/5000K. CRI 70.

Angle

Standard 120°

Operating Temperature

Suitable for use in -40° C to 45° C (-40° F to 113° F).

Efficacy

Up to 140 lumens per watt.

Lifespan

L70 >50,000 Hours at 25°C (77°F).

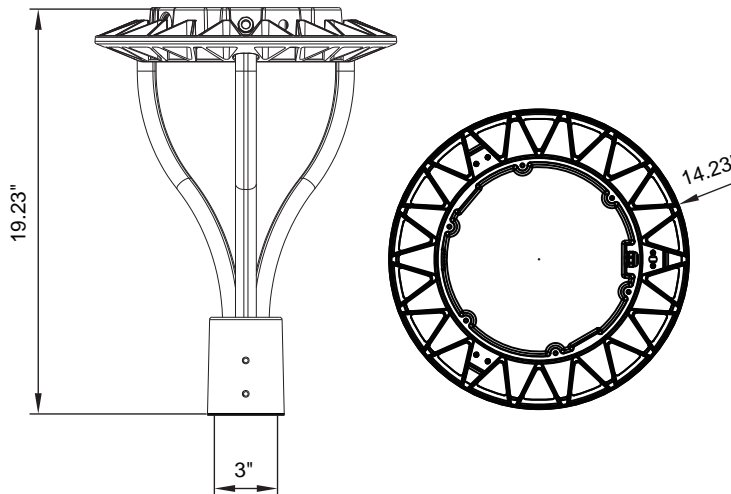
Certifications

UL Listed for wet locations, DLC5.1,FCC compliant, IP65 rated.

Warranty

5-year limited warranty.

Dimension:



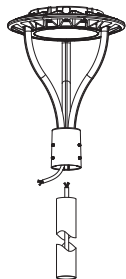
Packing/Weight:

Model	Outer box (L*W*H)	Qty/CTN (pcs)	N.W./pcs (lbs/kg)	G.W./CTN (lbs/kg)	Remark
SZ-GL60W02-P-ACP	15.94*15.94*20.9" 405*405*530mm	1	10.05/4.57	11.92/5.42	
SZ-GL150W02-P-ACP					

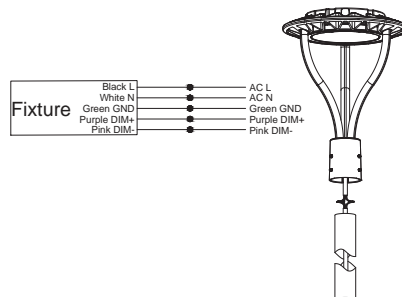
LED Garden Light

INSTALLTION INSTRUCTION:

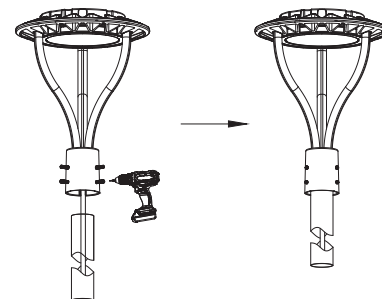
1. Pass the leads of the lights through the stem, then fix the stem with the lamp, as shown below.



2. Turn off power, and make wiring connections with terminal cap (see wiring instruction below), as shown below.

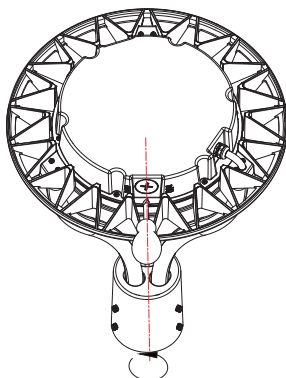


3. Pass the leads of the light through the tenon pole, then using screws to fix it, as shown below.

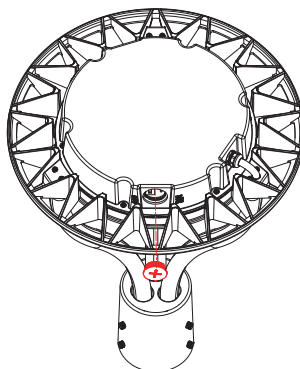


ADJUST POWER AND COLOR TEMPERATURE INSTALLATION

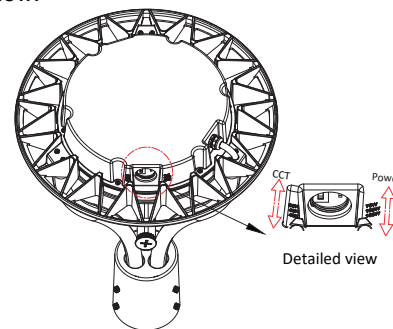
1. Use a screwdriver to remove the fixing screws, as shown below.



2. Remove the fixing screws and cover plate, as shown below.



3. Flip the color temperature switch to the desired color temperature, flip the power switch to the desired wattage, as shown below.



4. Restore the installation in the order of Step 21e, as shown below.

