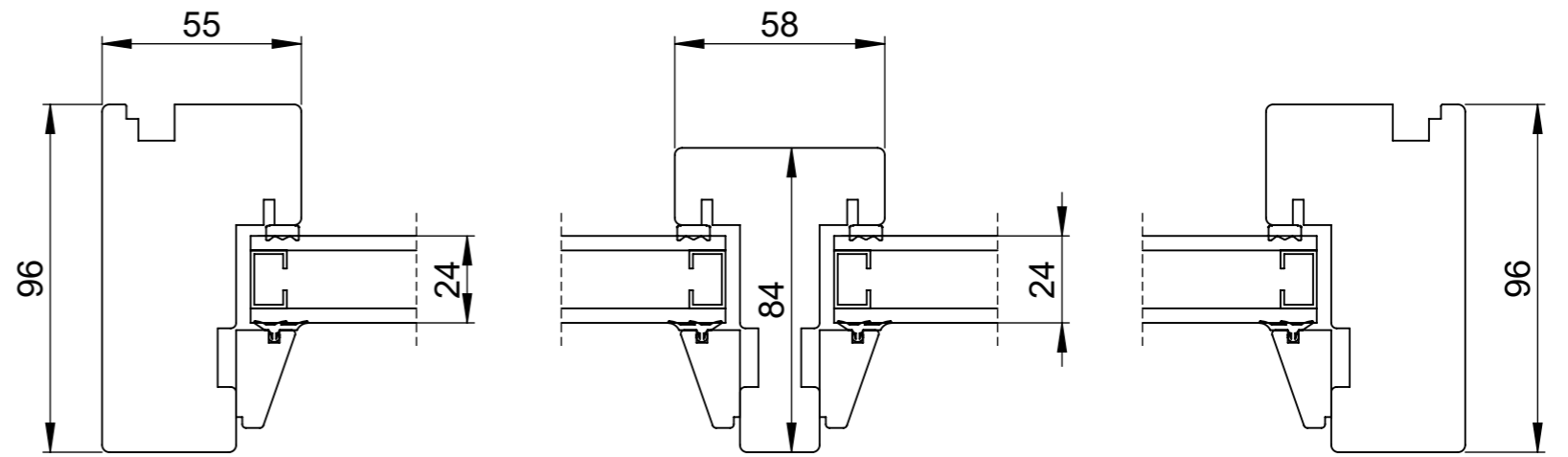
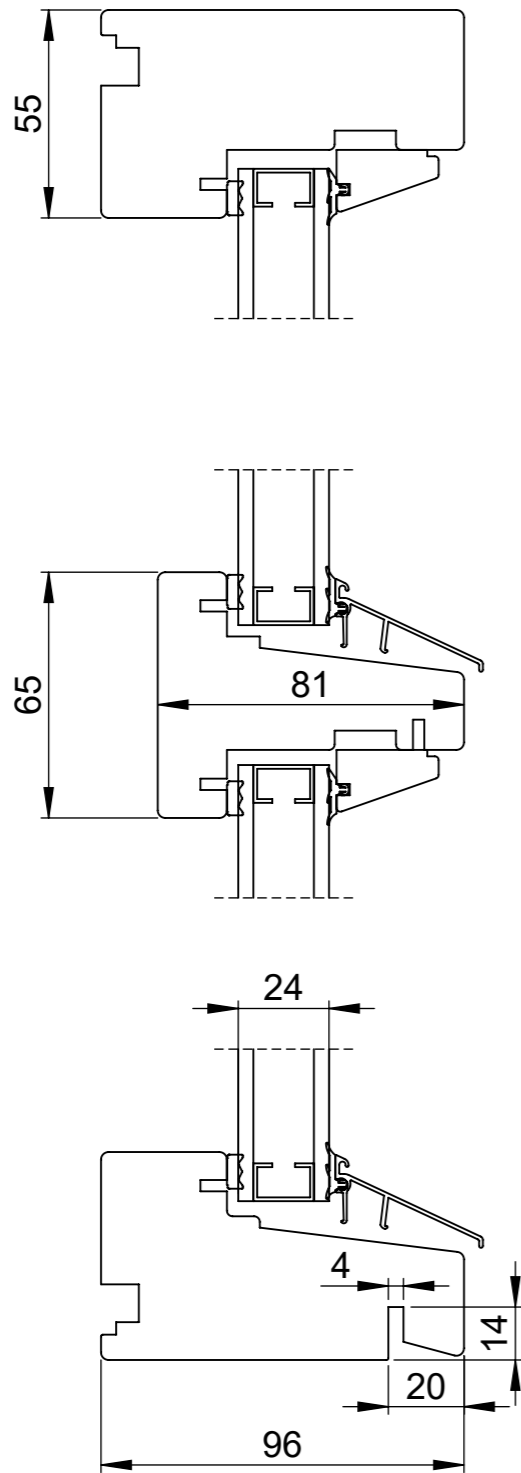


We reserve all rights in this document and in the information contained therein.
 Reproduction, use or disclosure to third parties without express authority is strictly forbidden.
 INWIDO



Rev.	ECM	Description	Rev. by	Date

Product Category		Product Platform		
Structural Elements		Lyssand - Window		
Product Type				
Frame				
Designed by	Designed date	Approved by	Approved date	Processing code
MJ	2025-10-17			
Material		Tolerances unless otherwise specified		
LYSSAND		Tol medium		
FREKHAUC		View orientation		
Lyssand 96, 2 - lag		E		
Snittegning fastkarm med post og losholt		Scale		
		1:2		
		Revision		
		(A)		
		Article Number		
		Drawing Number		
		LY96-Window-8		