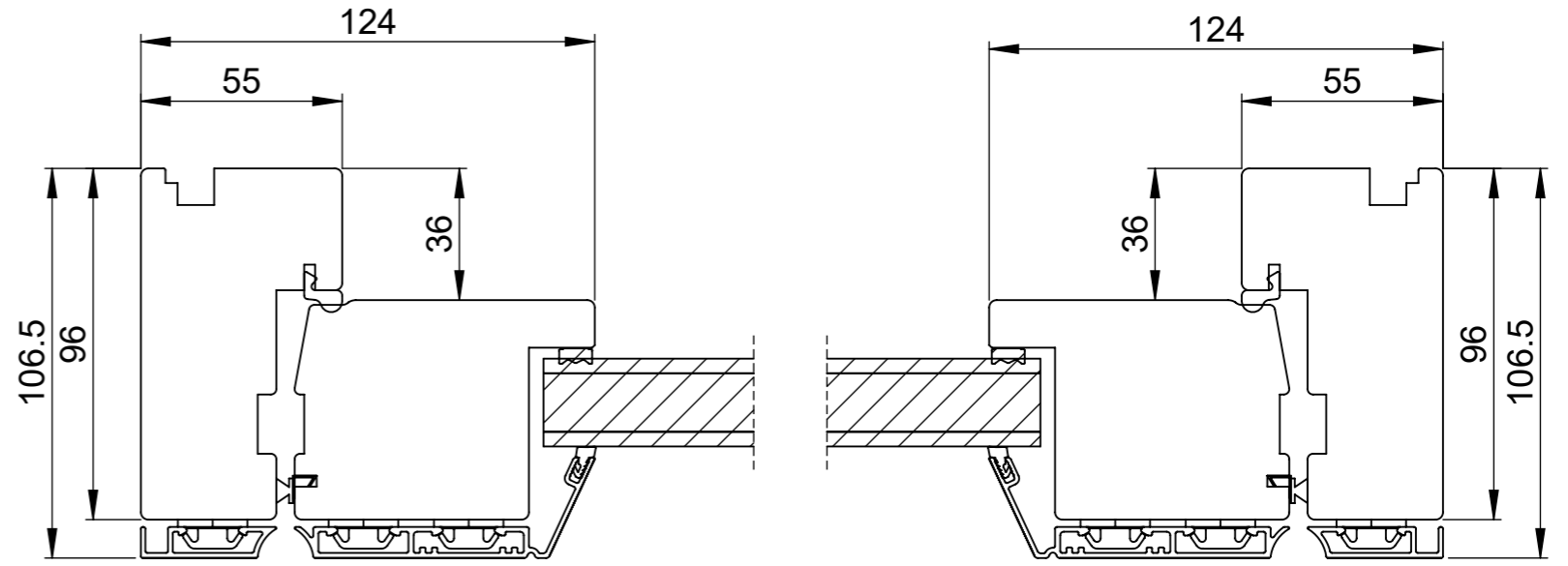
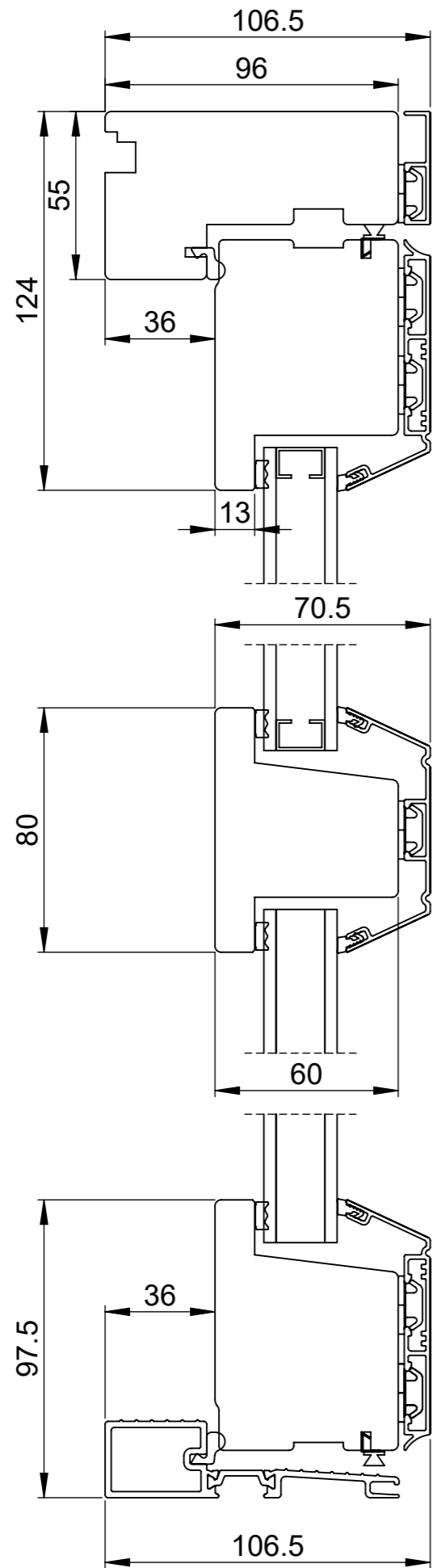


We reserve all rights in this document and in the information contained therein. Reproduction, use or disclosure to third parties without express authority is strictly forbidden. INWIDO



Rev.	ECM	Description	Rev. by	Date

Product Category		Product Platform		
Product Type				
Designed by	Designed date	Approved by	Approved date	Processing code
LL	2025-10-15			
LYSSAND FREKHAUC		Full assembly		
Tolerances unless otherwise specified				View orientation
Tol medium				
Article Number				Scale
				1:2
Drawing Number				Revision
Lyssand 96_Single(D)por				