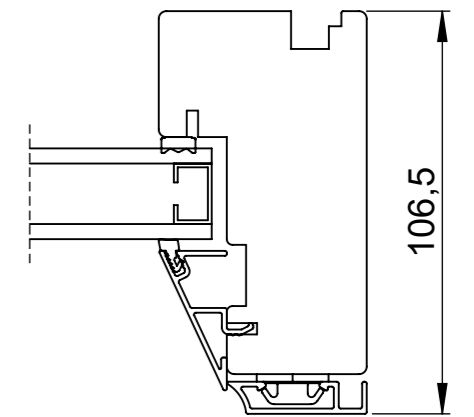
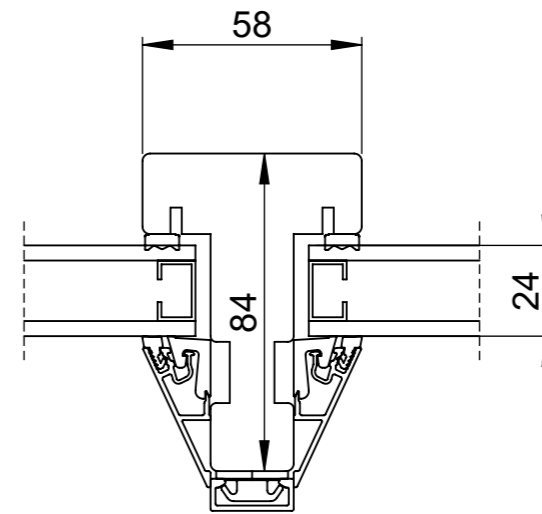
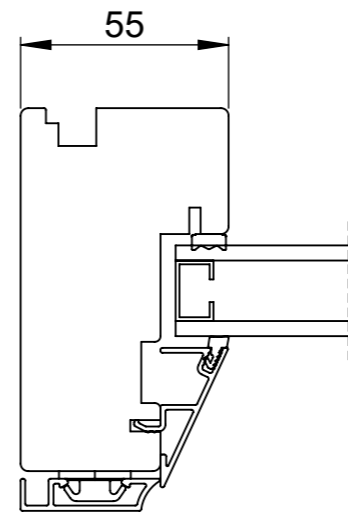
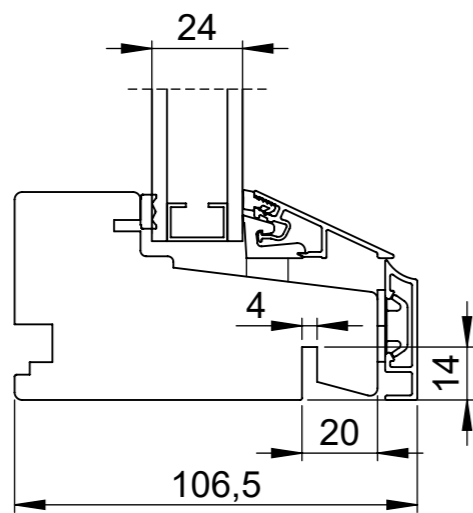
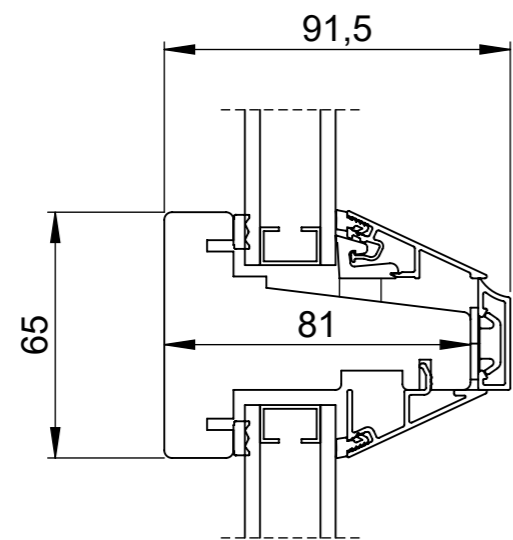
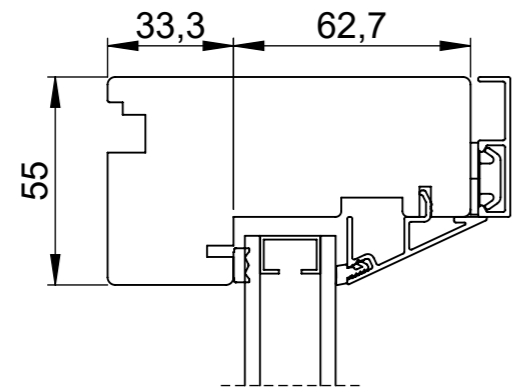


We reserve all rights in this document and in the information contained therein.  
 Reproduction, use or disclosure to third parties without express authority is strictly forbidden.  
 INWIDO

Rev.	ECM	Description	Rev. by	Date



Product Category		Window Outward		Product Platform		Lyssand - Window	
Product Type							
Fixed							
Designed by	Designed date	Approved by	Approved date	Processing code	Material		
LL	2025-10-15						
<b>LYSSAND</b> <b>FREKHAUC</b> Lyssand 96, 2 - lag med aluminium Snittegning fastkarm med post og losholt					Tolerances unless otherwise specified	View orientation	
					Tol medium		
					Article Number	Scale	
						1:2	
Drawing Number	Revision						
LY96-Alu-Window-8	(A)						