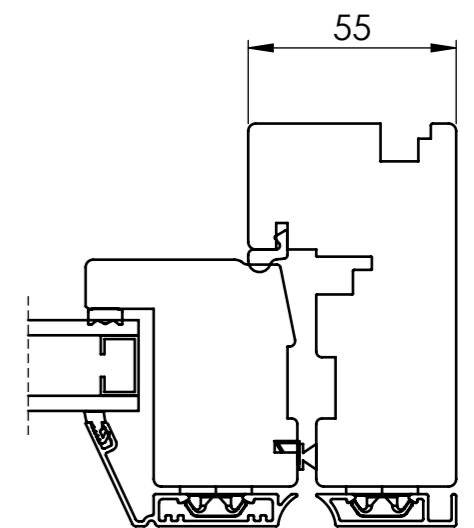
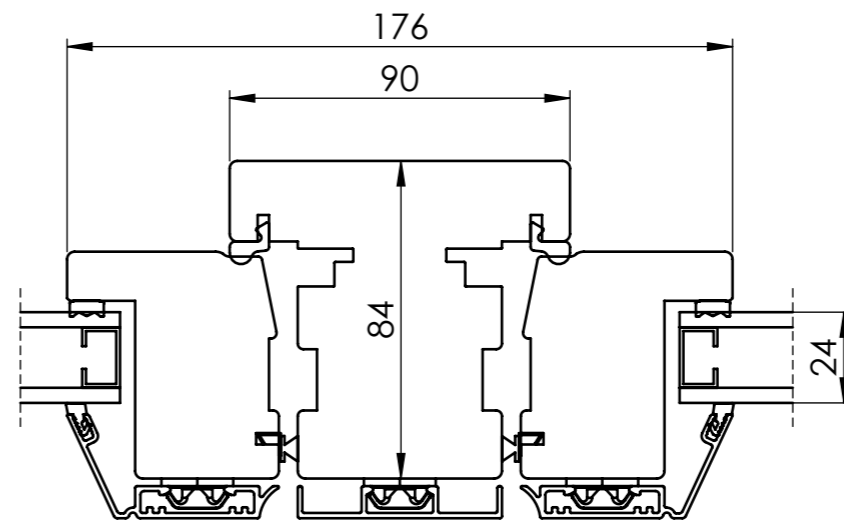
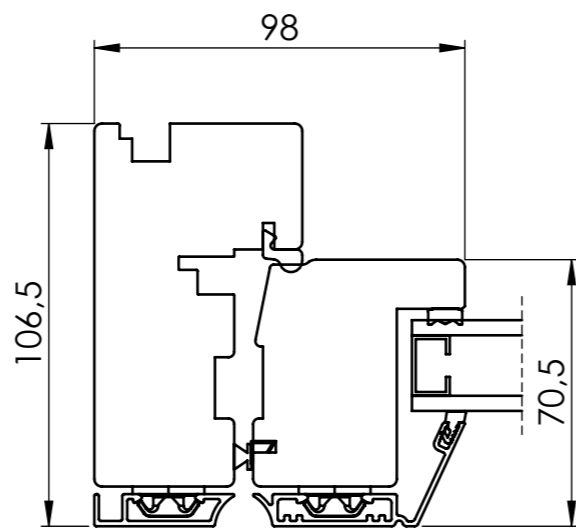
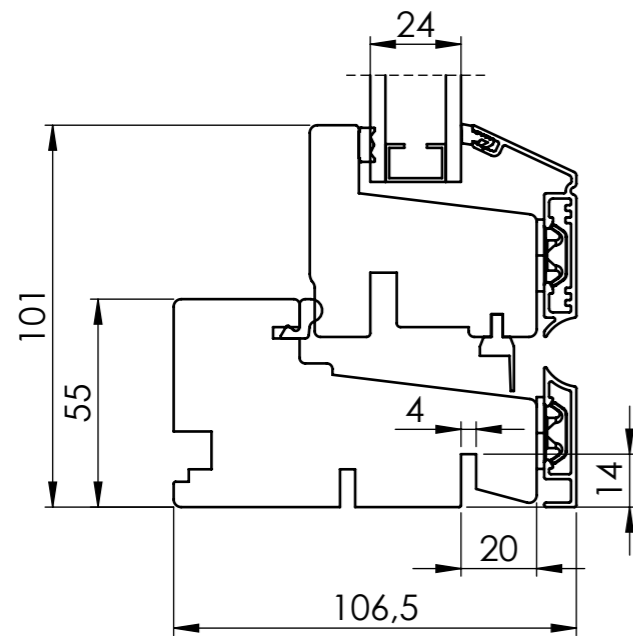
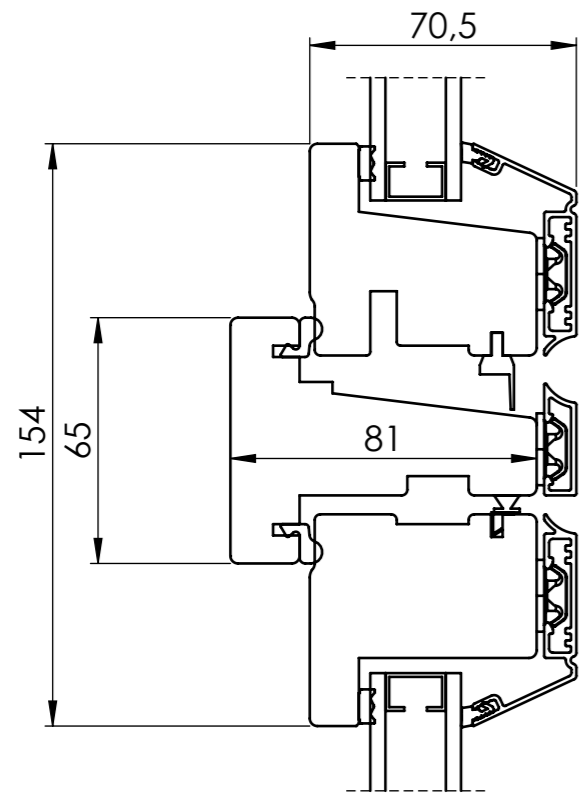
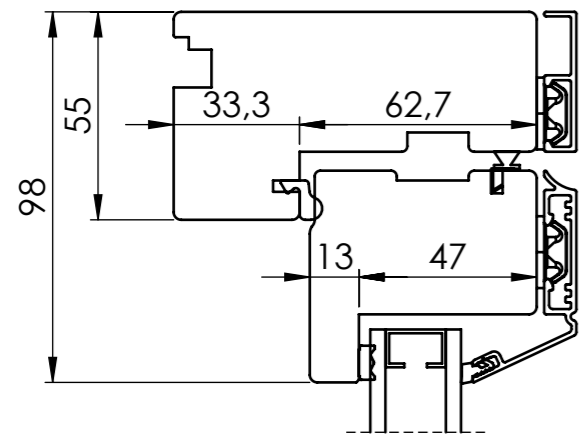


We reserve all rights in this document and in the information contained therein.
 Reproduction, use or disclosure to third parties without express authority is strictly forbidden.
 INWIDO



Rev.	ECM	Description	Rev. by	Date

Product Category		Product Platform		
Window Outward		Lyssand - Window		
Product Type				
Top Swing				
Designed by	Designed date	Approved by	Approved date	Processing code
MJ	2025-10-15			
LYSSAND FREKHAUC		Tolerances unless otherwise specified Tol medium		
Lyssand 96, 2 - lag med aluminium Sittneging toppsving med post og losholt		Article Number LY96-Alu-Window-6		
Drawing Number LY96-Alu-Window-6		View orientation 		
Scale 1:2		Revision (A)		