

**MAX-8**

V2107.02



# MAX-8

Excellent Performances & Reliability

CPCD20-35T8

CPQD30-35T8

T8 series 2.0-3.5t forklift

**SINGAPORE DEALER:**

DYNASTY LIFT TRUCKS SERVICES PTE LTD  
92 Tagore Lane, Singapore 787534  
Tel : +65 6556 1860 Whatsapp : +65 8112 0200  
Email : sales@dynastyforklift.com. www.dynastyforklift.com



# CPCD20/25T8

## T8 series 2.0-2.5t forklift specification

General		EP										
		CPCD20T8-S4S	CPCD20T8-C490	CPCD20T8-C240	CPCD20T8-TD27	CPCD25T8-C490	CPCD25T8-S4S	CPCD25T8-C240	CPCD25T8-TD27	CPCD25T8-GK25		
1	Manufacture											
2	Model											
3	Power type	Diesel										
4	Rated capacity	Kg	2000	2000	2000	2000	2500	2500	2500	2500	2500	2500
5	Load center	mm	500	500	500	500	500	500	500	500	500	500
6	Lift height	mm	3000	3000	3000	3000	3000	3000	3000	3000	3000	3000
7	Free lift height	mm	120	120	120	120	120	120	120	120	120	120
8	Fork size	L×W×T	mm	1070×120×40	1070×120×40	1070×120×40	1070×120×40	1070×120×40	1070×120×40	1070×120×40	1070×120×40	1070×120×40
9	Mast tilt range	F/R	deg	6/12	6/12	6/12	6/12	6/12	6/12	6/12	6/12	6/12
10	Fork overhang(wheel center to fork face)		mm	476	476	476	476	476	476	476	476	476
11	Rear overhang		mm	485	485	485	485	550	550	550	550	550
12	Overall dimensions	Length to face of fork	mm	2610	2610	2610	2610	2660	2660	2660	2660	2660
13		Overall width	mm	1150	1150	1150	1150	1150	1150	1150	1150	1150
14		Mast lowered height	mm	2050	2050	2050	2050	2050	2050	2050	2050	2050
15		Mast extended height	mm	4200	4200	4200	4200	4200	4200	4200	4200	4200
16		Overhead guard height	mm	2130	2130	2130	2130	2130	2130	2130	2130	2130
17	Turning radius(outside)		mm	2170	2170	2170	2170	2230	2230	2230	2230	2230
18	Min.right angle stacking aisle width (Add load length and clearance )		mm	2680	2680	2680	2680	2740	2740	2740	2740	2740
19	Speed	Travel (No load)	Km/h	20	20	20	20	20	20	20	20	20
20		Lifting (Full load)	mm/sec	450	450	450	450	450	450	450	450	450
21		Lowering (Full load)	mm/sec	450	450	450	450	450	450	450	450	450
22		Max.Drawbar Pull (Full load)	N	14300	14300	14300	14300	14800	14800	14800	14800	14800
23	Max.Gradeability (Full load)	%	20	20	20	20	20	20	20	20	20	
24	Tyres	Front	mm	7.00-12-12PR	7.00-12-12PR	7.00-12-12PR	7.00-12-12PR	7.00-12-12PR	7.00-12-12PR	7.00-12-12PR	7.00-12-12PR	7.00-12-12PR
25		Rear	mm	6.00-9-10PR	6.00-9-10PR	6.00-9-10PR	6.00-9-10PR	6.00-9-10PR	6.00-9-10PR	6.00-9-10PR	6.00-9-10PR	6.00-9-10PR
26	Tread	Font	mm	970	970	970	970	970	970	970	970	970
27		Rear	mm	970	970	970	970	970	970	970	970	970
28	Wheelbase		mm	1600	1600	1600	1600	1600	1600	1600	1600	
29	Ground clearance	Lowest		120	120	120	120	120	120	120	120	
30		Wheelbase center		145	145	145	145	145	145	145	145	
31	Self weight		Kg	3580	3580	3580	3580	3920	3920	3920	3920	
32	Weight Distribution	Full load	Front	4856	4856	4856	4856	5588	5588	5588	5588	
33			Rear	724	724	724	724	832	832	832	832	
34		No load	Front	1428	1428	1428	1428	1560	1560	1560	1560	
35			Rear	2152	2142	2142	2142	2360	2360	2360	2360	
36	Battery	Voltage/Capacity(20HR)	V/AH	12/60	12/80	12/80	12/80	12/80	12/60	12/60	12/60	
37	Engine	Modal		S4S-DPEU2	C490BPG-25	C240	TD27	C490BPG-25	S4S-DPEU2	C240	TD27	GK25
38		Manufacture		Mitsubishi	XIN CHAI	ISUZU	GCT	XIN CHAI	Mitsubishi	ISUZU	GCT	GCT
39		Rated output/r.p.m	kw	35.3/2250	36.8/2650	34.5/2500	38.5/2300	36.8/2650	35.3/2250	34.5/2500	38.5/2300	37.4/2300
40		Rated torque/r.p.m	N.m	177/1700	156/1700-1900	139/1800	160/2300	156/1700-1900	177/1700	139/1800	160/2300	176.5/1600
41		No.of cylinder		4	4	4	4	4	4	4	4	4
42		Bore×Stroke	mm	94×120	90×105	86×102	96/92	90×105	94×120	86×102	96/92	89×100
43		Displacement	cc	3331	2670	2369	2663	2670	3331	2369	2663	2488
44		Fuel tank capacity	L	60	60	60	60	60	60	60	60	60
45	Manufacture		OEM	OEM	OEM	OEM	OEM	OEM	OEM	OEM	OEM	
46	Transmissions	Type		Powershift	Powershift	Powershift	Powershift	Powershift	Powershift	Powershift	Powershift	
47		Stage	FWD/RVS		1/1	2/2	1/1	1/1	2/2	1/1	1/1	1/1
48	Operating pressure	For attachments	Mpa	17.5	17.5	17.5	17.5	17.5	17.5	17.5	17.5	

1.Special lifting height available ( 2-stage mast :2.5m,2.7m,3.0m,3.3m,3.5m,3.6m,3.7m,4m,4.3m,4.5m,5m. Full Free Duplex Mast 3.0m,3.3m,3.5m,3.6m. 3-stage mast : 4.3m,4.5m,4.8m,5m,5.5m,6m)

2.Attachment available.

3.The specification in the table are for standard models only,For further information please contact us.

4.Specification are subject to change without notice.

# CPC(Q)D30/35T8

## T8 series 3.0-3.5t forklift specification

			EP											
			CPCD30T8-S4S	CPCD30T8-C490	CPCD30T8-A498	CPCD30T8-C240	CPCD30T8-TD27	CPQD30T8-GK25	CPCD35T8-S4S	CPCD35T8-A498	CPCD35T8-TD27	CPQD35T8-GK25	CPCD35T8-4JG2	
General	1	Manufacture												
	2	Model												
Characteristics & Dimensions	3	Power type	Diesel	Diesel	Diesel	Diesel	Diesel	Gasoline	Diesel	Diesel	Diesel	Gasoline	Diesel	
	4	Rated capacity	Kg	3000	3000	3000	3000	3000	3000	3500	3500	3000	3500	3000
	5	Load center	mm	500	500	500	500	500	500	500	500	500	500	500
	6	Lift height	mm	3000	3000	3000	3000	3000	3000	3000	3000	3000	3000	3000
	7	Free lift height	mm	120	120	120	120	120	120	120	120	120	120	120
	8	Fork size	LxWxT	mm	1070x125x45	1070x125x45	1070x125x45	1070x125x45	1070x125x45	1070x125x50	1070x125x50	1070x125x50	1070x125x50	1070x125x50
	9	Mast tilt range	F/R	deg	6/12	6/12	6/12	6/12	6/12	6/12	6/12	6/12	6/12	6/12
	10	Fork overhang(wheel center to fork face)		mm	481	481	481	481	481	486	486	481	486	481
	11	Rear overhang		mm	590	590	590	590	590	590	590	590	590	590
	12	Overall dimensions	Length to face of fork	mm	2762	2762	2762	2762	2762	2762	2822	2822	2822	2822
	13		Overall width	mm	1200	1200	1200	1200	1200	1200	1200	1200	1200	1200
	14		Mast lowered height	mm	2070	2070	2070	2070	2070	2070	2070	2070	2070	2070
	15		Mast extended height	mm	4210	4210	4210	4210	4210	4210	4210	4210	4210	4210
	16	Overhead guard height		mm	2180	2180	2180	2180	2180	2180	2180	2180	2180	2180
	17	Turning radius(outside)		mm	2450	2450	2450	2450	2450	2510	2510	2510	2510	2510
	18	Min.right angle stacking aisle wiath (Add load length and clearance)		mm	2950	2950	2950	2950	2950	3010	3010	3010	3010	3010
	Performance	19	Travel (No load)	Km/h	20	20	20	20	20	20	20	20	20	20
		20	Speed	Lifting (Full load)	mm/sec	400	400	400	400	400	400	400	400	400
21		Lowering (Full load)		mm/sec	400	400	400	400	400	400	400	400	400	
22		Max.Drawbar Pull (Full load)	N	21000	21000	21000	21000	21000	21000	21500	21500	21500	21500	
23		Max.Gradeability (Full load)	%	20	20	20	20	20	20	20	20	20	20	
Chassis	24	Tyres	Front	mm	28x9-15-12PR	28x9-15-12PR	28x9-15-12PR	28x9-15-12PR	28x9-15-12PR	28x9-15-12PR	28x9-15-12PR	28x9-15-12PR	28x9-15-12PR	
	25		Rear	mm	6.50-10-10PR	6.50-10-10PR	6.50-10-10PR	6.50-10-10PR	6.50-10-10PR	6.50-10-10PR	6.50-10-10PR	6.50-10-10PR	6.50-10-10PR	
	26	Tread	Font	mm	1010	1010	1010	1010	1010	1010	1010	1010	1010	
	27		Rear	mm	980	980	980	980	980	980	980	980	980	
	28	Wheelbase		mm	1700	1700	1700	1700	1700	1760	1760	1760	1760	
	29	Ground clearance	Lowest		140	140	140	140	140	140	140	140	140	
30	Wheelbase center			175	175	175	175	175	175	175	175	175		
Weight	31	Self weight		Kg	4450	4450	4450	4450	4450	4700	4700	4700	4700	
	32	Weight Distribution	Full load	Front		6488	6488	6488	6488	6488	7134	7134	7134	
	33			Rear		962	962	962	962	1066	1066	1066	1066	
	34		No load	Front		1810	1810	1810	1810	1810	1927	1927	1927	
	35			Rear		2640	2640	2640	2640	2640	2773	2773	2773	
36	Battery	Voltage/Capacity(20HR)	V/AH	12/60	12/80	12/80	12/60	12/60	12/60	12/80	12/60	12/60		
Power & transmission	37	Modal		S4S-DPEU2	C490BPG-25	A498BT1-39	C240	TD27	GK25	S4S-DPEU2	A498BT1-39	TD27	GK25	
	38	Manufacture		Mitsubishi	XIN CHAI	XIN CHAI	ISUZU	GCT	GCT	Mitsubishi	XIN CHAI	GCT	ISUZU	
	39	Rated output/r.p.m	kw	35.3/2250	36.8/2650	36.8/2400	34.5/2500	38.5/2300	37.4/2300	35.3/2250	36.8/2400	38.5/2300	37.4/2300	
	40	Rated torque/r.p.m	N.m	177/1700	156/1700-1900	186/1600-1800	139/1800	160/2300	176.5/1600	177/1700	186/1600-1800	160/2300	176.5/1600	
	41	No.of cylinder		4	4	4	4	4	4	4	4	4	4	
	42	BorexStroke	mm	94x120	90x105	95x105	86x102	96/92	89x100	94x120	95x105	96/92	89x100	
	43	Displacement	cc	3331	2670	2980	2369	2663	2488	3331	2980	2663	2488	
	44	Fuel tank capacity	L	70	60	70	70	60	70	75	70	60	75	
	45	Manufacture		OEM	OEM	OEM	OEM	OEM	OEM	OEM	OEM	OEM	OEM	
	46	Transmissions	Type		Powershift	Powershift	Powershift	Powershift	Powershift	Powershift	Powershift	Powershift	Powershift	
	47	Stage	FWD/RVS		1/1	1/1	1/1	1/1	1/1	1/1	1/1	1/1	1/1	
	48	Operating pressure	For attachments	Mpa	17.5	17.5	17.5	17.5	17.5	17.5	17.5	17.5	17.5	

1.Special lifting height available ( 2-stage mast :2.5m,2.7m,3.0m,3.3m,3.5m,3.6m,3.7m,4m,4.3m,4.5m,5m. Full Free Duplex Mast 3.0m,3.3m,3.5m,3.6m. 3-stage mast : 4.3m,4.5m,4.8m,5m,5.5m,6m)  
 2.Attachment available. 3.The specification in the table are for standard models only,For further information please contact us. 4.Specification are subject to change without notice.

# CPCD20/25/30/35T8

## T8 series 2.0-3.5t forklift specification (Meets Euro Stage V Legislation)

General		EP													
1 Manufacture															
2 Model		CPCD20T8		CPCD25T8		CPCD30T8		CPCD35T8							
3 Power type		Diesel		Diesel		Diesel		Diesel							
4 Rated capacity		Kg		2000		2500		3000							
5 Load center		mm		500		500		500							
6 Lift height		mm		3000		3000		3000							
7 Free lift height		mm		120		120		120							
Characteristics & Dimensions		8 Fork size		L×W×T		mm		1070×120×40		1070×120×40		1070×125×45		1070×125×50	
		9 Mast tilt range		F/R		deg		6/12		6/12		6/12		6/12	
		10 Fork overhang(wheel center to fork face)		mm		476		476		481		486		486	
		11 Rear overhang		mm		485		550		590		590		590	
		Overall dimensions		12 Length to face of fork		mm		2610		2660		2762		2822	
				13 Overall width		mm		1150		1150		1200		1200	
				14 Mast lowered height		mm		2050		2050		2070		2070	
				15 Mast extended height		mm		4200		4200		4210		4210	
		16 Overhead guard height		mm		2130		2130		2180		2180		2180	
		17 Turning radius(outside)		mm		2170		2230		2450		2510		2510	
18 Min.right angle stacking aisle width (Add load length and clearance )		mm		2680		2740		2950		3010		3010			
Performance		19 Travel (No load)		Km/h		20		20		20		20			
		20 Speed		Lifting (Full load)		mm/sec		450		450		400		400	
				Lowering (Full load)		mm/sec		450		450		400		400	
		22 Max.Drawbar Pull (Full load)		N		14300		14800		21000		21500		21500	
		23 Max.Gradeability (Full load)		%		20		20		20		20		20	
Chassis		24 Tyres		Front		mm		7.00-12-12PR		7.00-12-12PR		28×9-15-12PR		28×9-15-12PR	
				Rear		mm		6.00-9-10PR		6.00-9-10PR		6.50-10-10PR		6.50-10-10PR	
		26 Tread		Font		mm		970		970		1010		1010	
				Rear		mm		970		970		980		980	
		28 Wheelbase		mm		1600		1600		1700		1700		1760	
				29 Ground clearance		Lowest		mm		120		120		140	
30		Wheelbase center		mm		145		145		175		175			
Weight		31 Self weight		Kg		3580		3920		4450		4700			
		32 Weight		Full load		Front		mm		4856		5588		6488	
				Rear		mm		724		832		962		1066	
		34 Distribution		No load		Front		mm		1428		1560		1810	
				Rear		mm		2142		2360		2640		2773	
36 Battery		Voltage/Capacity(20HR)		V/AH		12/105		12/105		12/105		12/105			
Power & transmission		37		Modal		3E22YG51		3E22YG51		3E22YG51		3E22YG51			
		38		Manufacture		XIN CHAI		XIN CHAI		XIN CHAI		XIN CHAI			
		39		Rated output/r.p.m		kw		44.8/2400		44.8/2400		44.8/2400			
		40		Rated torque/r.p.m		N.m		210/1600-1800		210/1600-1800		210/1600-1800			
		41		No.of cylinder		3		3		3		3			
		42		Bore×Stroke		mm		94X107		94X107		94X107			
		43		Displacement		cc		2226		2226		2226			
		44		Fuel tank capacity		L		60		60		70		75	
		45		Manufacture		OEM		OEM		OEM		OEM		OEM	
		46		Type		Powershift		Powershift		Powershift		Powershift		Powershift	
47		Transmissions		Stage		FWD/RVS		1/1		1/1		1/1			
48		Operating pressure		For attachments		Mpa		17.5		17.5		17.5			

1.Special lifting height available ( 2-stage mast :2.5m,2.7m,3.0m,3.3m,3.5m,3.6m,3.7m,4m,4.3m,4.5m,5m. Full Free Duplex Mast 3.0m,3.3m,3.5m,3.6m. 3-stage mast : 4.3m,4.5m,4.8m,5m,5.5m,6m)  
 2.Attachment available. 3.The specification in the table are for standard models only,For further information please contact us. 4.Specification are subject to change without notice.

**2.0-2.5t T8 series mast: (pneumatic)**

Type	Model	Max.fork height	Overall height				Free lift		Front Overhang		Tilt range		Capacity			
			Lowered	Extended		Without backrest	With backrest	2.0t	2.5t	FWD	BWD	Load capacity at 500 mm				
				Without backrest	With backrest							Single tire		Double tire		
			mm	mm	mm	mm	mm	mm	mm	mm	Deg	Deg	2.0t	2.5t	2.0t	2.5t
Wide view mast	2W200	2000	1550	2740	3420	120	120	476	476	6	10	2000	2500	2000	2500	
	2W250	2500	1800	3040	3720	120	120	476	476	6	10	2000	2500	2000	2500	
	2W270	2700	1900	3240	3920	120	120	476	476	6	10	2000	2500	2000	2500	
	2W300	3000	2050	3540	4220	120	120	476	476	6	10	2000	2500	2000	2500	
	2W330	3300	2200	3690	4370	120	120	476	476	6	10	2000	2500	2000	2500	
	2W350	3500	2300	3890	4570	120	120	476	476	6	10	2000	2500	2000	2500	
	2W360	3600	2350	3990	4670	120	120	476	476	6	10	2000	2500	2000	2500	
	2W400	4000	2600	4040	4720	120	120	476	476	6	10	1900	2300	2000	2500	
	2W430	4300	2750	4340	5020	120	120	476	476	6	6	1800	2100	1950	2450	
	2W450	4500	2850	4290	4970	120	120	476	476	6	6	1700	2000	1900	2400	
wide view full 2-stage mast	2F250	2500	1785	2090	2770	1210	560	476	476	6	10	2000	2500	2000	2500	
	2F270	2700	1885	2290	2970	1310	660	476	476	6	10	2000	2500	2000	2500	
	2F300	3000	2035	2590	3270	1460	810	476	476	6	10	2000	2500	2000	2500	
	2F330	3300	2185	3840	4520	1610	960	476	476	6	10	2000	2500	2000	2500	
	2F360	3600	2335	4140	4820	1760	1110	476	476	6	10	2000	2500	2000	2500	
	2F400	4000	2585	4540	5220	2060	1410	476	476	6	10	1900	2300	2000	2500	
wide view full 3-stage mast	3F430	4300	2035	4880	5560	1360	730	490	490	6	6	1700	2000	1900	2400	
	3F450	4500	2115	5040	5720	1460	810	490	490	6	6	1600	1900	1800	2300	
	3F480	4800	2220	5345	6020	1565	915	490	490	6	6	1500	1700	1700	2100	
	3F500	5000	2305	5540	6220	1610	960	490	490	6	6	1400	1600	1600	2000	
	3F550	5500	2555	6120	6800	1770	1120	490	490	3	6	1050	1200	1500	1800	
	3F600	6000	2805	6540	7220	2020	1370	490	490	3	6	700	800	1400	1600	

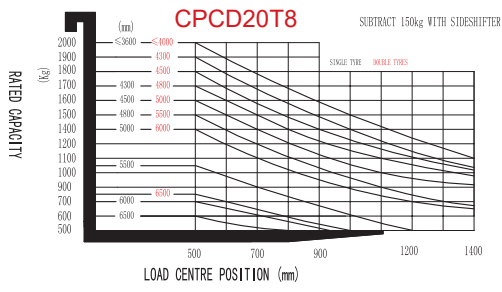
Note:1. With sideshifter minus 150Kg, with integral sideshifter minus 100Kg.

**3.0-3.5t T8 series mast: (pneumatic)**

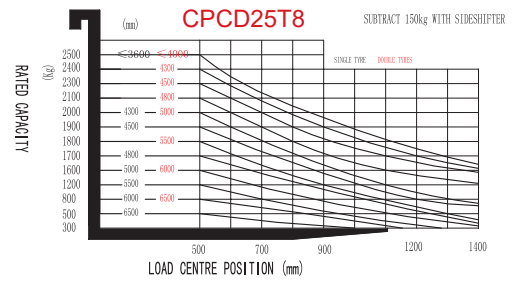
Type	Model	Max.fork height	Overall height				Free lift		Front Overhang		Tilt range		Capacity			
			Lowered	Extended		Without backrest	With backrest	3.0t	3.5t	FWD	BWD	Load capacity at 500 mm				
				Without backrest	With backrest							Single tire		Double tire		
			mm	mm	mm	mm	mm	mm	mm	mm	Deg	Deg	3.0t	3.0t	3.5t	3.5t
Wide view mast	2W200	2000	1570	2570	3250	120	120	481	486	6	12	3000	3000	3500	3500	
	2W250	2500	1820	3070	3750	120	120	481	486	6	12	3000	3000	3500	3500	
	2W270	2700	1920	3270	3950	120	120	481	486	6	12	3000	3000	3500	3500	
	2W300	3000	2070	3570	4250	120	120	481	486	6	12	3000	3000	3500	3500	
	2W330	3300	2220	3690	4370	120	120	481	486	6	12	3000	3000	3500	3500	
	2W350	3500	2320	3890	4570	120	120	481	486	6	12	3000	3000	3500	3500	
	2W360	3600	2370	3990	4670	120	120	481	486	6	12	3000	3000	3500	3500	
	2W400	4000	2620	4040	4720	120	120	481	486	6	12	2850	3000	3250	3500	
	2W430	4300	2770	4340	5020	120	120	481	486	6	6	2700	2900	3000	3400	
	2W450	4500	2870	4290	4970	120	120	481	486	6	6	2550	2850	2850	3350	
wide view full 2-stage mast	2F250	2500	1830	2220	2900	1210	560	481	486	6	12	3000	3000	3500	3500	
	2F270	2700	1930	2320	3000	1310	660	481	486	6	12	3000	3000	3500	3500	
	2F300	3000	2080	2620	3300	1460	810	481	486	6	12	3000	3000	3500	3500	
	2F330	3300	2230	3870	4550	1610	960	481	486	6	12	3000	3000	3500	3500	
	2F360	3600	2380	4020	4700	1760	1110	481	486	6	12	3000	3000	3500	3500	
	2F400	4000	2580	4420	5100	2060	1410	481	486	6	12	2850	3000	3250	3500	
wide view full 3-stage mast	3F430	4300	2055	4910	5570	1360	730	495	500	6	6	2550	2850	2850	3350	
	3F450	4500	2135	5070	5750	1460	810	495	500	6	6	2400	2700	2700	3200	
	3F480	4800	2240	5375	6050	1565	915	495	500	6	6	2250	2550	2450	2950	
	3F500	5000	2325	5570	6250	1610	960	495	500	6	6	1650	2250	2300	2800	
	3F550	5500	2575	6150	6830	1770	1120	495	500	3	6	1800	2250	1800	2550	
	3F600	6000	2825	6570	7250	2020	1370	495	500	3	6	1200	2100	1300	2300	

Note:1. With sideshifter minus 200Kg, with integral sideshifter minus 150Kg.

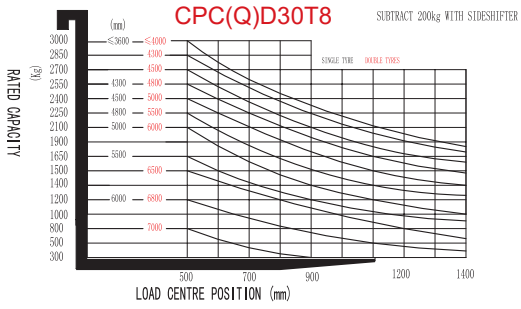
RATED CAPACITIES AND LOAD CENTERS GRAPH



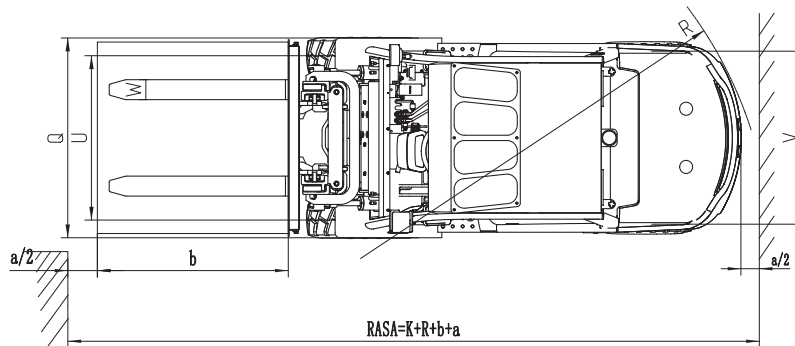
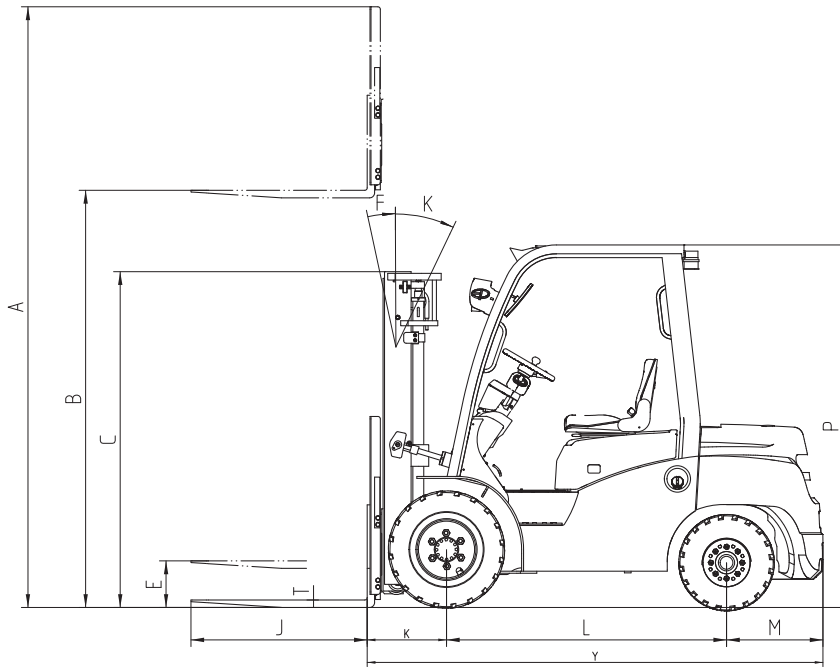
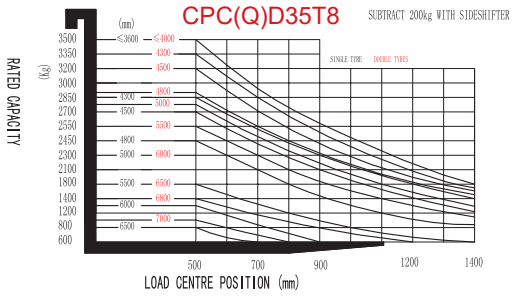
RATED CAPACITIES AND LOAD CENTERS GRAPH



RATED CAPACITIES AND LOAD CENTERS GRAPH



RATED CAPACITIES AND LOAD CENTERS GRAPH



# Option

Options	20/25T8	30T8	35T8
1 Fork length	○	○	○
2 Fork extension	○	○	○
3 Folded fork	○	○	○
4 Imported diesel engine	○	○	○
5 Import Gasoline Engine	○	○	○
6 LPG system	○	○	○
7 High exhaust	○	○	○
8 Dual air cleaners or special air cleaner	○	○	○
9 Solid rubber tire	○	○	○
10 No marking solid tire	○	○	○
11 Overhead guard	●	●	●
12 Mast options	○	○	○
13 Attachments	○	○	○
14 Integrated side shift	○	○	○
15 Cockpit	●	●	●
16 heater	○	○	○
17 Front windshield with wiper	○	○	○
18 Rear windshield with wiper	○	○	○
19 Fan	○	○	○
20 Full steel cabin room	○	○	○
21 LED front light	●	●	●
22 Rear working LED light	○	○	○
23 Fire extinguisher	○	○	○
24 Suspension seat	○	○	○
25 Seat switch	●	●	●
26 Warning light	●	●	●
27 Insulation mat	○	○	○
28 Double front tyre	○	○	○
29 OPS system	○	○	○

Note: ● standard ○ option — NA

