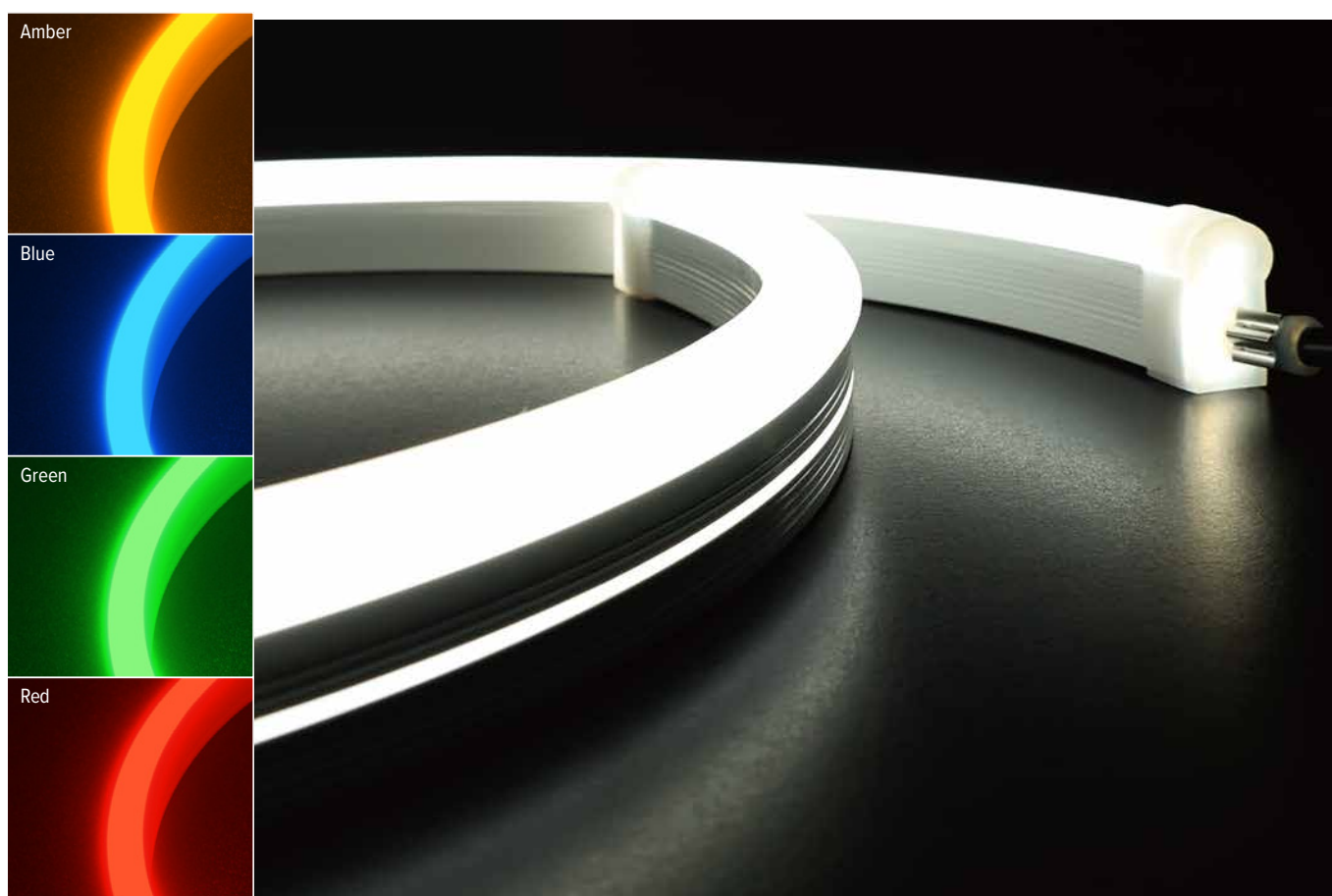


LED FLEX NEON

Model: JE-00XY-FN-24V (CC)



Features

- 1) Unique optical distribution design, side emitting light source.
- 2) Light-emitting angle 120°, light emits evenly with high brightness. Environmentally friendly
- 3) silicone material, good flexibility with simple appearance.
- 4) IP67 protection level, acid, alkali, salt corrosion resistance, UV resistance.
- 5) ERP spectroscopic standard, single bin supply, good color consistency.
- 6) 5 years warranty.

Application

Home decorative lighting, landscape lighting, city lighting, the places that need linear lighting effect etc.

Parameters

Part Number	JE-00XY-FN-24V (CC)		Model	Color	CCT(K)	Power	Luminous Flux (LM/FT)	Efficacy (LM/W)
	CC: Constant Current		JE-004W-FN-24V-2700K (CC)	WW	2700	2.44W/FT	111	38
Dimensions	50FT*0.47inch*0.98inch		JE-004W-FN-24V-3000K (CC)	WW	3000	2.44W/FT	120	41
LED Type	Single Color 2835 / RGB,RGBCW 5050		JE-004W-FN-24V-4000K (CC)	NW	4000	2.44W/FT	126	43
LED Qty/m	Single Color 120LEDs/3.28FT		JE-004W-FN-24V-5000K (CC)	MW	5000	2.44W/FT	123	42
LED Qty/m	RGB / RGBCW 60LEDs/3.28FT		JE-004W-FN-24V-6500K (CC)	W	6500	2.44W/FT	120	41
Voltage	DC24V		JE-001R-FN-24V (CC)	R	/	2.44W/FT	37.5	12.3
Current (A)	0.092A/FT		JE-002G-FN-24V (CC)	G	/	2.44W/FT	70	23
Power	Single Color 2.44W/FT		JE-003B-FN-24V (CC)	B	/	2.44W/FT	18.7	6.1
Power	RGB 2.74W/FT RGBCW 1.52W/FT		JE-005A-FN-24V (CC)	A	/	2.44W/FT	36.9	12.1
IP Grade	IP67		JE-006M-FN-24V (CC)	RGB	/	2.74W/FT	37.2	10.1
Maximum Run	Single Color Max 65.6FT / RGB,RGBCW Max 50FT		JE-006M-FN-24V (CC)	RGBCW	2700K+6500K	1.52W/FT	23.1	10.5

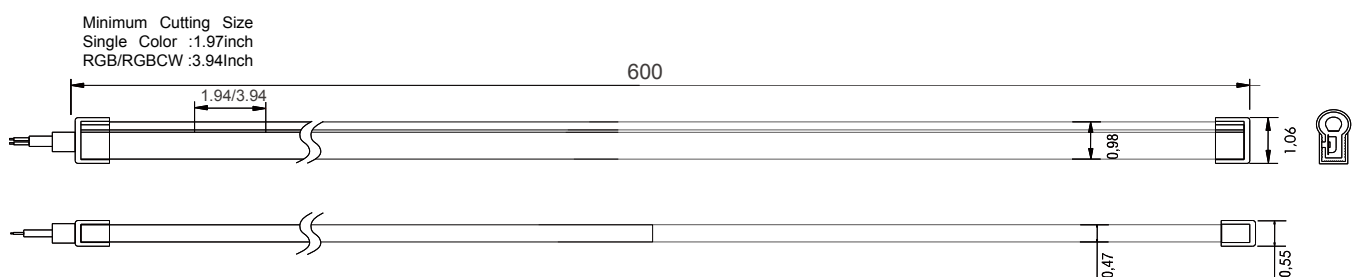
Remarks:

- 1)The given data are typical values due to the tolerance of the production and electrical components, output value and electrical power can vary up to 10%.
- 2)Testing standards refer to IES LM-79-08.
- 3)The above luminous flux is based on CRI80, and the number will reduce by around 20% in CRI 90.

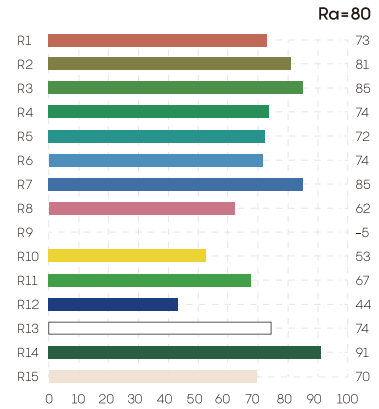
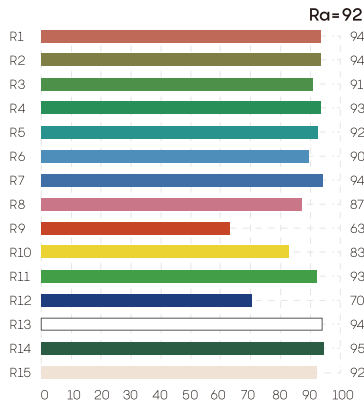
Dimension

Unit: inch

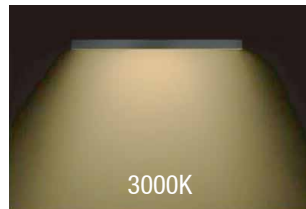
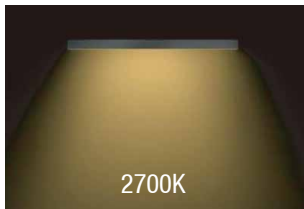
JE-00XY-FN-24V (CC)



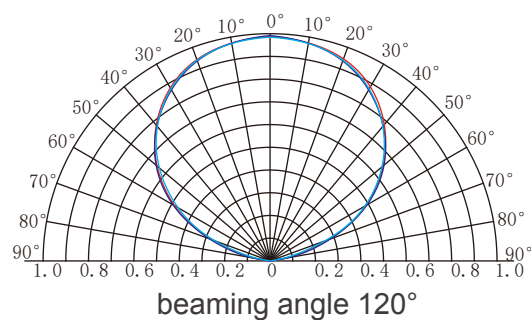
Rendering Index Comparison



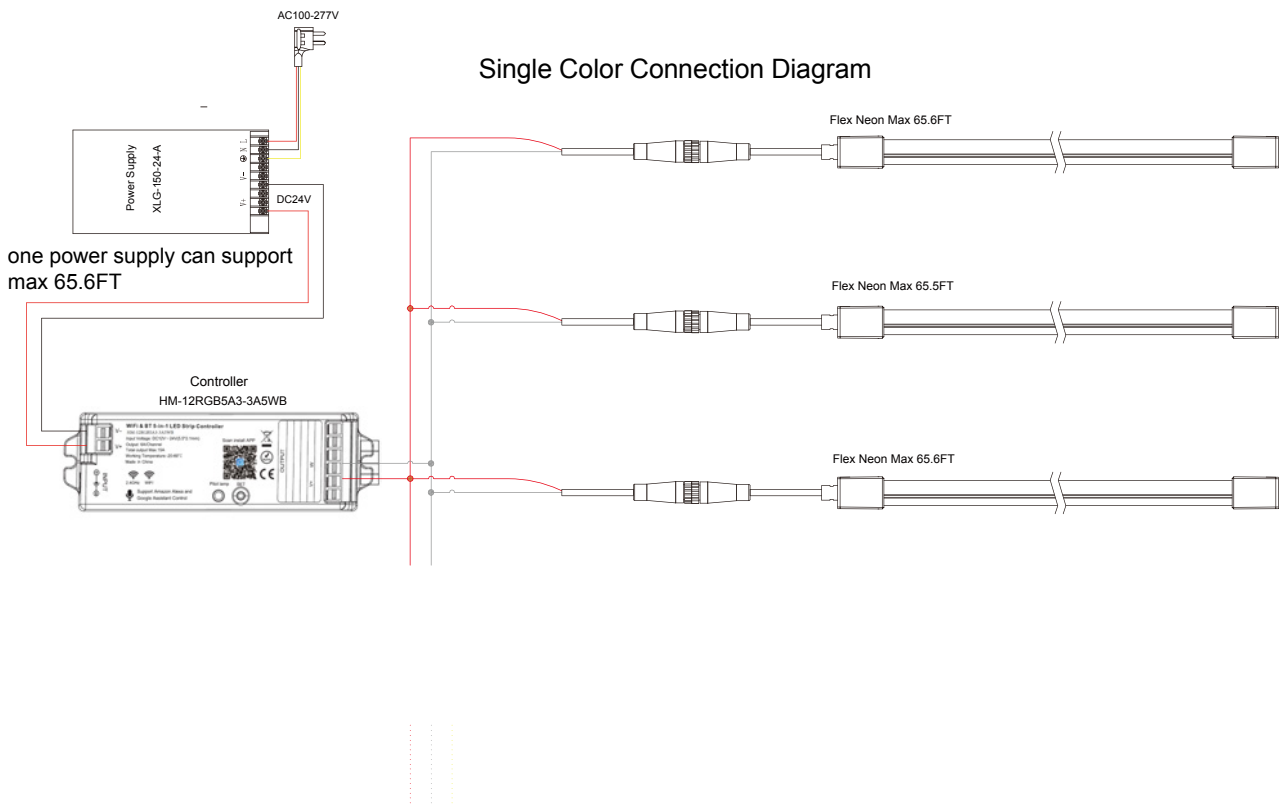
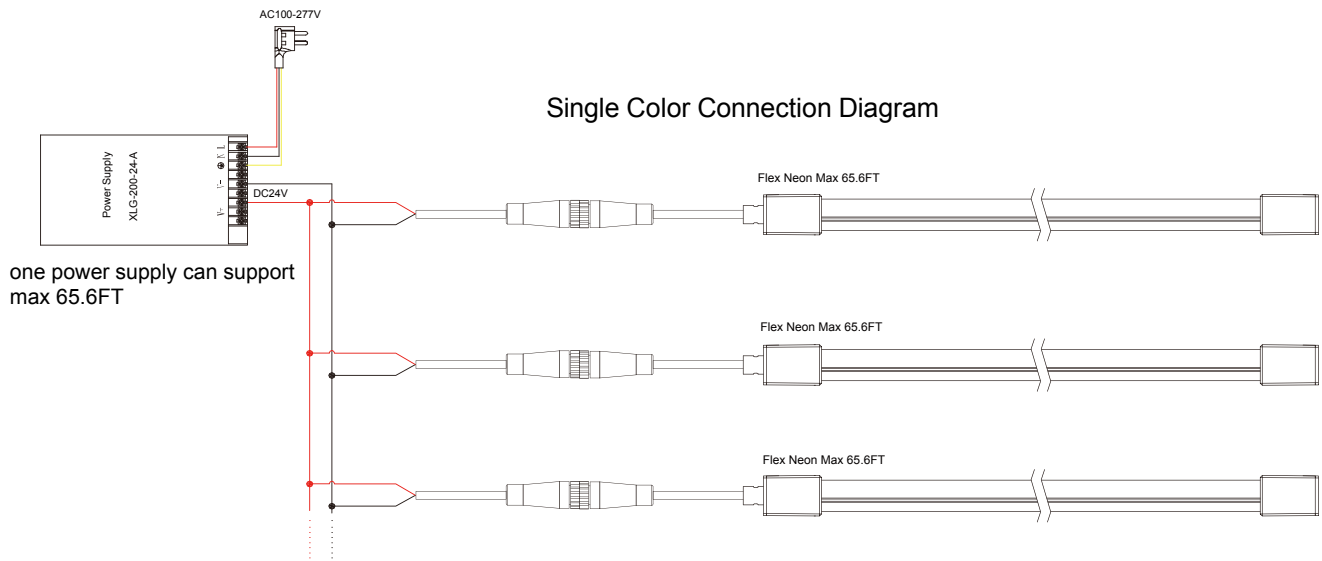
Provide Full CCT Range From 2700K to 6500K



Beaming Angle

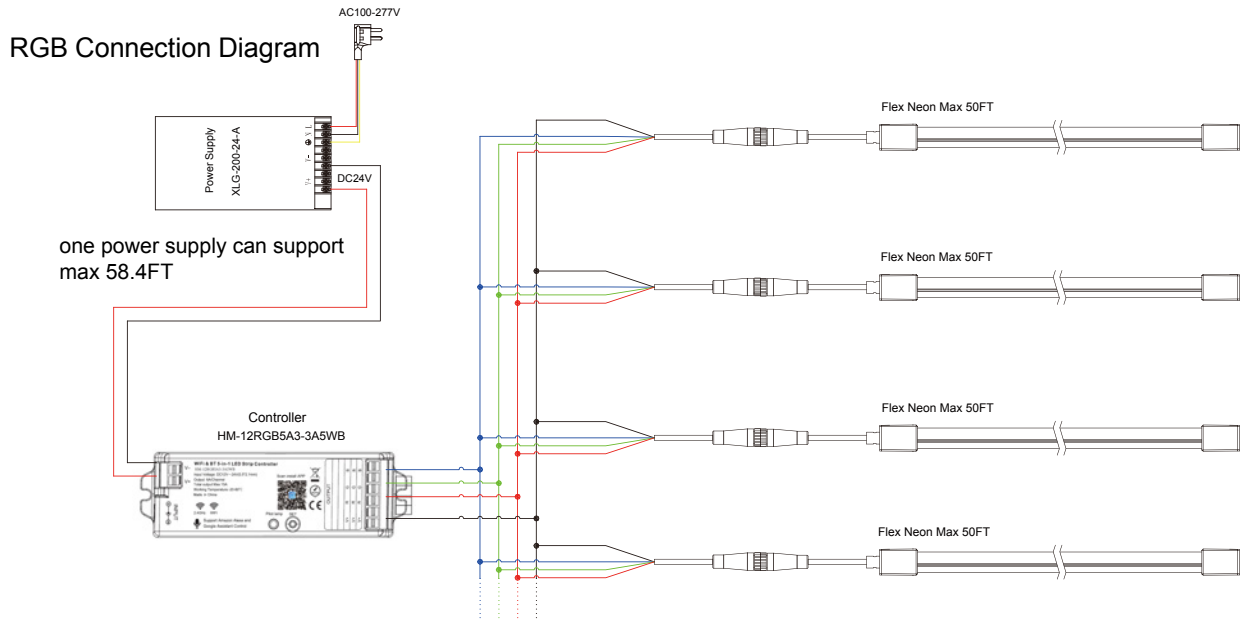


Wire Connection

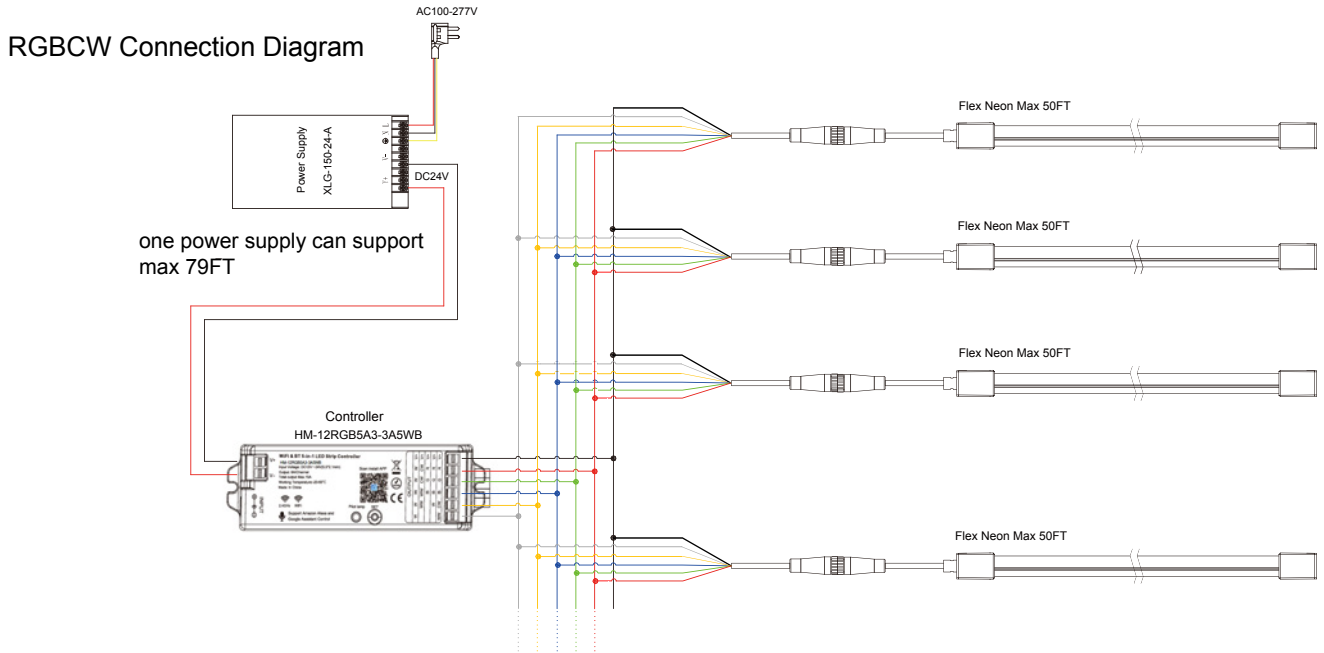


Wire Connection

RGB Connection Diagram



RGBCW Connection Diagram



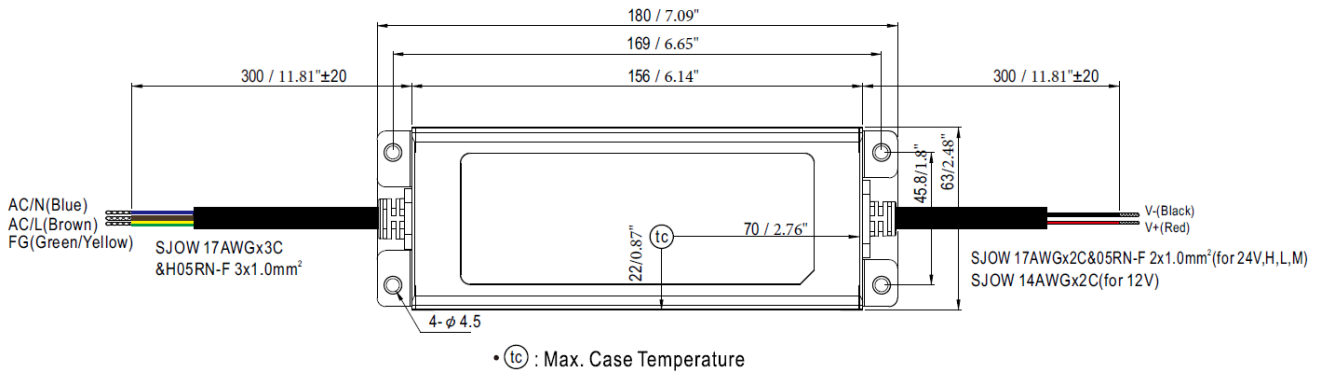
Driver: XLG-150-24-A

Input: AC 100-277V 50/60Hz

Output: DC24V 6.25A

Power: Max 150W

Recommended power consumption should not exceed 80%, approximately 120W



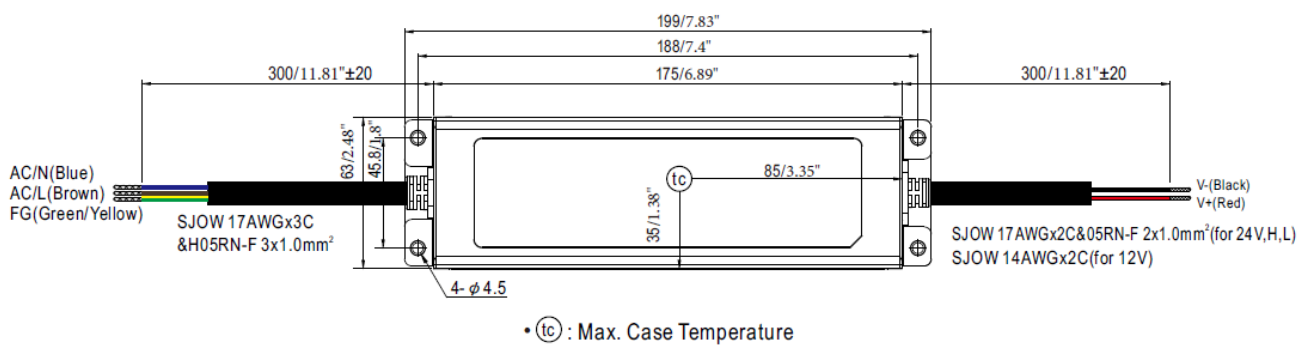
Driver: XLG-200-24-A

Input: AC 100-277V 50/60Hz

Output: DC24V 8.3A

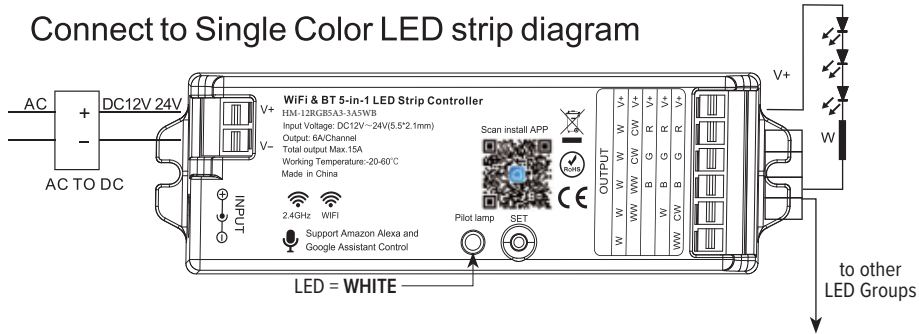
Power: Max 199.2W

Recommended power consumption should not exceed 80%, approximately 160W

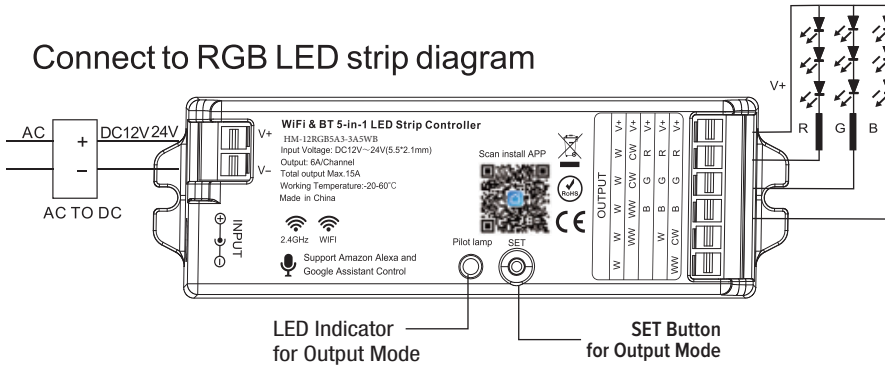


Wifi & BT CONTROLLER

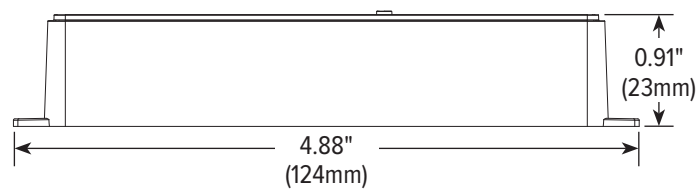
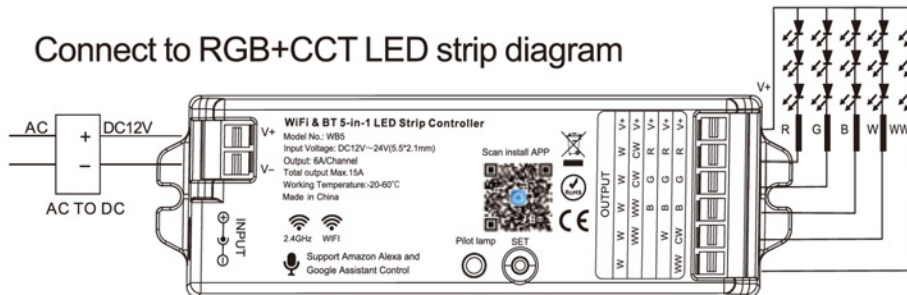
Connect to Single Color LED strip diagram



Connect to RGB LED strip diagram



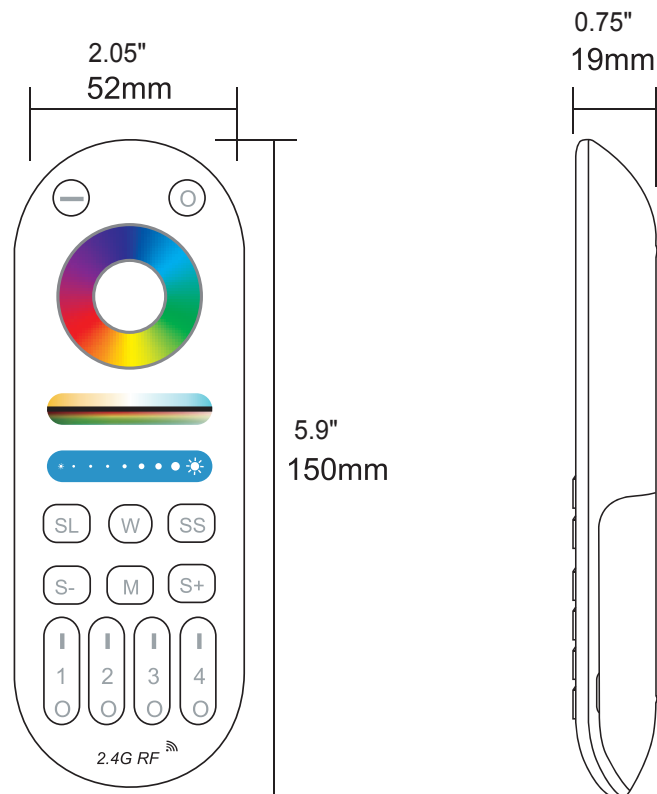
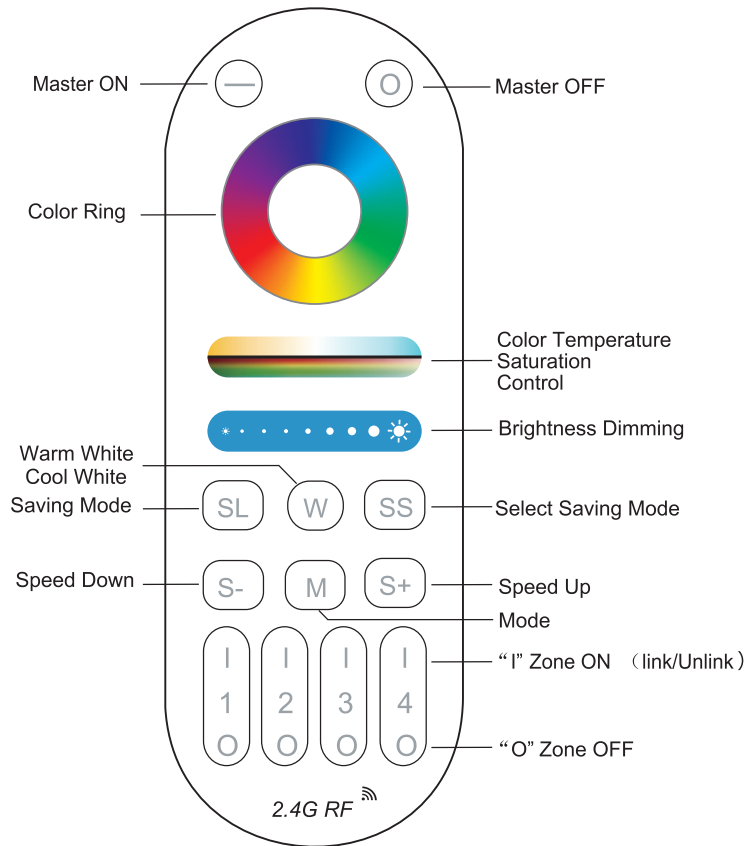
Connect to RGB+CCT LED strip diagram



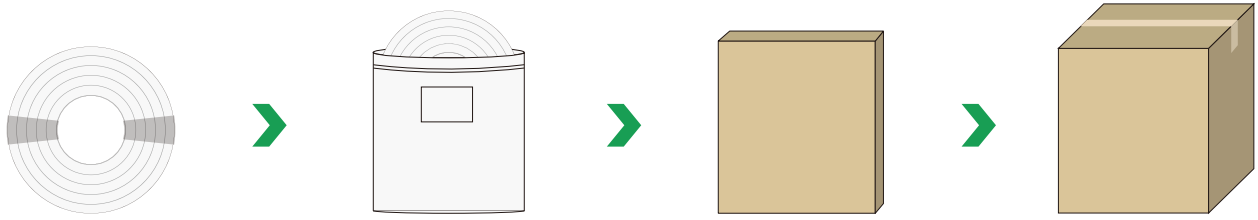
Remote control

Remote Control

HM-12RGB5A3-3A5WB-RC



Packing information



50FT per roll

One roll per antistatic bag

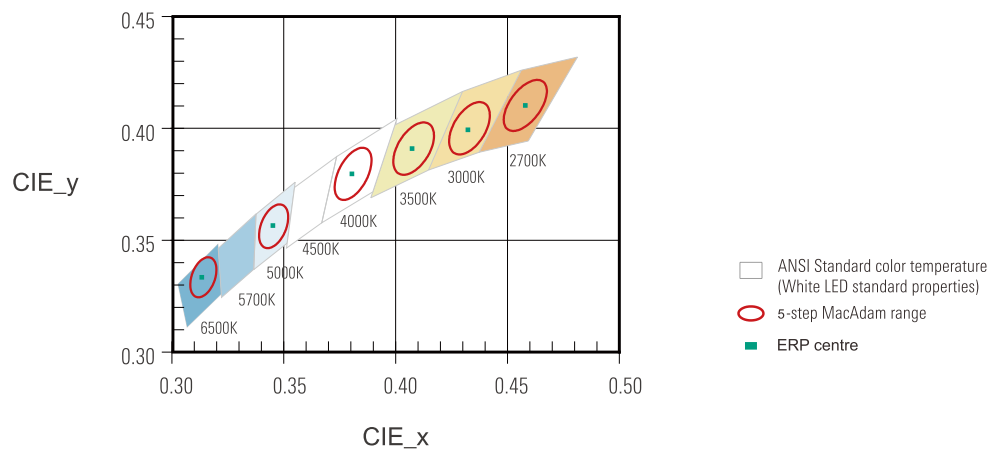
1 Bag per inner box

5 Box per carton

Part Number	Outer Box Dimension (inch)	Inner Box Dimension (inch)	Quantity Per Carton (inch)	Net Weight (kg)	Gross Weight (kg)
JE-00XY-FN-24V (CC)	24.21*24.21*8.07"	23.62*23.62*1.38"	3000"	23.5	29

Given the packing manner difference, the actual packing information is subject to that for the real products.

Coordinates and Tolerances Conform to CIE 1931



	2700K	3000K	3500K	4000K	5000K	6500K
x0	0.463	0.433	0.408	0.380	0.346	0.313
y0	0.420	0.403	0.393	0.380	0.359	0.337

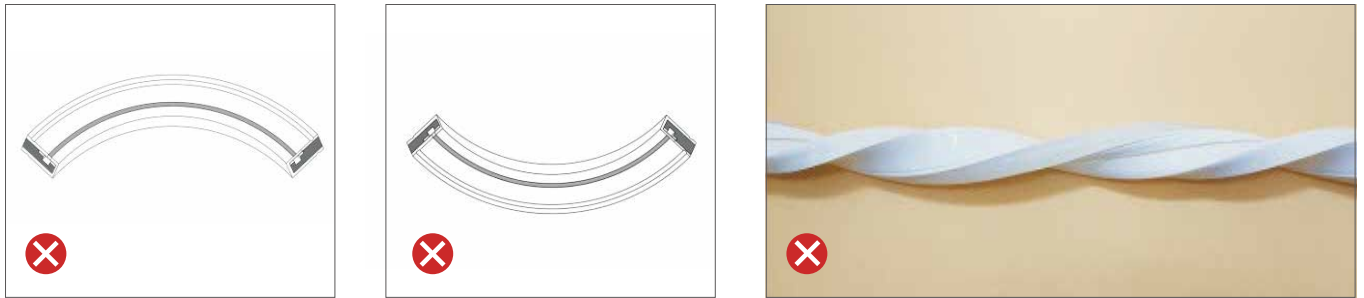
Bending Direction

Please note when installing the strip, not all directions can be bent, bending shape, bending diameter size and direction, please follow the legend below to avoid damage to the LED strip.

Correct Way to Bend (Horizontal Bent /Side Flex)

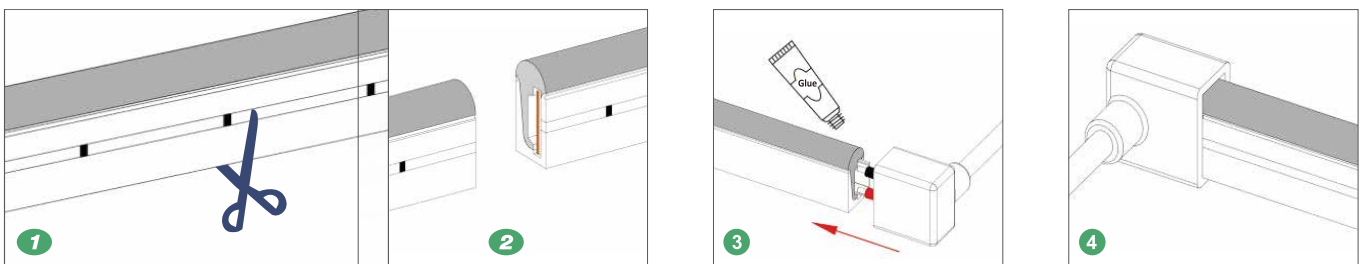


Wrong Way to Bend

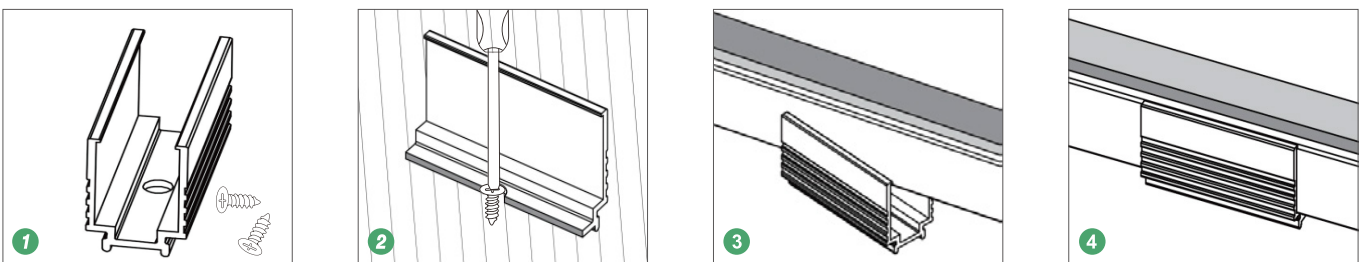


Installation Method

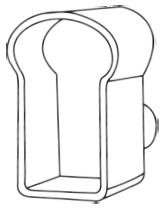
Shear Mounting



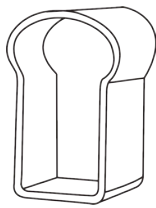
Accessories installation



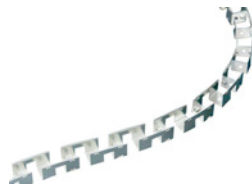
Mounting Accessories



JE-FN-01
Front Feed Cap
1. Dimensions: 0.98" x 0.63" x 1.06"
2. Material: Silicone
3. Color: Semi-transparent
4. Outlet hole diameter: ϕ 0.16"



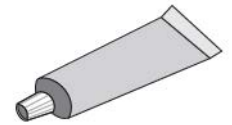
JE-FN-02
Tail Cap
1. Dimensions: 0.55" x 0.63" x 1.06"
2. Material: Silicone
3. Color: Semi-transparent



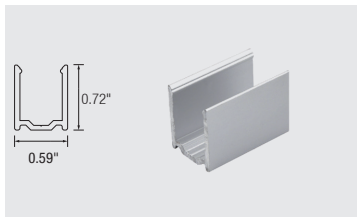
JE-FN-03
Curved-profile
1. Dimensions: 0.51" x 0.7"
2. Material: Stainless steel
3. Color: Silver
4. Surface Treatment: Anodized
5. Screw Hole Diameter: ϕ 0.14"
6. Length: 50FT/roll



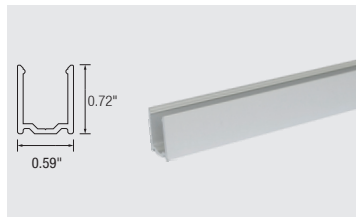
JE-FN-04
Flexible LED Neon Cutter & File Set
1. Material: Stainless steel
2. Color: Silver



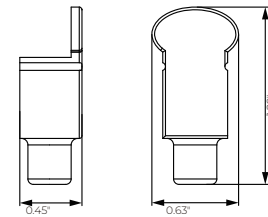
JE-FN-05
Silicone Adhesive
1. Material: Silicone adhesive
2. Color: ivory-white



JE-FN-06
Aluminium mounting clips
1. Dimension: 0.79" x 0.59" x 0.72" (L x W x H)

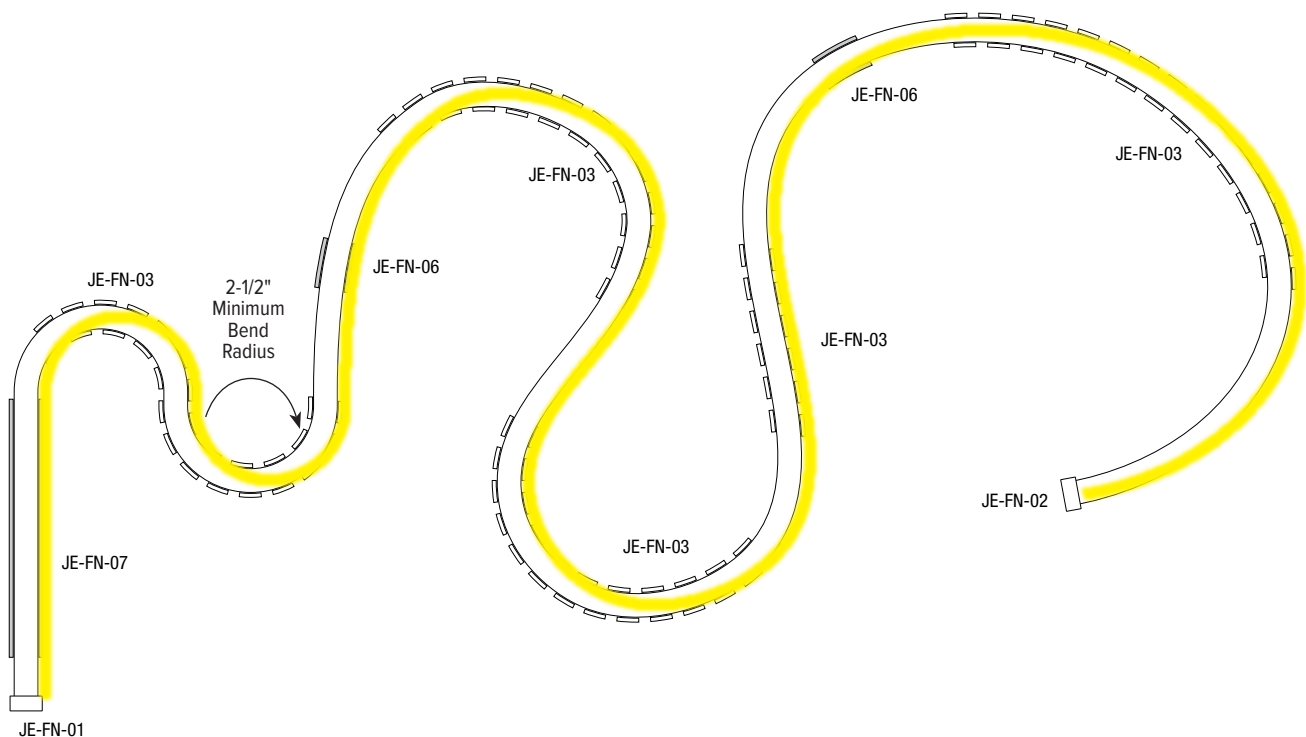


JE-FN-07
Aluminium profile
1. Dimension: 38.19" x 0.59" x 0.72" (L x W x H)



JE-FN-08
Bottom End Power Feed
1. Dimension: 1.29" x 0.63" x 0.45" (L x W x H)
2. Material: Silicone
3. Color: Gary
4. Outlet hole diameter: 0.63"

Tape Configuration Example



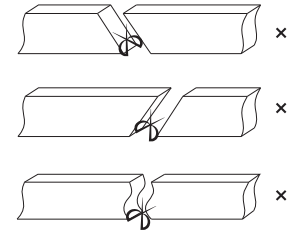
Cutting Mark



Remark:
The bottom of the led strip has transparent window, the black marker is the cutting position



Use professional scissors to cut vertically at the cutting mark



Please don't be feel free to cut and cut into an oblique angle or cambered section.

Instructions

- 01) Disassembling or modifying the product is not allowed.
- 02) Installation with power on is not allowed.
- 03) Any organic solvent chemical is not allowed.
- 04) Isolation and corrosion prevention on all wiring points and wire ends.
- 05) Make sure the power wire is big enough and ensure the voltage and connection are all correct before power on.
- 06) Installation, maintenance should be done by professional staff.
- 07) The power wire between power supply and LED strips should be less than two meters to keep the same brightness on all parts.
- 08) Do not power on during installation or assembly of the light strip, to avoid short-circuiting and burning out of the light strip due to misoperation during the operation
- 09) The lamp beads can only be powered on when they are connected, installed and correct.
- 10) When installing, try to avoid excessive bending and twisting of the light strip, so as not to damage the conductive components and cause defects.
- 11) The LED flexible light strip can only be cut at the place where the cut mark is printed on the light strip. Cutting at other places will damage the circuit circuit of the light strip and cause some lamp beads to not light up.
- 12) The maximum bending diameter of this product: >3.93".

Declaration

- 01) To ensure the safety, the broken wires need to be replaced by the manufacturer or the service agent, or by the qualified staff.
- 02) The given data in the specification is the laboratory data, there may be discrepancy found in the actual products.
- 03) The given drawings in the specification are only for reference, there may be discrepancy found in the actual products.
- 04) The products are subject to change without prior notification.