

COMBO LED EXIT EMERGENCY LIGHT

SZ-EXIT-1.2W (R/G)

ILLUMINATION

2 x 1.2W LED heads

ELECTRICAL

Universal 120-277 voltage input.

Built-in 3.6V700mAH rechargeable Ni-cd battery for minimum 90 minutes emergency operation

Maximum 24 hours for full recharge time

Test switch and charge indicator

MOUNTING

Innovative, easy installation in minutes

Universal J-box mounting pattern

Wall/ceiling mount, single / double EXIT face Red / green switchable

HOUSING

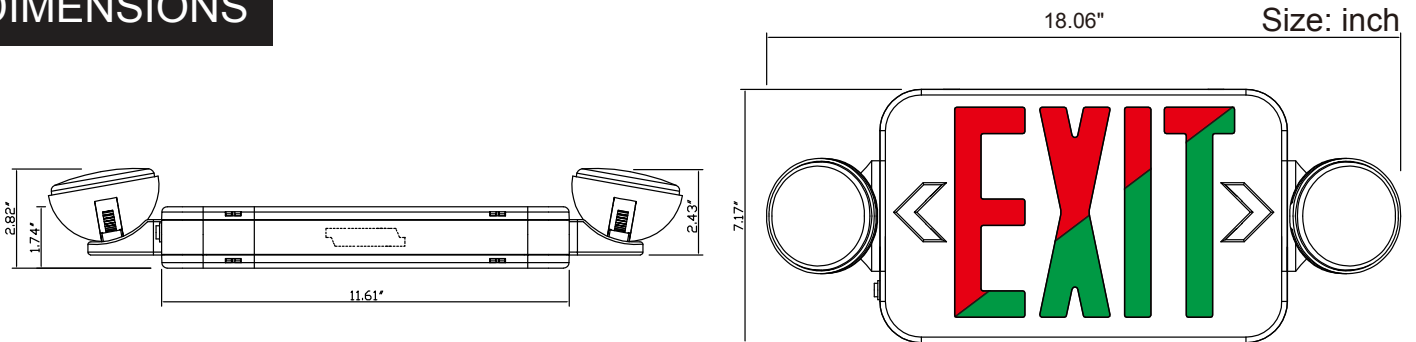
Injection-molded, engineering grade. 5VA flame retardant, high-impact resistant, thermoplastic in white or black finish.

WARRANTY/LISTING

Five years warranty on all electronics and housing. Five years warranty for battery

cUL and UL Listed for damp location(0°C-40°C),

DIMENSIONS



Red + Green in one

