

Architectural LED Linear Fixture



Features:

- 2' - 4' - 8' Linear Fixture lengths
- Black and White finishes
- Suspended/Surface/Wall mounting available
- PS Frosted lens standard (additional options available)
- Indirect/Direct with selectable distribution Integrated plug-in connectors for sleek designs



Dimensions: **Selectable CCT:**
 2.75" W x 3.15" H 3500K 4000K 5000K



Fixture linking:

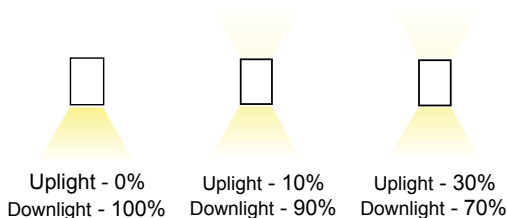
Max. linkable quantity

| Down Linear | 2FT | 4FT | 8FT |
|-------------|-----|-----|-----|
| AC120V | 18 | 9 | 5 |
| AC277V | 40 | 20 | 10 |

| Up / Down Linear | 2FT | 4FT | 8FT |
|------------------|-----|-----|-----|
| AC120V | 12 | 8 | 4 |
| AC277V | 28 | 17 | 8 |

Linear can be gapless as long as needed using multiple power cables.

Selectable Distribution:



Connector Options:

“—” Joiner



Illuminated “L”



Illuminated “T”



Illuminated “X”



Illuminated “V60”



Illuminated “V120”



Illuminated “Y”



Illuminated “I”



Architectural LED Linear Fixture

ORDERING GUIDE

Example: SZ-ALF50W-4FT-ACP

| Company Code | Fixture Type | Wattage | Size | lighting effect | ACP | optional |
|--------------------|---|--|----------------------------|------------------|---|---|
| SZ Company Name | ALF Architectural LED Linear Fixture | 25W Max 40W Max 50W Max 80W Max 100W Max | 2FT 2' 4FT 4' 8FT 8' | Blank 115LM/W | ACP Adjustable CCT and Power 25W: 15/20/25W 3500K/4000K/5000K 40W: 15/20/25/30/40W 3500K/4000K/5000K/5700K/6500K 50W: 30/40/50W 3500K/4000K/5000K 80W: 50/64/80W 3500K/4000K/5000K 100W: 50/60/70/80/100W 3500K/4000K/5000K/5700K/6500K | Blank Without Sensor MS Motion sensor (Option) EM with Emergency Driver (Option) |

Specifications

Housing

One-piece extruded aluminum with PS Lens.

Mounting

Pendant Mount, Recessed Mount for Drywall Ceiling, wall mount, & surface mount.

Electrical

Standard 120V - 277V
0-10V dimming standard with a dimming range of 100% to 10%. PF > 0.9. THD <20%.

CCT and CRI

Field selectable: 3500K, 4000K, and 5000K. CRI 80.

Operating Temperature

Suitable for use in -20° C to 45° C (-4° F to 113° F).

Efficacy

115 lumens per watt.

Lifespan

L70 >50,000 Hours at 25°C (77°F).

Certifications

UL Listed. DLC5.1

Warranty

5-year limited warranty.

Options



Standard: Integrated down lighting

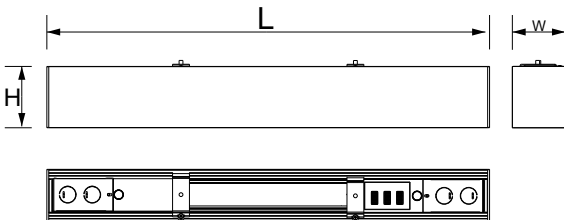


Standard: Integrated up/down lighting



Optional: Know-down modular of Up Lighting

Product Dimension

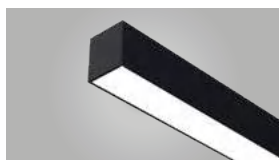


| Model | Size |
|------------|-----------------------------------|
| SZ-ALF-2FT | 575x70x80(mm)/22.63"x2.75"x3.15" |
| SZ-ALF-4FT | 1150x70x80(mm)/45.28"x2.75"x3.15" |
| SZ-ALF-8FT | 2300x70x80(mm)/90.55"x2.75"x3.15" |

Finish Options



White



Black

Housing Material: Aluminum

Optics: PS Lens

Finish: White, Black

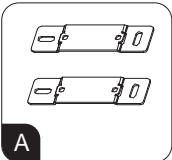
Architectural LED Linear Fixture

Surface Mounting

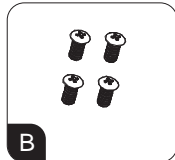
► Safety Instructions

1. Read this instruction carefully before installation
2. Installation should be in accordance with national and local electrical laws and regulations
3. Product should installed by qualified and licensed electrician
4. Do not install in humid places, for dry and non-humid environments only.
5. Always turn off the power supply before installation or maintenance
6. To reduce the risk of fire and overheating, make sure all connections are tight
7. Fixtures should not covered with thermal insulation pads or similar materials at any circumstance
8. Do Not use out doors

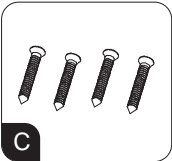
► Parts List:



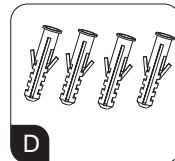
Surface-mounted Brackets



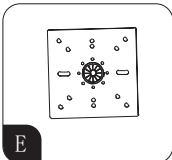
Short Screws



Long Screws

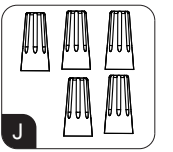


Anchors

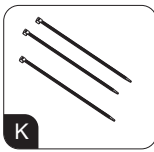


Square Plate

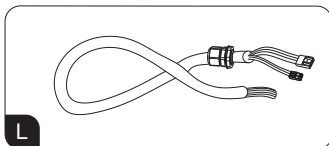
Driver's wires package(optional)



Wire Nuts

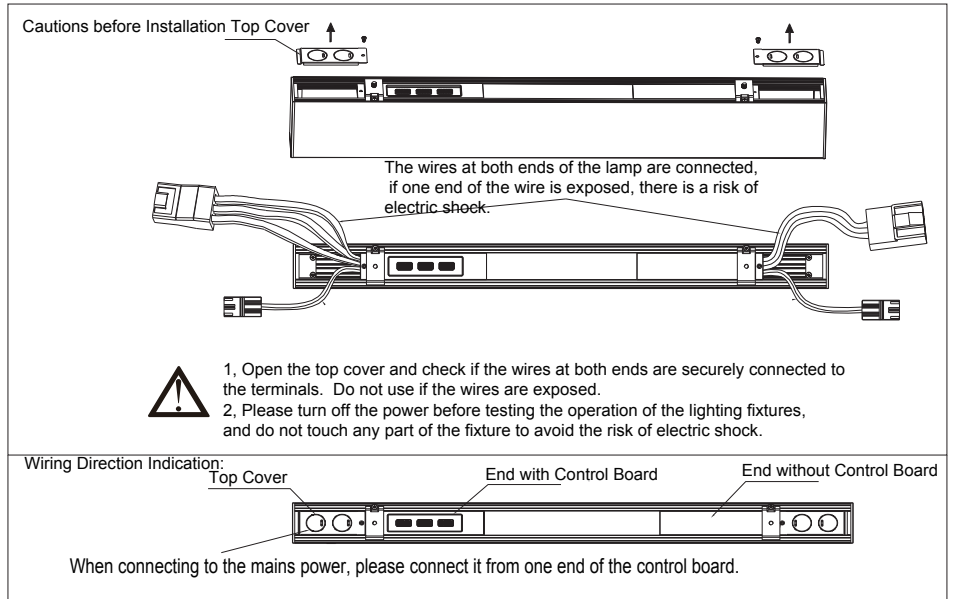


Ties

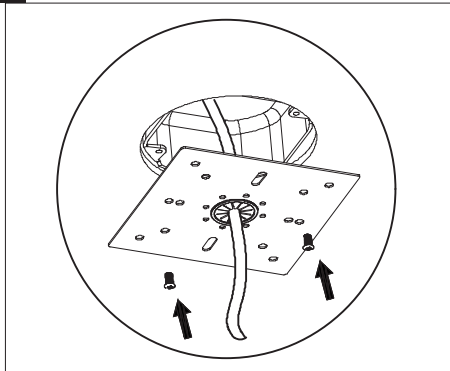


Wires accessories

Mounting Steps

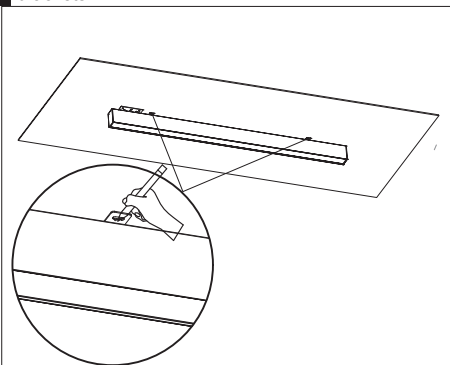


- 1** Attached square plate onto the junction-box with screws

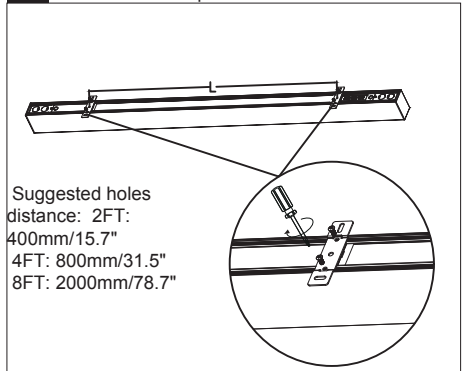


Put and press the fixture onto mounting surface, then mark the mounting positions from brackets for step 4.

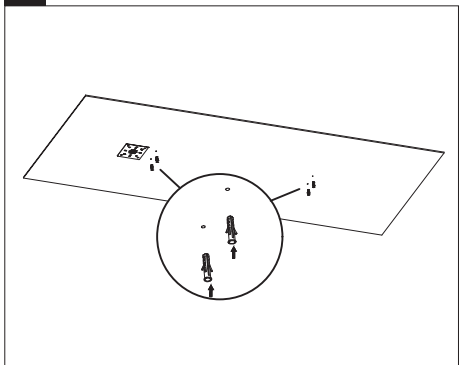
- 3** brackets



- 2** Fix the 2 surface-mounted brackets to fixture back with provided short screws



- 4** Drill the holes according to the marks and insert the anchors

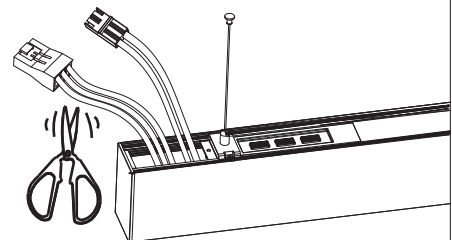


- 5** Cut off the corresponding terminals as required.

Three-position terminal: BLACK (LINE)
WHITE (NEUTRAL)
GREEN (GRD)

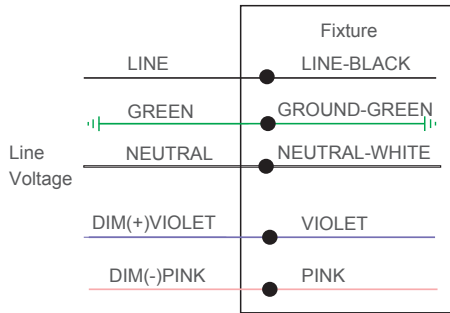
Two terminal: PURPLE (DIM +)
PINK (DIM -)

1. After cutting off the connecting terminals, the lighting fixture will no longer be able to link with other fixtures through terminals.
2. After cutting the wires, please ensure proper protection and labeling, and avoid using them for secondary wiring.



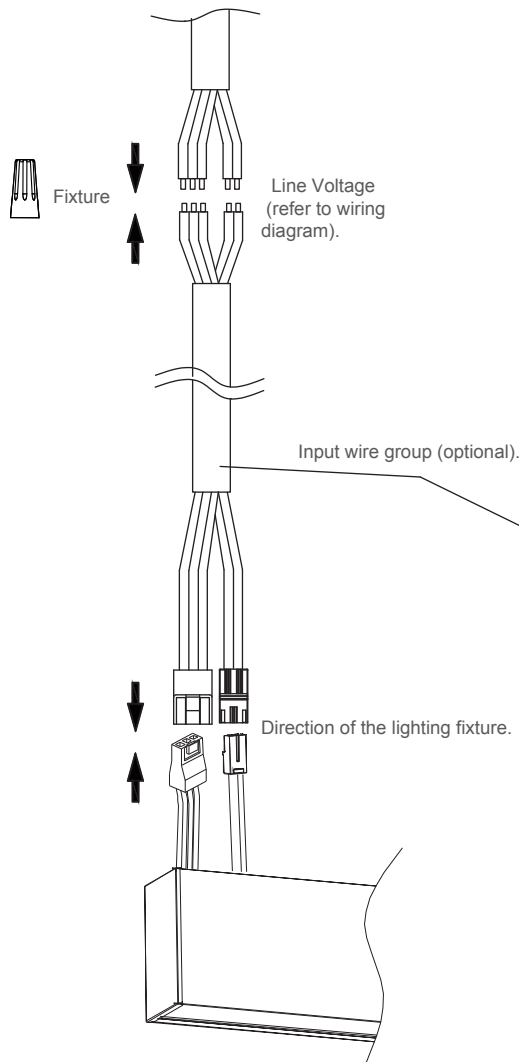
Architectural LED Linear Fixture

Wiring Diagram



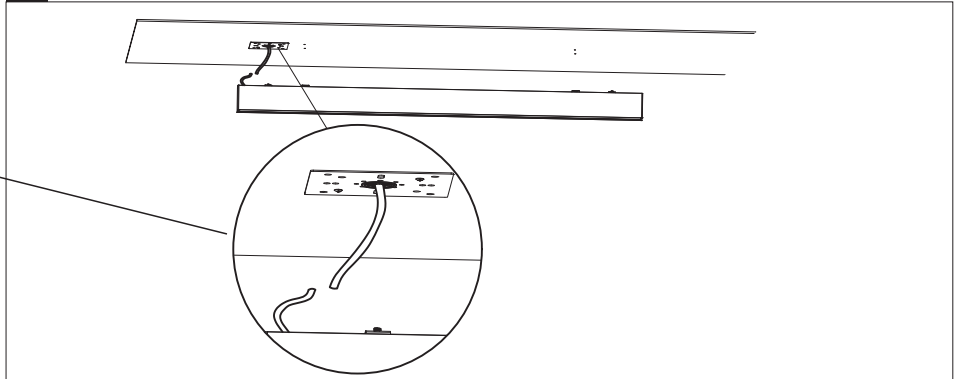
1. If dimming is not used, please separate the dimming wires with nuts.
2. Wiring must follow up the wiring diagram.
3. Remind again: Cut off the power supply before operation.

Wiring Diagram

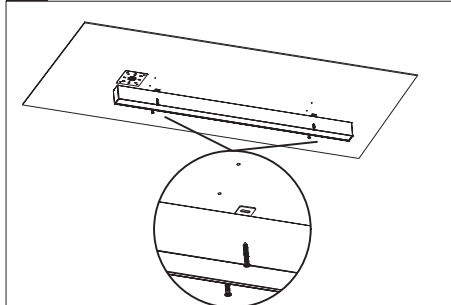


Three terminals: neutral wire, live wire, ground wire
Two terminals: DIM+ (purple), DIM- (pink)

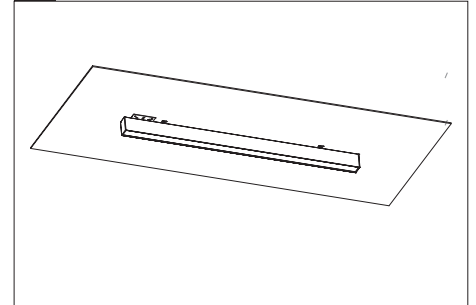
6 Make wiring according to wiring diagram , screw back the cover.



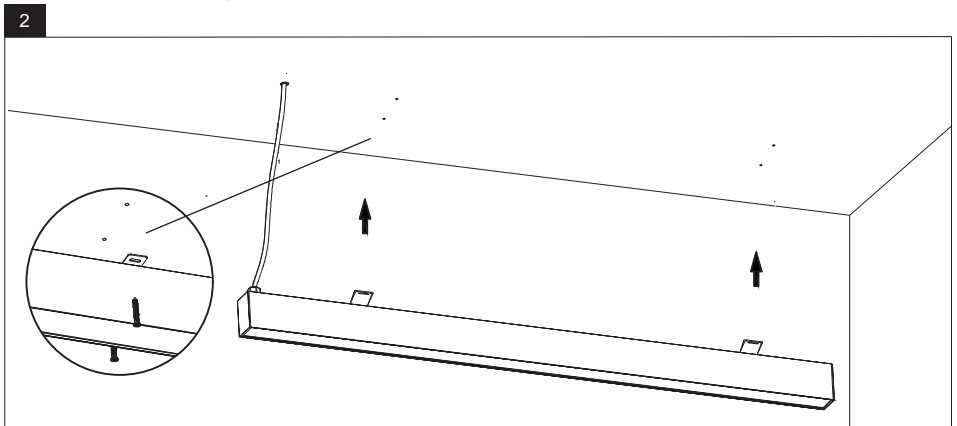
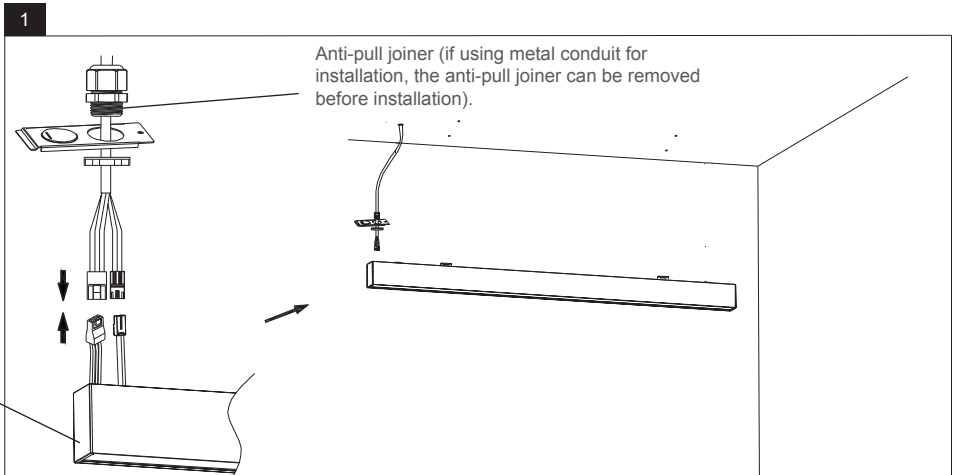
7 Secure the fixture to the mounting surface with long screws.



8 Installation completed.



Input wire group (optional).



Architectural LED Linear Fixture

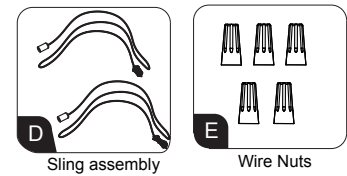
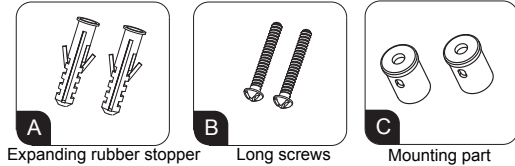
Pendant Mounting

Safety Instructions

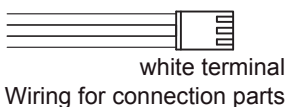
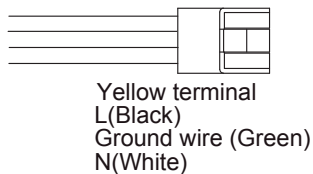
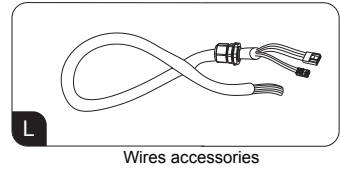
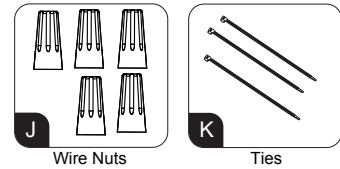
- 1, Read this instruction carefully before installation
- 2, Installation should be in accordance with national and local electrical laws and regulations
- 3, Product should installed by qualified and licensed electrician
- 4, Do not install in humid places, for dry and non-humid environments only.
- 5, Always turn off the power supply before installation or maintenance
- 6, To reduce the risk of fire and overheating, make sure all connections are tight
- 7, Fixtures should not covered with thermal insulation pads or similar materials at any circumstance
- 8, Do Not use out doors

Parts List

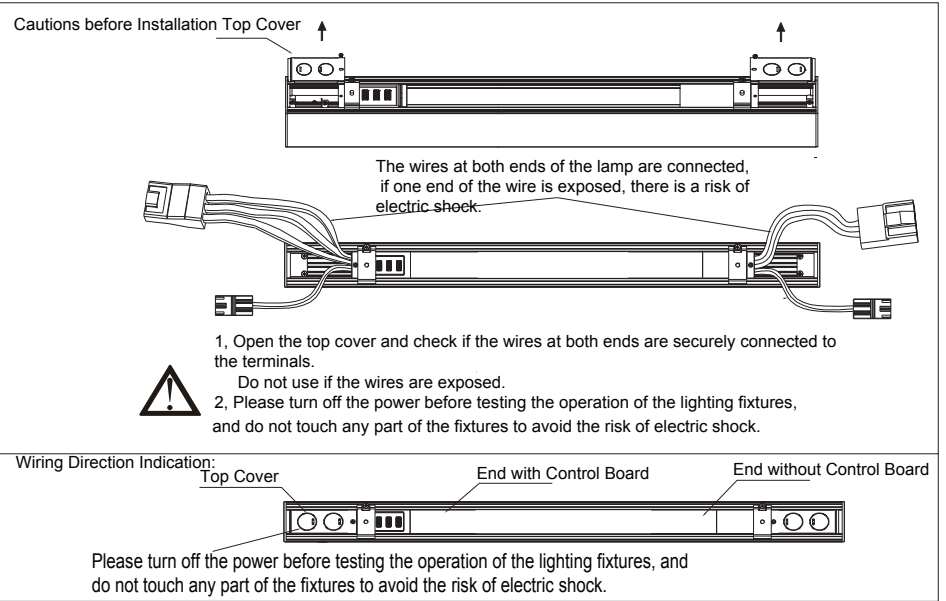
Hanging plate accessories



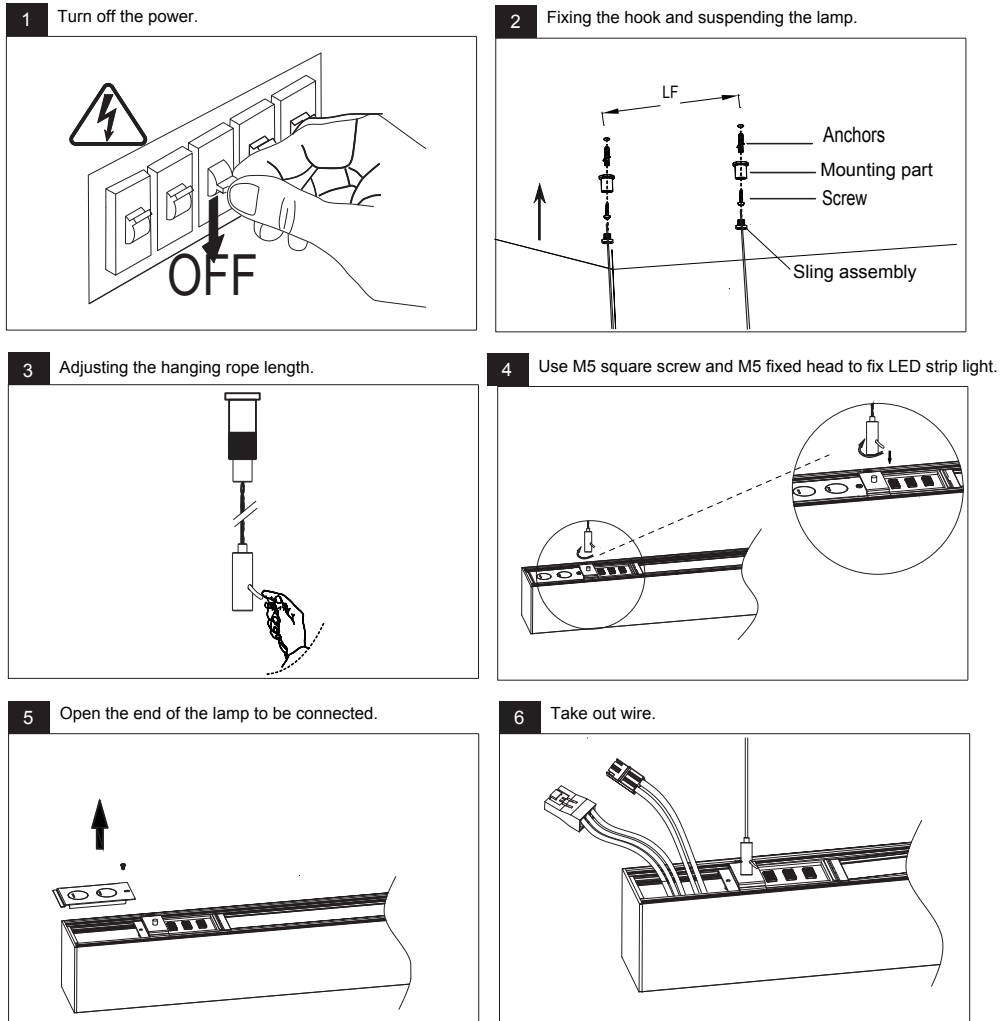
Driver's wires package(optional)



Function description of the control board

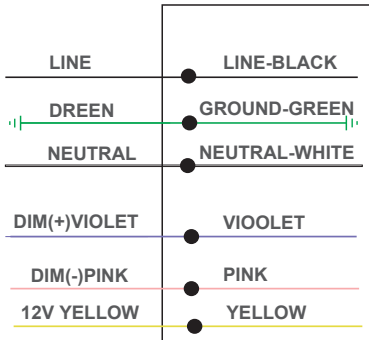


Mounting Steps



Architectural LED Linear Fixture

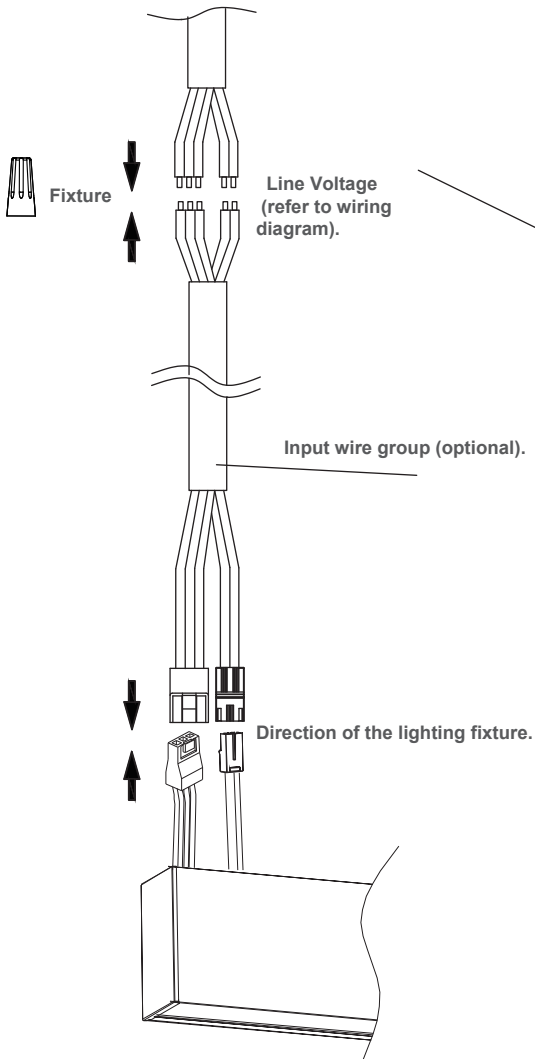
Wiring Diagram



1. If dimming is not used, please separate the dimming wires with nuts.
2. Wiring must follow up the wiring diagram.
3. Remind again: Cut off the power supply before operation.



Wiring Diagram



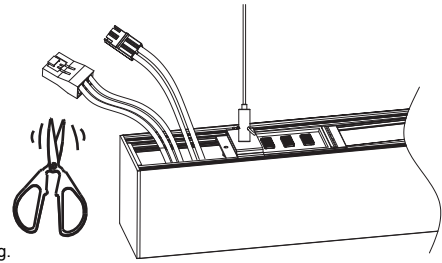
Three terminals: neutral wire, live wire, ground wire Two terminals: DMI+ (purple), DIM- (pink)

7 Cut off the corresponding terminals as required.

Three-position terminal: BLACK (LINE)
WHITE (NEUTRAL)
GREEN (GRD)

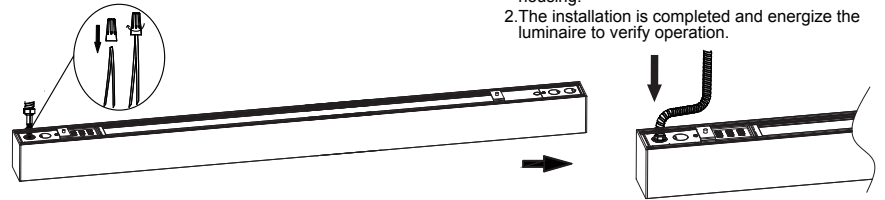
Two terminal: PURPLE (DIM +)
PINK (DIM -)

1. After cutting off the connecting terminals, the lighting fixture will no longer be able to link with other fixtures through terminals.
2. After cutting the wires, please ensure proper protection and labeling, and avoid using them for secondary wiring.



8 Turn off the power and wiring by using wire nut,

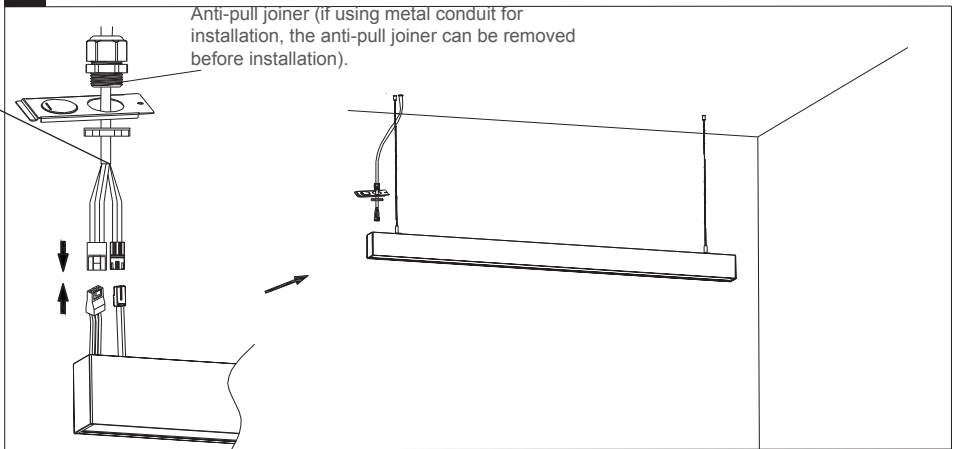
1. Insert the terminal block and wires into the lamp housing.
2. The installation is completed and energize the luminaire to verify operation.



Input wire group (optional).

1

Anti-pull joiner (if using metal conduit for installation, the anti-pull joiner can be removed before installation).



Architectural LED Linear Fixture

Recessed Mounting for Drywall Ceiling

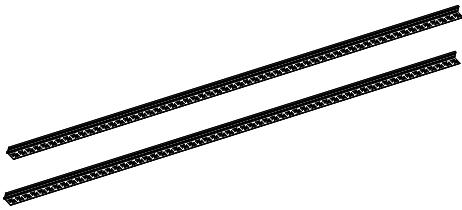
► Safety Instructions

1. Read this instruction carefully before installation
2. Installation should be in accordance with national and local electrical laws and regulations
3. Product should installed by qualified and licensed electrician
4. Do not install in humid places, for dry and non-humid environments only.
5. Always turn off the power supply before installation or maintenance
6. To reduce the risk of fire and overheating, make sure all connections are tight
7. Fixtures should not covered with thermal insulation pads or similar materials at any circumstance
8. Do Not use out doors

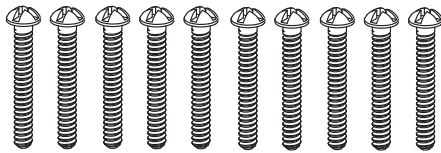
► Parts List:



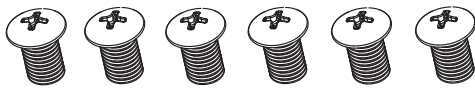
Pre-buried Cantilever Section A



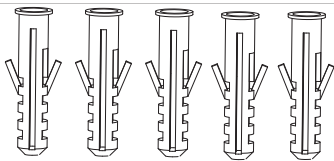
Pre-buried Cantilever Section B



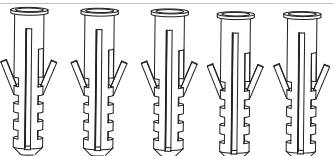
Long screw



Short screw



Anchors



Mounting Steps

Cautions before Installation Top Cover

The wires at both ends of the lamp are connected, if one end of the wire is exposed, there is a risk of electric shock.

1. Open the top cover and check if the wires at both ends are securely connected to the terminals.
Do not use if the wires are exposed.
2. Please turn off the power before testing the operation of the lighting fixtures, and do not touch any part of the fixtures to avoid the risk of electric shock.

Wiring Direction Indication: Top Cover End with Control Board End without Control Board

When connecting to the mains power, please connect it from one end of the control board.

1 Reserve installation holes in the ceiling.

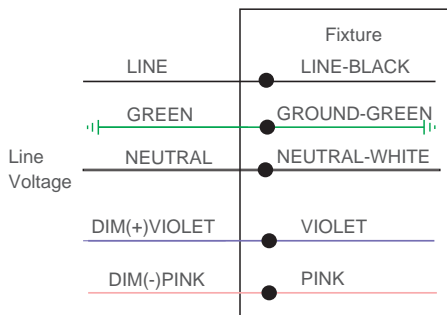
Opening size LxW
 2FT 23.62"x3.15"/600x80mm
 4FT 46.06"x3.15"/1170x80mm
 8FT 90.94"x3.15"/2310x80mm

3 Fix the pre-buried lace on the light body

4 Put and press the fixture onto mounting surface, then mark the mounting positions from brackets, for step 5.

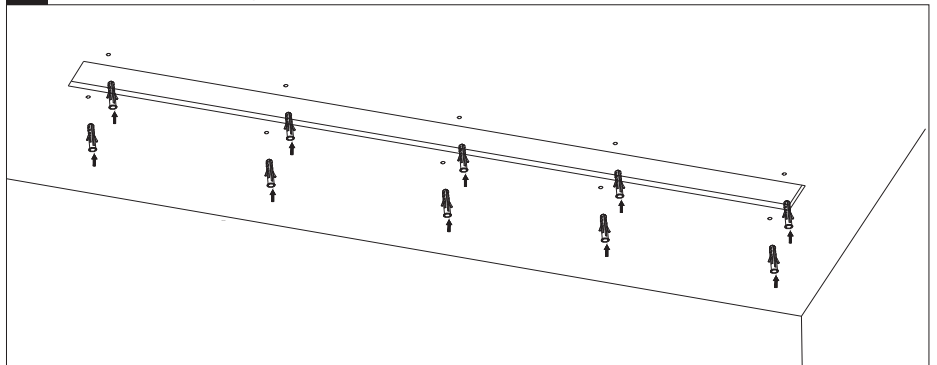
Architectural LED Linear Fixture

Wiring Diagram

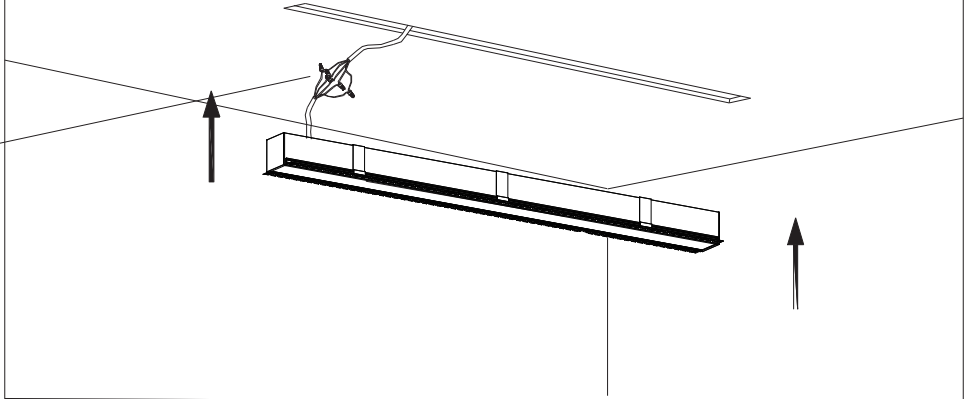


1. If dimming is not used, please separate the dimming wires with nuts.
2. Wiring must follow up the wiring diagram.
3. Remind again: Cut off the power supply

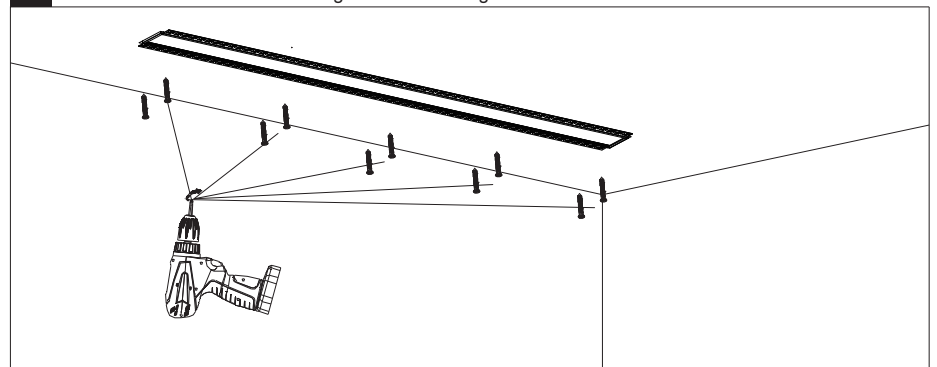
5 Drill the holes according to the marks and insert the anchors



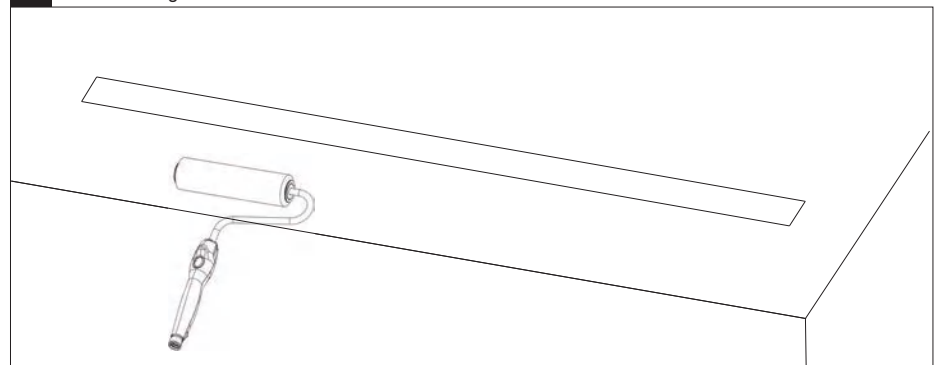
6 Cut off the fixture's connectors for wiring to line voltage if needed, make wiring according to the wiring diagram in the left.



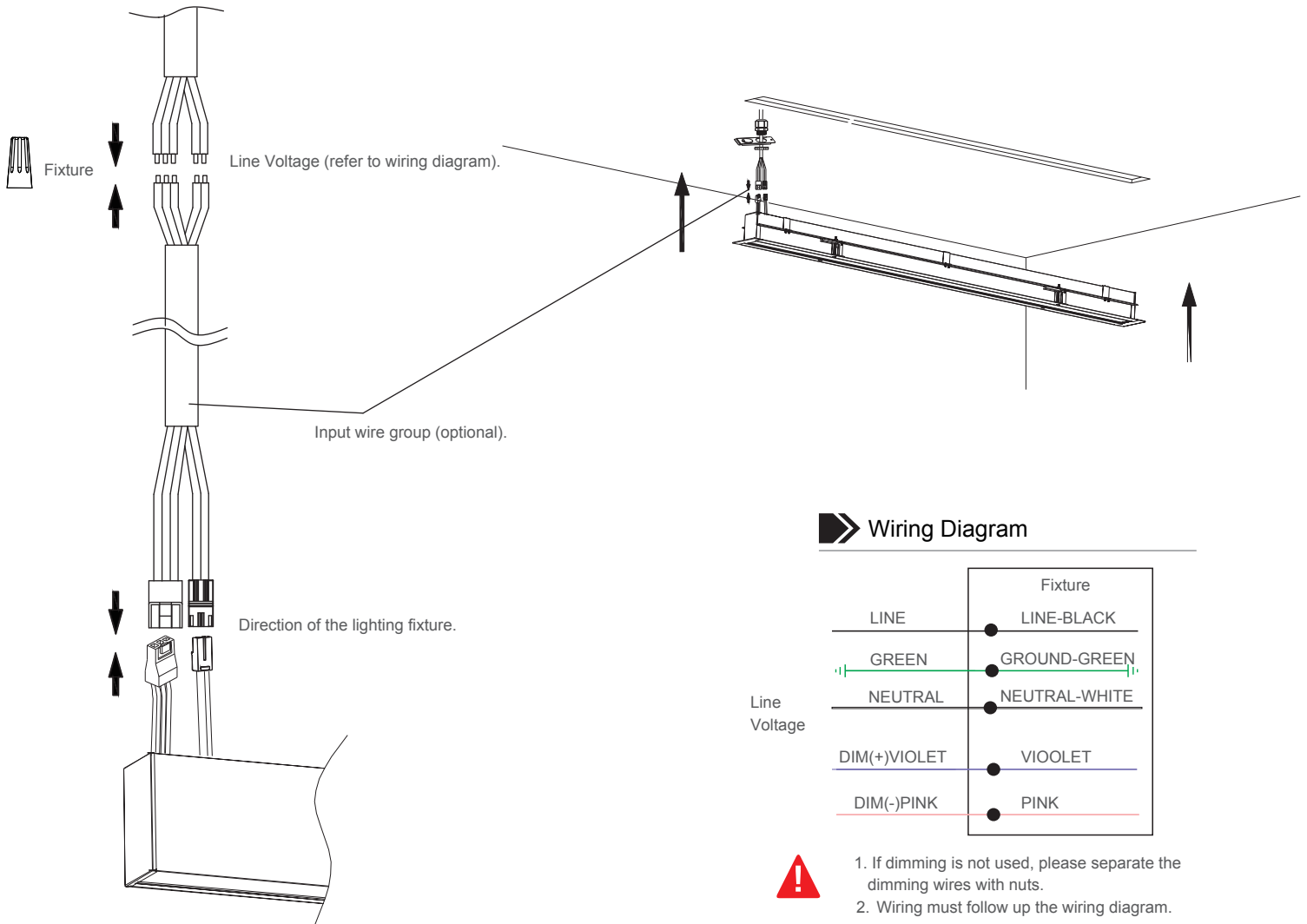
6 Secure the fixture to the mounting surface with long screws



7 Brush coating covers embedded extension

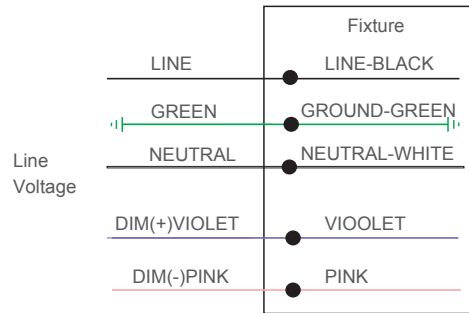


Architectural LED Linear Fixture



Three terminals: neutral wire, live wire, ground wire Two terminals: DIM+ (purple), DIM- (pink)

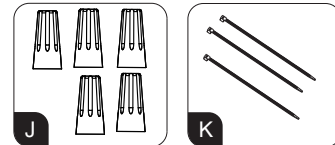
Wiring Diagram



1. If dimming is not used, please separate the dimming wires with nuts.
2. Wiring must follow up the wiring diagram.
3. Remind again: Cut off the power supply before operation.

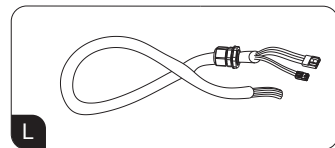
Wiring Diagram B

Driver's wires package(optional)



Wire Nuts

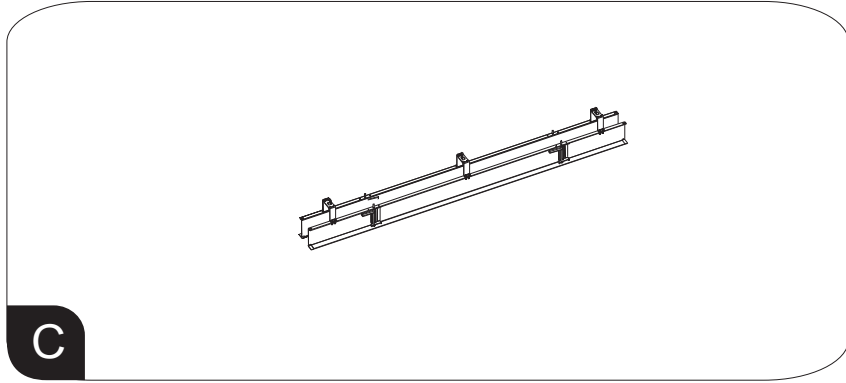
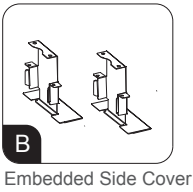
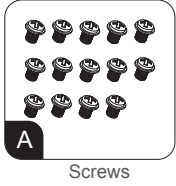
Ties



Wires accessories

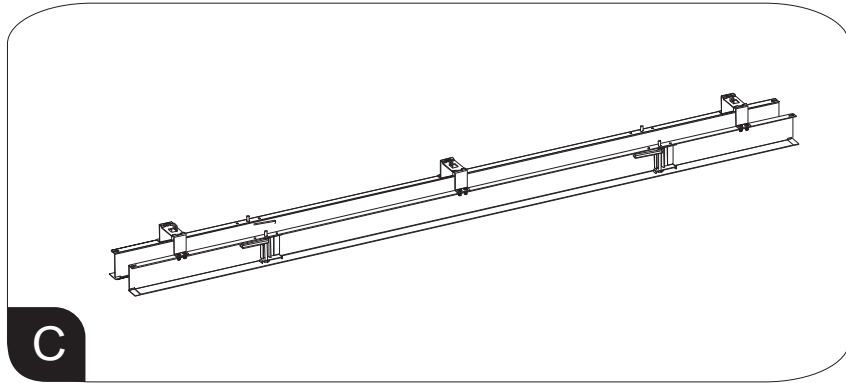
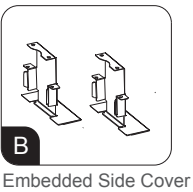
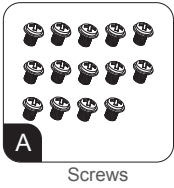
Architectural LED Linear Fixture

1 2FT Embedded installation accessories



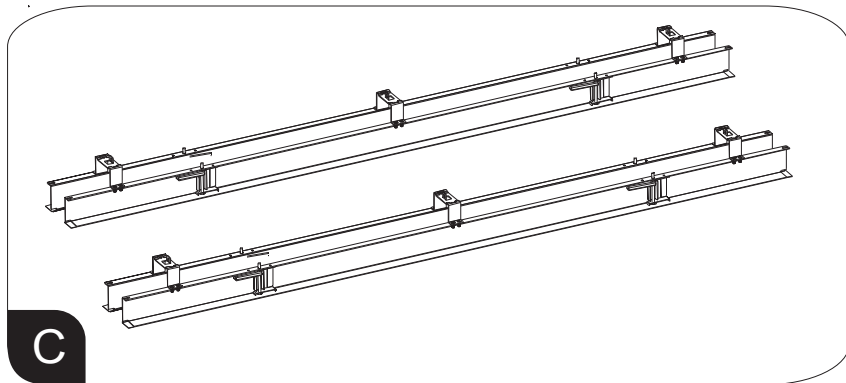
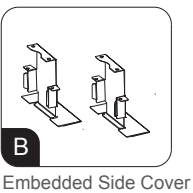
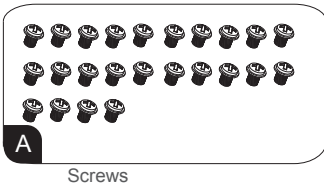
Embedded Mounting Bracket

2 4FT Embedded installation accessories



Embedded Mounting Bracket

3 8FT Embedded installation accessories



Embedded Mounting Bracket

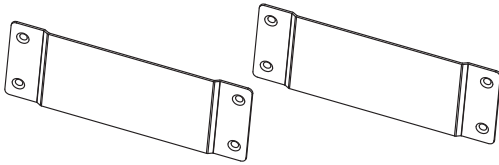
Architectural LED Linear Fixture

Wall Mounting

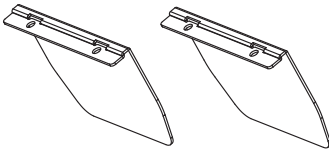
► Safety Instructions

1. Read this instruction carefully before installation
2. Installation should be in accordance with national and local electrical laws and regulations
3. Product should be installed by qualified and licensed electrician
4. Do not install in humid places, for dry and non-humid environments only.
5. Always turn off the power supply before installation or maintenance
6. To reduce the risk of fire and overheating, make sure all connections are tight
7. Fixtures should not be covered with thermal insulation pads or similar materials at any circumstance
8. Do Not use outdoors

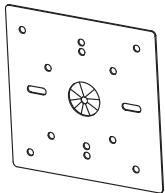
► Parts List:



Mounting plate A



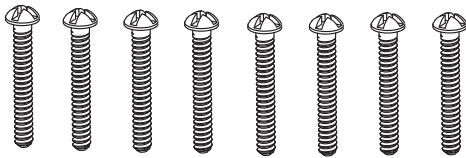
Mounting plate B



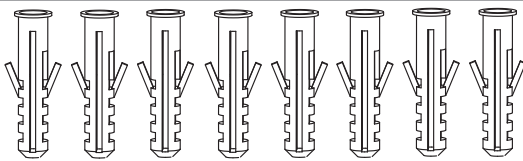
Decorative plate



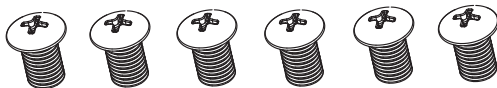
Anti-stretch head



Long screw



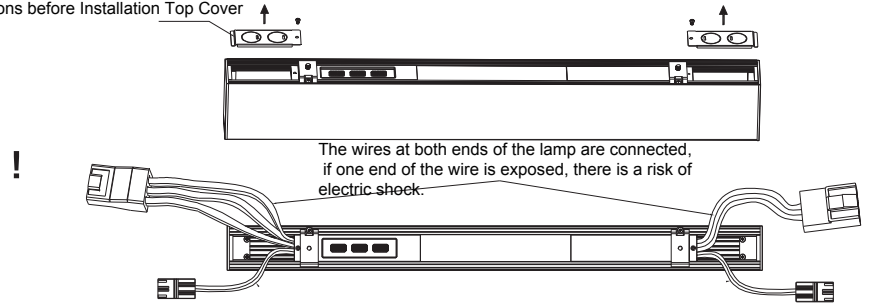
Anchors



Short screw

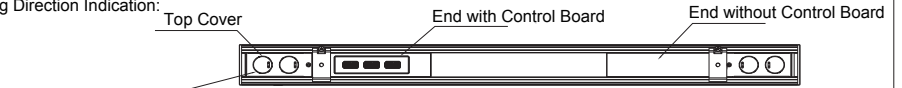
Mounting Steps

Cautions before Installation Top Cover



1. Open the top cover and check if the wires at both ends are securely connected to the terminals.
Do not use if the wires are exposed.
2. Please turn off the power before testing the operation of the lighting fixtures, and do not touch any part of the fixtures to avoid the risk of electric shock.

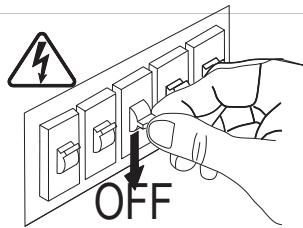
Wiring Direction Indication:



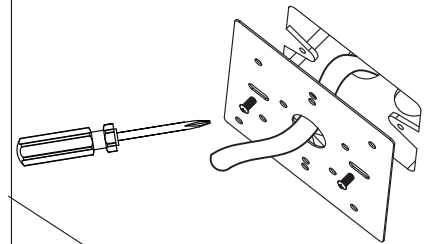
When connecting to the mains power, please connect it from one end of the control board.

Installation instructions

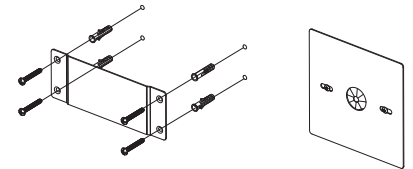
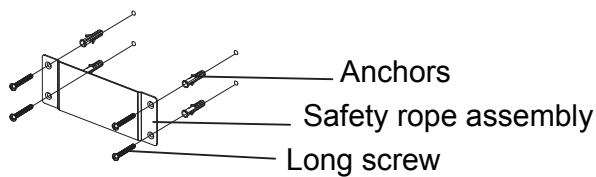
1. Turn off the power.



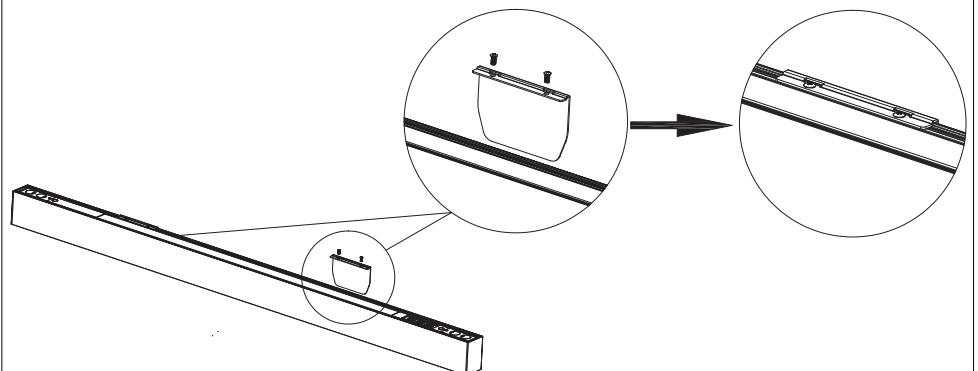
2. Pull out the wire and lock the trim.



3. Set the appropriate distance and install mounting plate A.

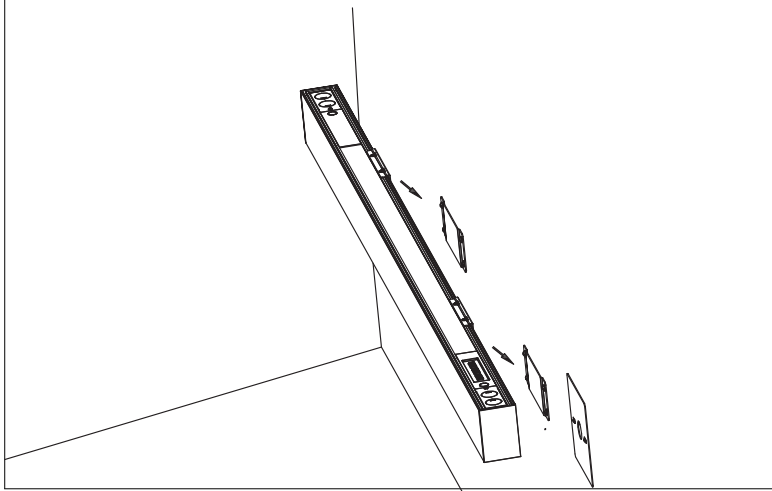


4. Install mounting board B on the lamp body according to the position of mounting board A.

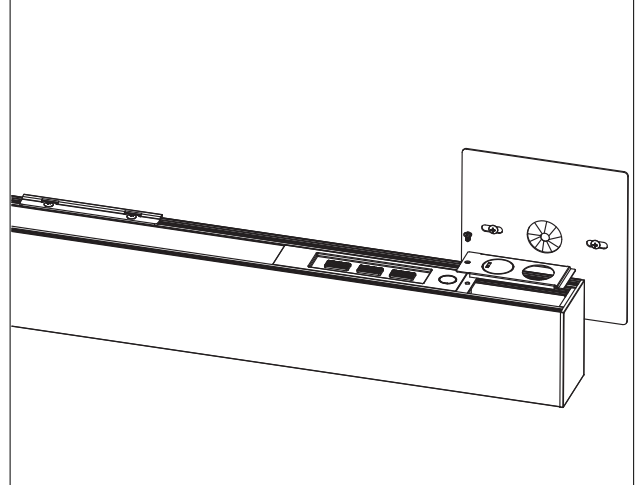


Architectural LED Linear Fixture

5. Insert mounting plate B on the light fixture into mounting plate A on the wall.



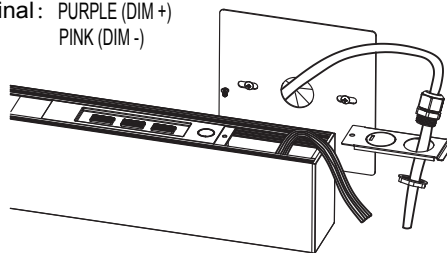
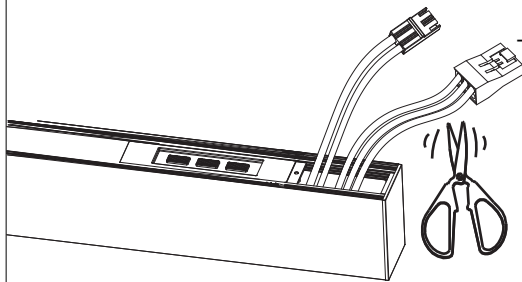
6. Remove one end screw of the lamp to pry open the wire hole.



7. Cut off one end of the terminal as required for wiring.

Three-position terminal: BLACK (LINE)
WHITE (NEUTRAL)
GREEN (GRD)

Two terminal: PURPLE (DIM +)
PINK (DIM -)



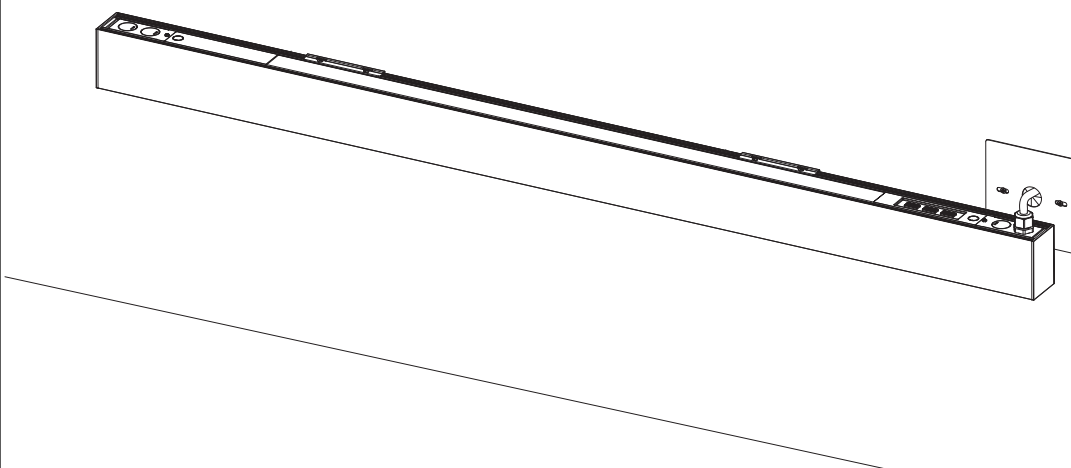
BLACK (LINE)
WHITE (NEUTRAL)
GREEN (GRD)

FIXTURE

To Source
120V-277V/
120V-347V

PURPLE (DIM +)
PINK (DIM -)
Dimming

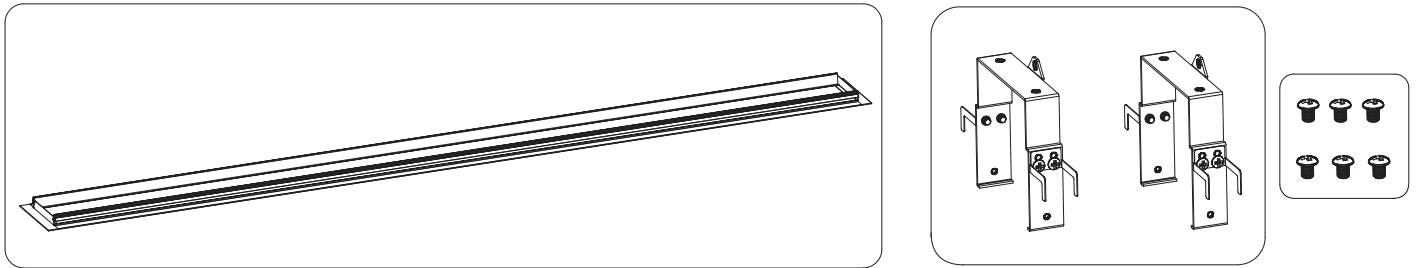
8. Installation complete.



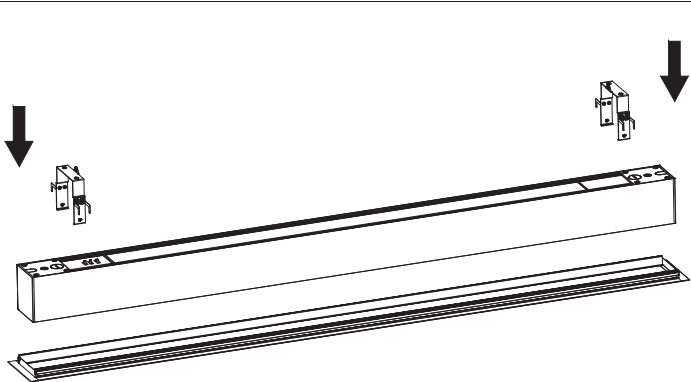
Architectural LED Linear Fixture

T-GRID RECESSED MOUNT INSTALLATION

Parts List



1. Fix the fixture together with the recessed trimmed mounting rail and the fixture fixing bracket.



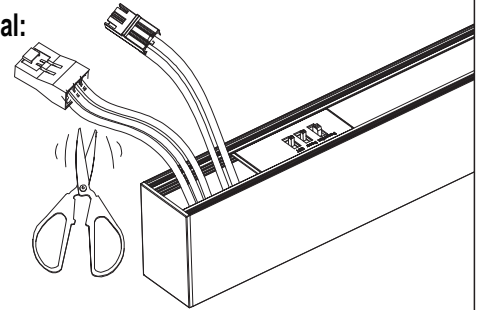
2. Cut off the corresponding terminals as required

Three-position terminal:

BLACK (LINE)
WHITE (NEUTRAL)
GREEN (GRD)

Two terminal:

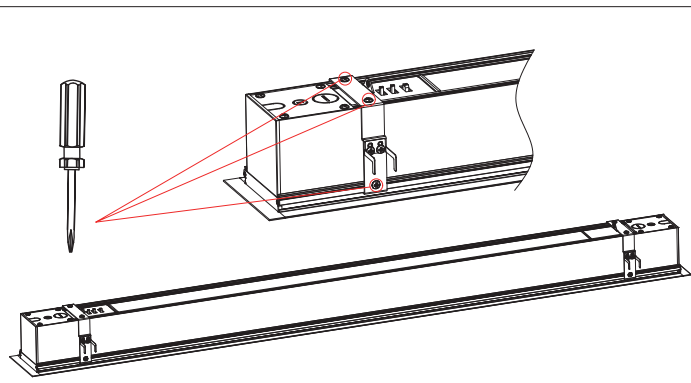
PURPLE (DIM +)
PINK (DIM -)



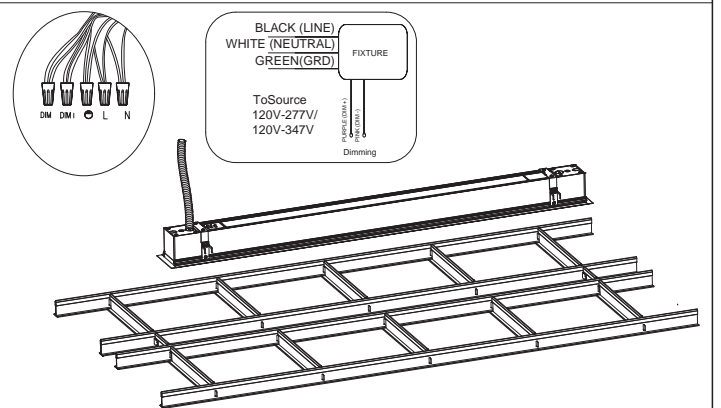
1. After cutting off the connecting terminals, the lighting fixture will no longer be able to link with other fixtures through terminals.

2. After cutting the wires, please ensure proper protection and labeling, and avoid using them for secondary wiring

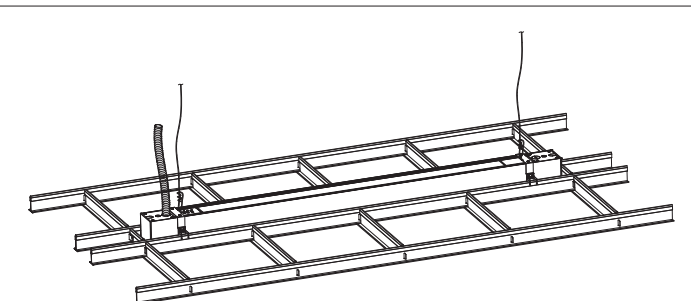
3. Use a screwdriver to lock the bracket in place.



4. Connect the AC cable of the luminaire to the mains power and place the luminaire into the ceiling grid.

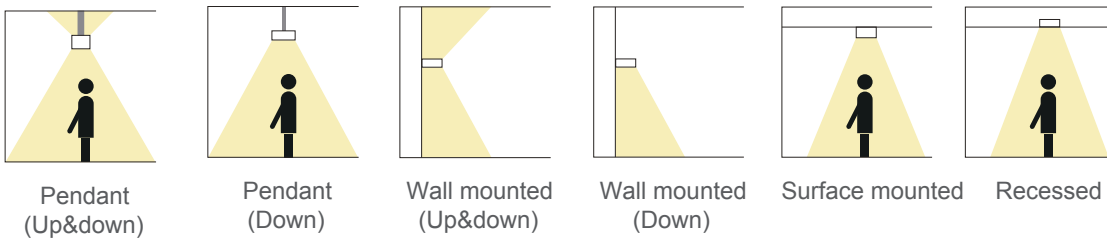
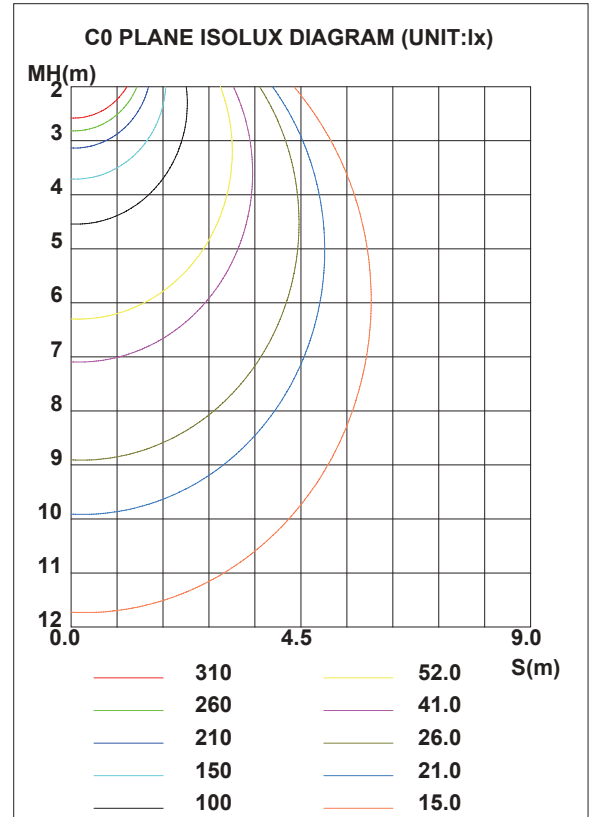
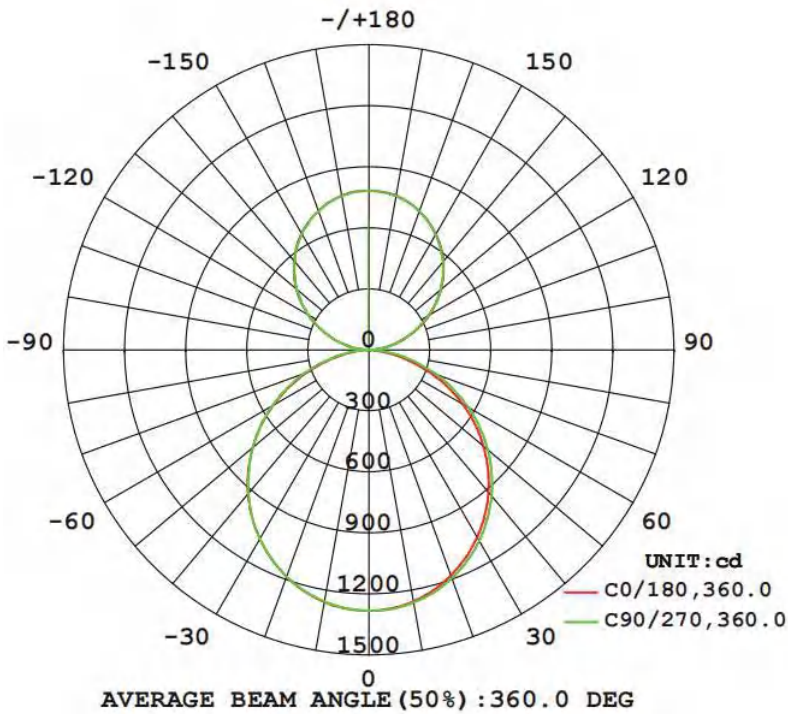


5. The installation is complete.



Architectural LED Linear Fixture

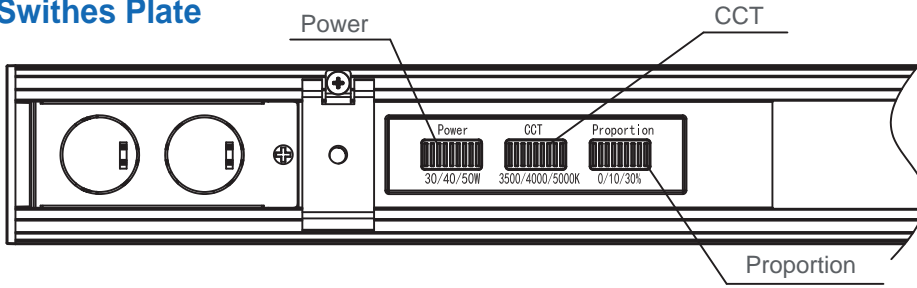
Testing Report



Provides lighting distribution options of 70% Downlight 30% Uplight, 90% Downlight 10% Uplight, 100% Downlight.

Architectural LED Linear Fixture

Switches Plate



Others

The following multiple functions can be achieved according to customers' requests

- 1.Remove or turn off the emergency battery when testing the luminous efficacy.
- 2.Available with external or built-in microwave motion sensor
- 3.Emergency: the power is 8W, it can still work in 1.5hrs while emergency situation.
- 4.Remove or turn off the emergency battery when testing the luminous efficacy.



Accessories



Features:

Slim shape, easy to install

Built-in Lithium Battery

Self Testing

Constant output power(Auto-sensing output within each range)

Battery protections:over charge protection,over discharge protection,short circuit protection

UL listed for factory and field installation-UL 924 and CSA C22.2 NO.141

High-efficiency for CEC Compliance and US DOE.



Emergency Driver



- Tiny PIR Sensor with/out Bluetooth-lesh, Microwave Ver sion Interchangeable.
- Audio-Jack Classic Connection, 0-10V Dimming, with Daylight Harvesting
- Suitable for Indoor Lighting, Panel, Troffer etc.

End Cap w/sensor



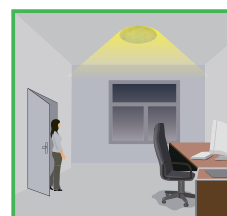
Canopy (for sensor)

The microwave sensor to achieve tri-level dimming control, for same areas that require a light change notice before switch off.

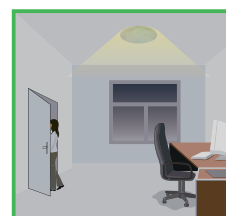
If offers 3 levels of the light Control : 100%-dimming light (0,10%,30%,50%)--off;and 2 periods of selectable waiting time: motion hold-time and stand-by time, Selectable daylight threshold and choice of detection area.



With sufficient natural light, the light does not switch on when presence detected.



With insufficient natural light, the sensor switches on the light automatically when person enters room



People left, light still dims to 0/10%/30%/50% (options) standby level after the hold

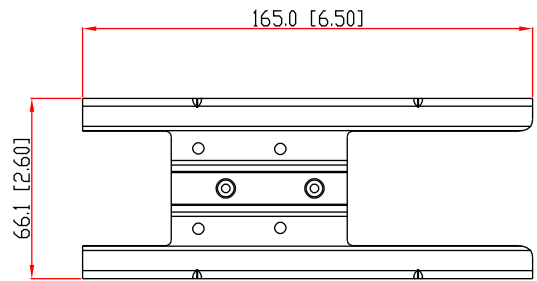


Light switches off automatically after after stand-by time elapsed.

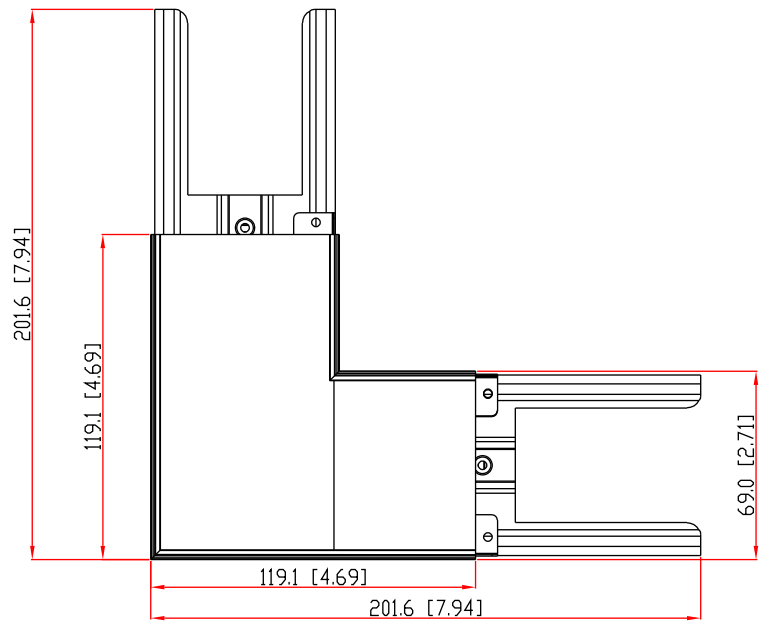
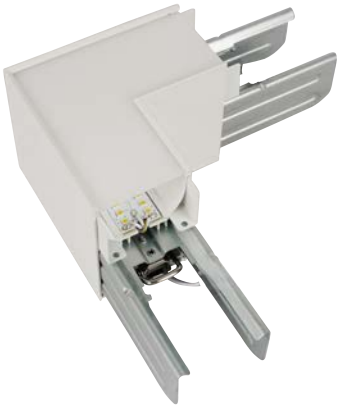
Architectural LED Linear Fixture

Accessories

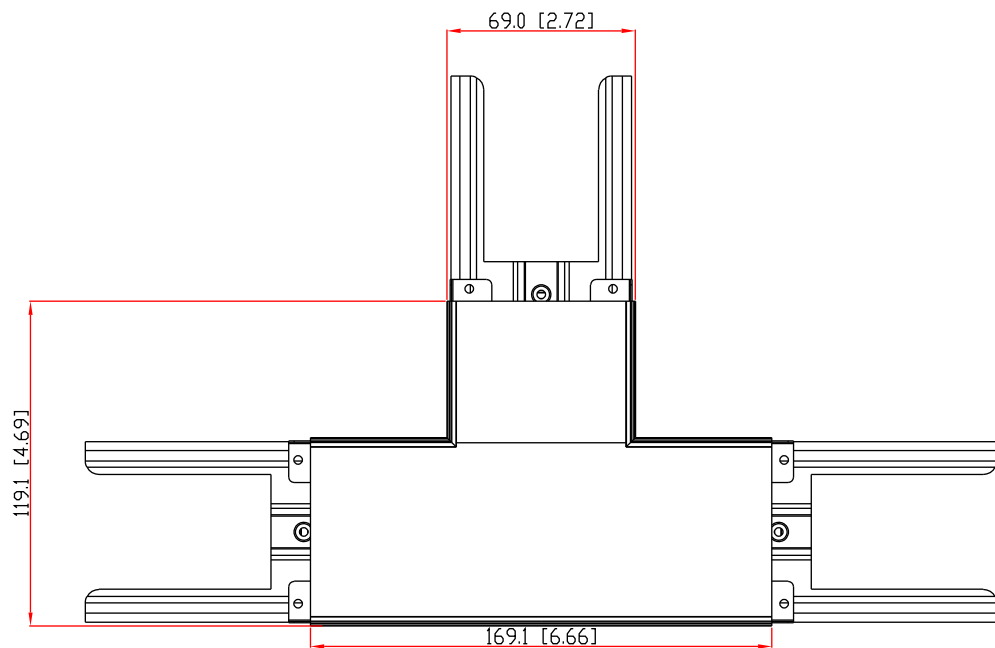
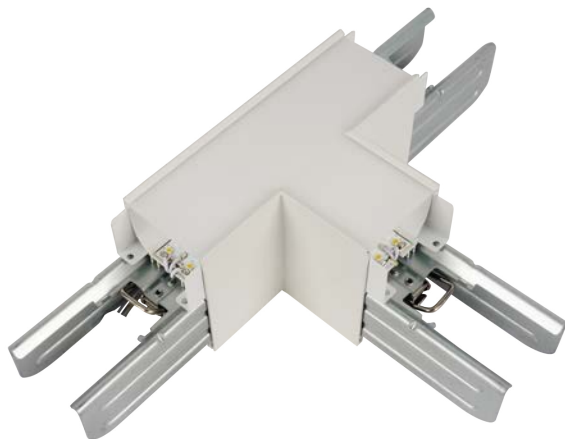
“—”joiner



“L”joiner

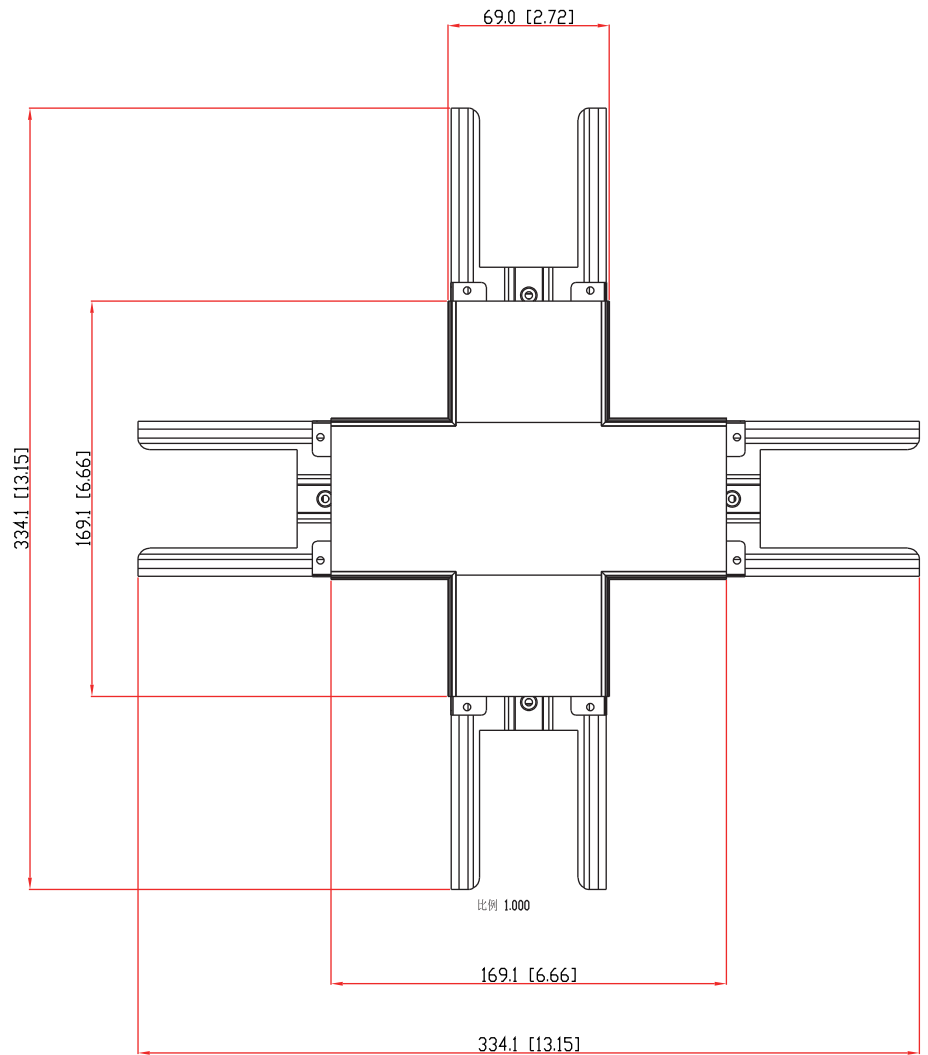
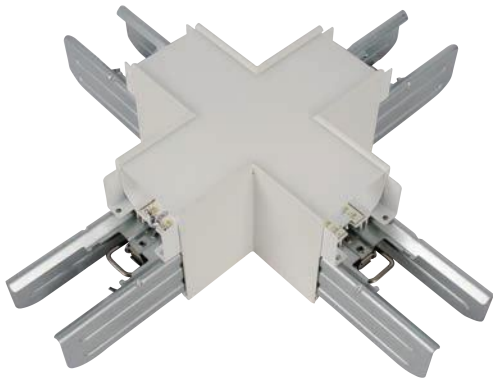


“T”joiner

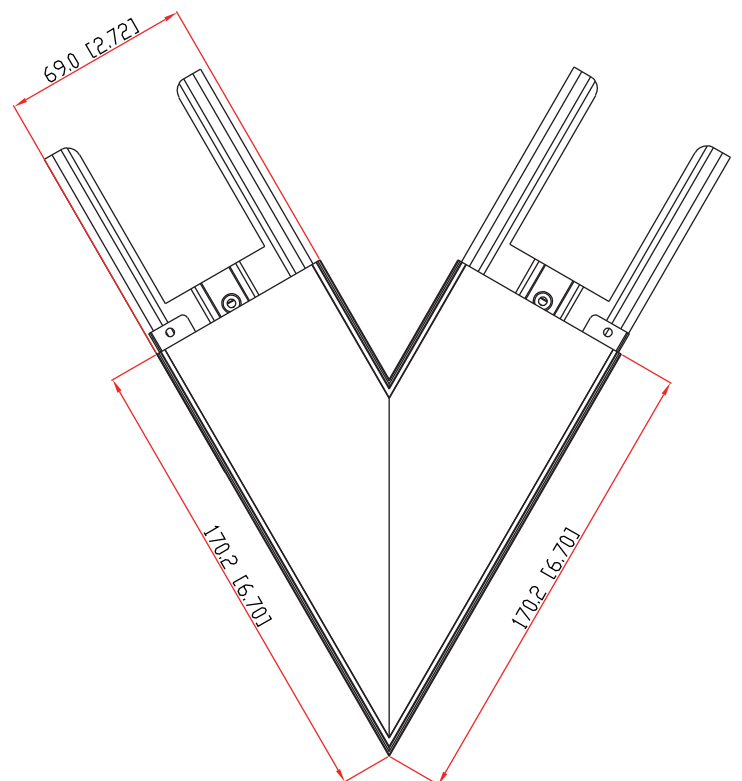


Architectural LED Linear Fixture

“X” joiner

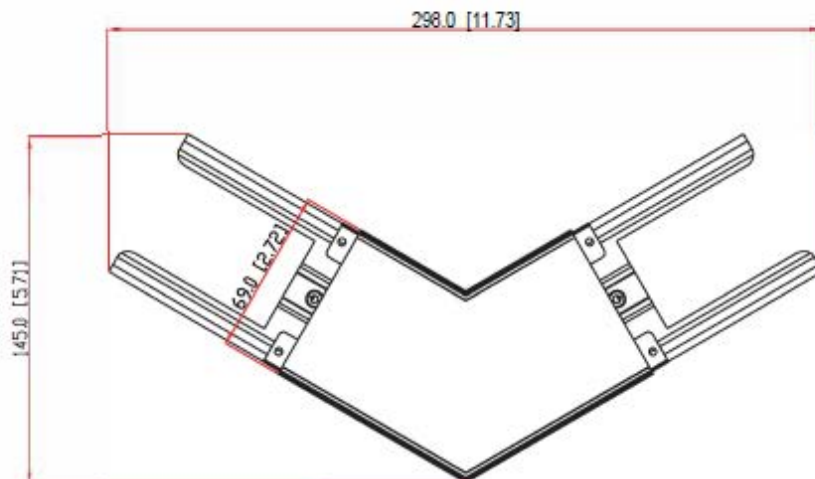


“V60” joiner

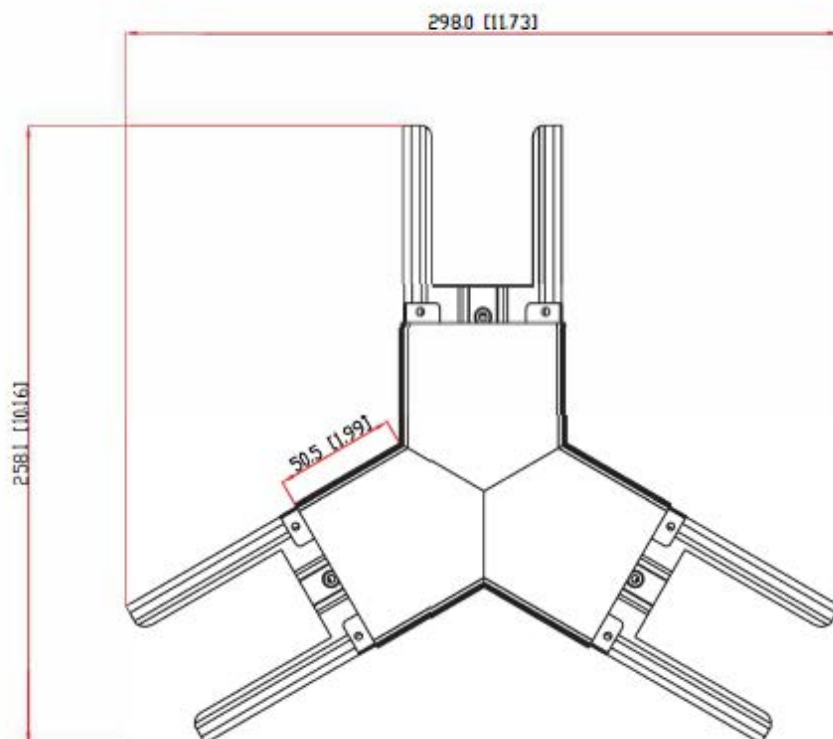


Architectural LED Linear Fixture

"v120"joiner



"Y'Joiner












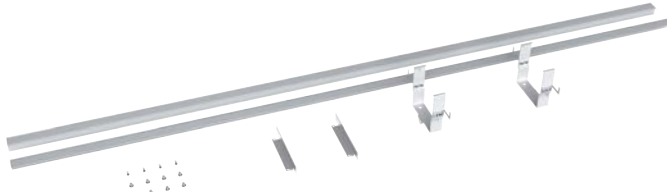


Architectural LED Linear Fixture

"I" joiner



Accessories

| | | | |
|--|--|--|--|
|  <p>Surface-mounted kits</p> |  <p>Wall-mounted kits 1</p> |  <p>Wall-mounted kits 2</p> |  <p>Roll-out Lens</p> |
|  <p>Assembled T-Grid Clips</p> |  <p>Conduit-mounted kits</p> |  <p>Aircraft Cable</p> |  <p>Emergency Driver</p> |
|  <p>Canopy(for sensor)</p> |  <p>End Cap wisensor</p> |  <p>ALF-Cable Black</p> |  <p>ALF-Cable White</p> |
|  <p>Recessed Mounting Kits</p> | |  <p>Recessed Mounting Lace Kits</p> | |
|  <p>T-GRID</p> | | | |