

## LED Linear Strip Fixture Light



LED Strip Lighting with its slim design, this new linear strip light seamlessly blends flat high quality housing and precision optics to produce a sleek, subtle aesthetic that meets most office ceiling application needs, it is ideal for office spaces, supermarkets, and meeting rooms.



Catalog Number	Description	Angle	Lumens	Watts	CCT	Voltage
SZ-LS20W-2FT-ACP	LED Linear Strip Fixture	120°	2600 Lm	Adjustable 4W/8W/12W/16W/20W	Adjustable 3500K/4000K/5000K/5700K/6500K	120V - 277V Optional 120-347V
SZ-LS60W-4FT-ACP	LED Linear Strip Fixture	120°	7800 Lm	Adjustable 25W/30W/40W/50W/60W	Adjustable 3500K/4000K/5000K/5700K/6500K	120V - 277V Optional 120-347V
SZ-LS100W-8FT-ACP	LED Linear Strip Fixture	120°	13000 Lm	Adjustable 40W/60W/80W/90W/100W	Adjustable 3500K/4000K/5000K/5700K/6500K	120V - 277V Optional 120-347V

### ORDERING GUIDE

Example: SZ-LS60W-4FT-ACP

Company Code	Fixture Type	Wattage	Size	Voltage	ACP
SZ Company Name	LS LED Linear Strip Fixture	20W 60W 100W	2FT 4FT 8FT	Blank 120-277V MV 120-347V	ACP Adjustable CCT and Power 20W:4/8/12/16/20W 3500K/4000K/5000K/5700K/6500K 60W:25/30/40/50/60W 3500K/4000K/5000K/5700K/6500K 100W:40/60/80/90/100W 3500K/4000K/5000K/5700K/6500K

### Accessories (Standard)      Accessories (Optional)



Surface Mounted



SUSPENDING MOUNTED



CONNECTOR



LINKABLE-WIRE HARNESS



SENSOR SHELL



MICROWAVE SENSOR



PIR SENSOR



EMERGENCY DRIVER

## LED Linear Strip Fixture Light

### Specifications

#### Housing

PC material.

#### Electrical

Standard 120V - 277V, Optional 120-347V  
0-10V dimming standard with a dimming range of 100%to 10%. PF > 0.9.

#### CCT and CRI

Adjustable 3500K/4000K/5000K/5700K/6500K.  
CRI 80.

#### Angle

120°

#### Operating Temperature

Suitable for use in -20° C to 45° C (-4° F to 113° F).

#### Efficacy

Up to 130 lumens per watt.

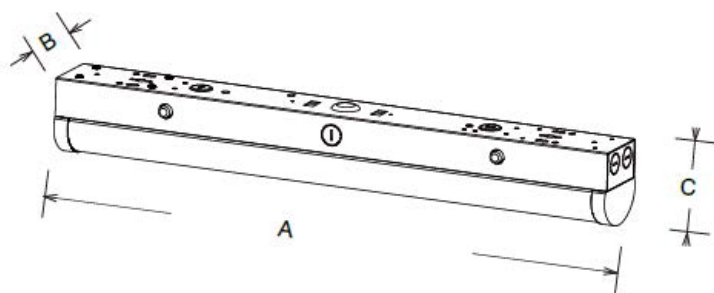
#### Certifications

UL Listed.DLC5.1

#### WARRANTY

5 Years Limited Warranty.

### Dimension:



Specification	Power	A	B	C
2FT	20W	628mm/24.72"	74mm/2.91"	81mm/3.2"
4FT	60W	1185.2mm/46.55"	74mm/2.91"	81mm/3.2"
8FT	100W	2438.4mm/96"	74mm/2.91"	81mm/3.2"

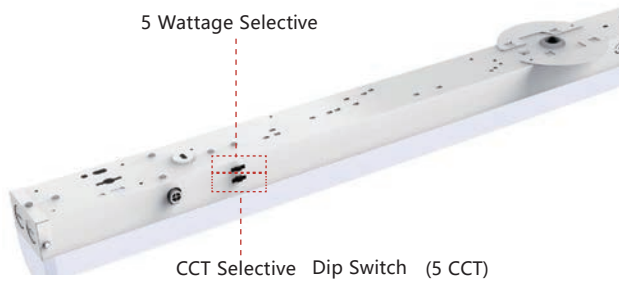
### Packing/Weight :

Catalog Number	Outer box (L*W*H)	Qty/CTN (pcs)	N.W./pcs (lbs/kg)	G.W./CTN (lbs/kg)	Remark
SZ-LS20W-2FT-ACP	24.2*10.75*12.13" 615*273*308mm	9	18.7/8.5	22/10	
SZ-LS60W-4FT-ACP	47.48*10.75*12.13" 1206*273*308mm	9	31.06/14.12	37.4/17	
SZ-LS100W-8FT-ACP	96.85*7.36*8.35" 2460*187*212mm	4	29.04/13.2	33/15	

## LED Linear Strip Fixture Light

### CCT&Wattage selectable

Power and CCT switchable:



Sensor Base Solutions Available:



### Installation Instruction:

#### A. Surface-mounted Installation

1. Punch a hole on the wall and put the expansion tube inside.

2FT: LF=12.13"  
4FT: LF=34.80"  
8FT: LF=35.35" & 84.13"

2. Turn off the power and wiring by using wire nuts.

ToSource: BLACK (LINE)  
WHITE (NEUTRAL)  
GREEN (GND)

FIXTURE: BLUE (DIM+)  
PINK (DIM-)  
Dimming

3. Secure the fixture on the wall and lock it in tight.

4. Press upward the cover, push side button and press, then lock it with springs tightly which located into the fixture.

5. The installation completed.

6. Press the buckle on both sides and remove, if you need to disassemble the cover.

#### B. Suspending installation

1. Fixing the hook and suspending the lamp.

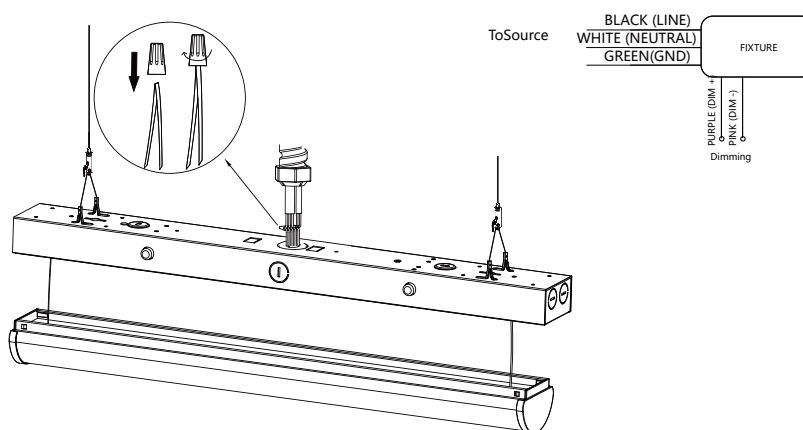
2FT: LF=18.52"  
4FT: LF=41.19"  
8FT: LF=35.59" & 90.50"

— Anchors  
— Wire rope1  
— Screw  
— Wire rope2

2. Adjusting the hanging rope length.

3. Adjusting the hanging rope making the LED linear strip light in a horizontal state.

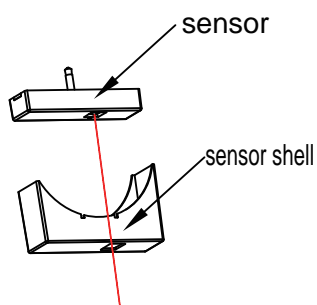
4. Turn off the power and wiring by using wire nuts.



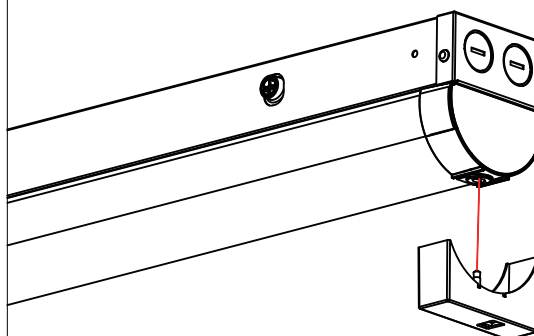
## LED Linear Strip Fixture Light

### SENSOR INSTALLATION:

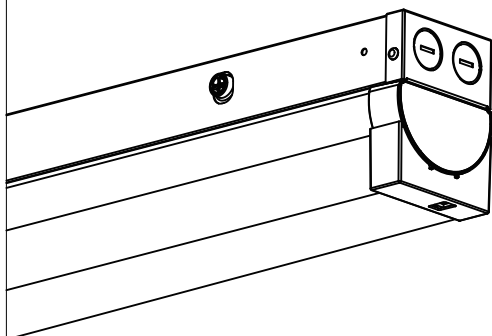
1. Align the sensor probe with the square hole of the sensor housing and press it in.



2. Align the assembled sensor with the headphone pin hole on the light and insert it into it.

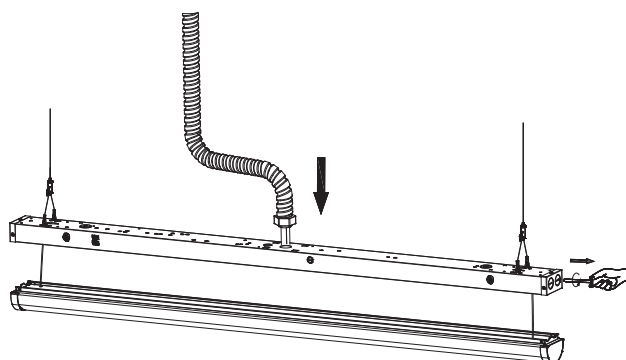


3. After installation, power on and the sensor works normally, indicating that the installation is complete.



### Linkable Connections

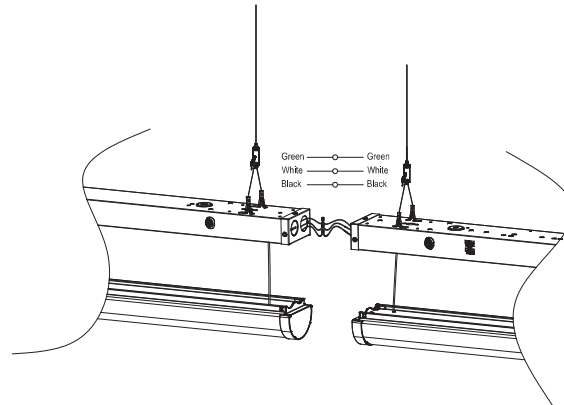
1. Remove the PC cover and remove the reserved mask on the end cover using a flat-head screwdriver. Remove the linkable wire from the reserved hole.



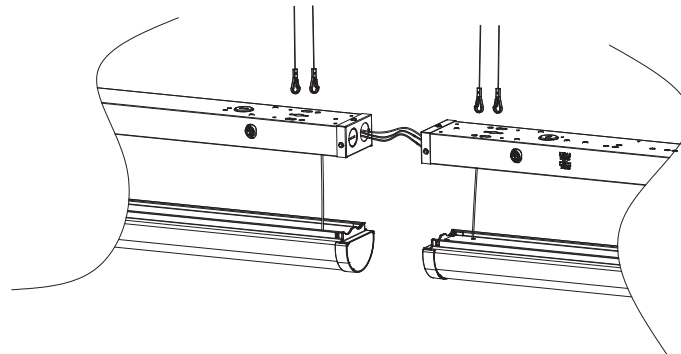
Catalog #	Max Qty of Linkable Connection
2FT	Up to 24 fixtures
4FT	Up to 12 fixtures
8FT	Up to 6 fixtures

## LED Linear Strip Fixture Light

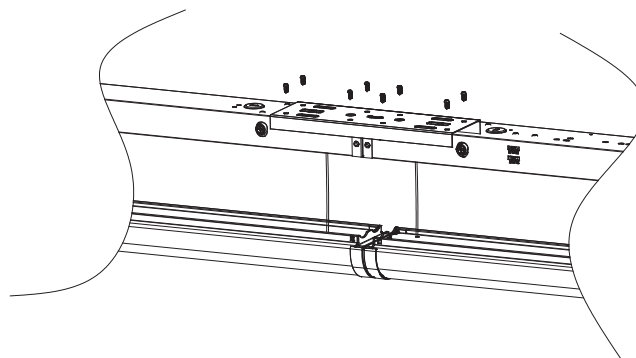
2. Take out the linkable wire of another fixture in the same way. Connect the linkable wire black to black, white to white, and green to green.



3. Insert the connected terminal into the fixture through the reserved hole. Take the lower end of the sling.



4. Cover the connector and lock the connector with self-tapping screws.



5. Hang the rope, fasten the PC cover, the installation is complete, and the can link the rest of the fixtures.

