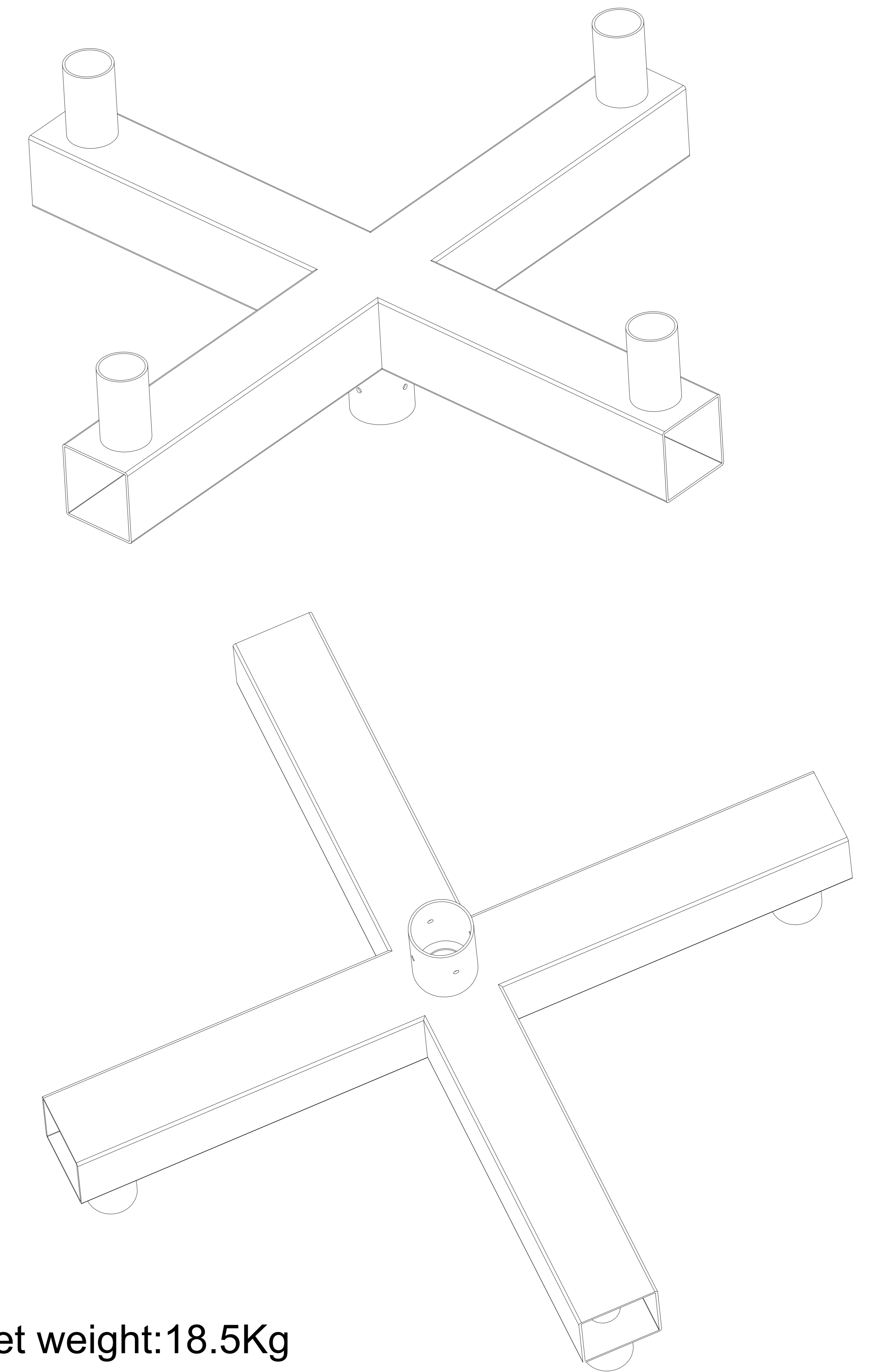
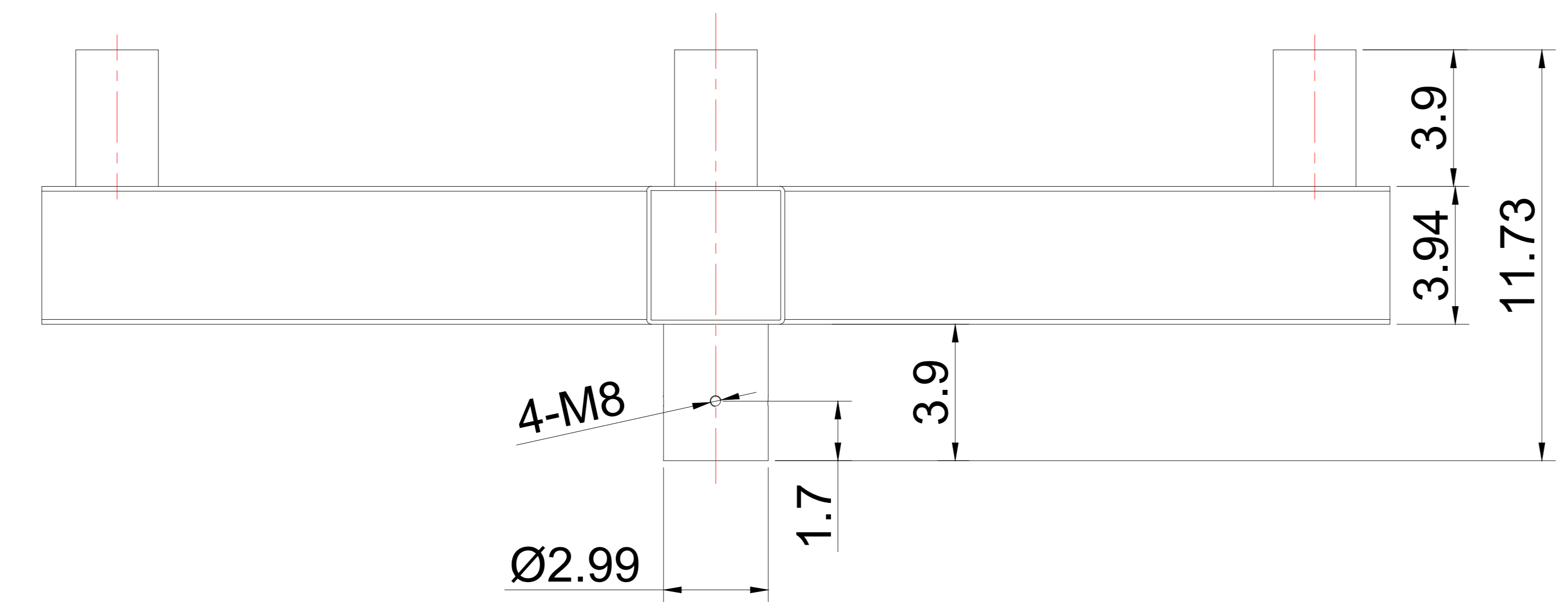
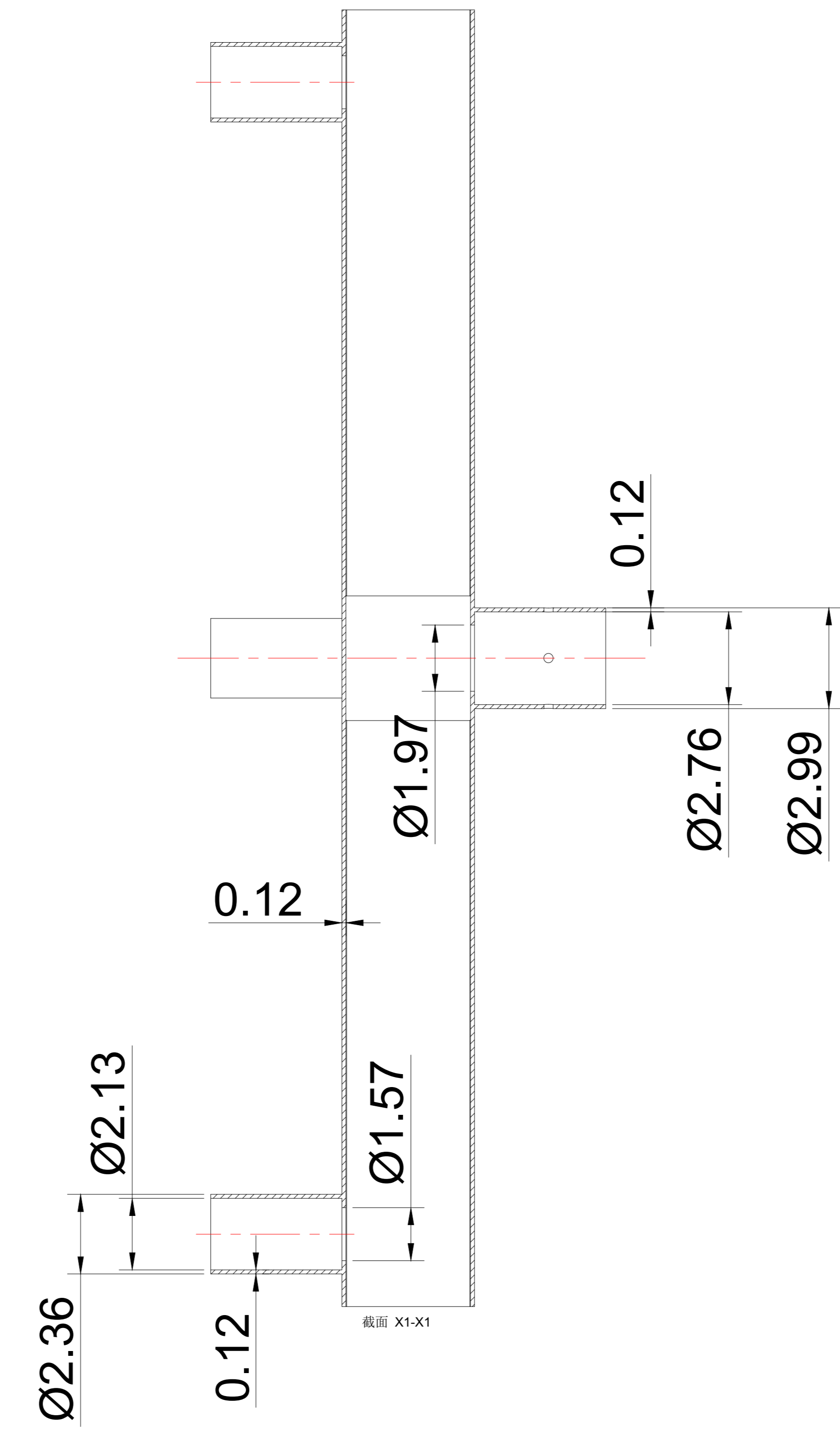
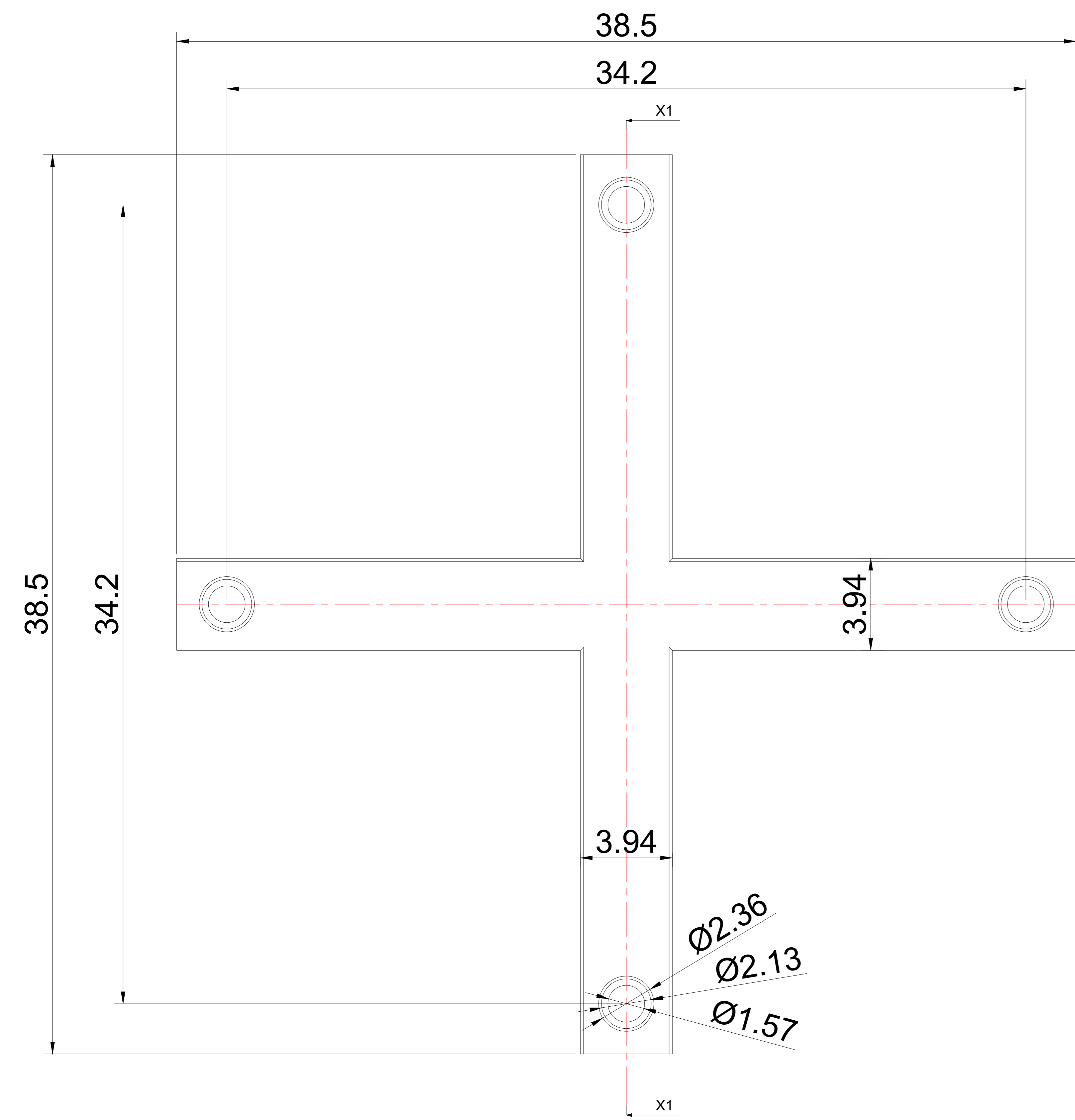


REV.	ZONE	DESCRIPTIONS	DWN BY	DATE



Net weight: 18.5Kg

DO NOT SCALE DRAWING		PROJECTION	JS LED®																			
TOLERANCE ALL DIM. ARE IN:mm		MODEL: SZ-3R-4LT-X-SQ-BZ	DATE: 2026 1 5																			
<table border="1"> <tr> <td>0</td><td>3</td><td>6</td><td>30</td><td>120</td><td>315</td> </tr> <tr> <td><<<</td><td><<</td><td><<<</td><td><<<</td><td><<<</td><td><</td> </tr> <tr> <td>3</td><td>6</td><td>30</td><td>120</td><td>315</td><td>1000</td> </tr> </table>	0	3	6	30	120	315	<<<	<<	<<<	<<<	<<<	<	3	6	30	120	315	1000	PART NAME: Bracket	S-PATH:		
	0	3	6	30	120	315																
<<<	<<	<<<	<<<	<<<	<																	
3	6	30	120	315	1000																	
A ✓ 0.05	0.1	0.15	0.2	0.3	0.4	CAD FILE:	PART NO:															
B	0.1	0.15	0.2	0.3	0.5	0.8	P-E FILE:	DWG. NO:														
C	0.2	0.3	0.4	0.5	0.7	1.0	MATERIAL: Iron	FINISH:														
D	0.4	0.5	0.7	1.0	1.5	2.0	DWN. CHKD. APP.	REVISION:	PAGE 1 OF 1													
REMARK:																						