

LED Slim Panel



ILLUMINATION

- Indicator shows a variety working modes.
- 2700K,3000K,3500K,4000K and 5000K field selectable CCT
- 90 CRI(min) and color accuracy within 5 SDCM.
- Emergency lumen up to 450 lumen.
- Plurality of mid power LED's Provides a uniform source with high efficiency and long life.

ELECTRICAL

- 120V 50/60Hz constant current driver provides noise free operation.
- Emergency power is 4.2W for 90 minutes,lithium battery.
- Plenum rated inline electrical quick connect provides low voltage connection to fixture fitting.

MOUNTING

- 2-in-1,compatible with both conventional power supply function and emergency power supply function.
- Canless springs hold fixture to ceiling - no housing required.
- Can be installed in 1/2" to 1-1/4" thick ceilings.
- Cutout utilizes standard round hole saw sizes,cutout template provided.
- Can be removed from below the ceiling for service or replacement

HOUSING

- Premium-grade, die casting aluminum housing (also available in optional black or white powder-coated finishes).
- Easily spring mounted in sheetrock ceilings.

OPTIONS

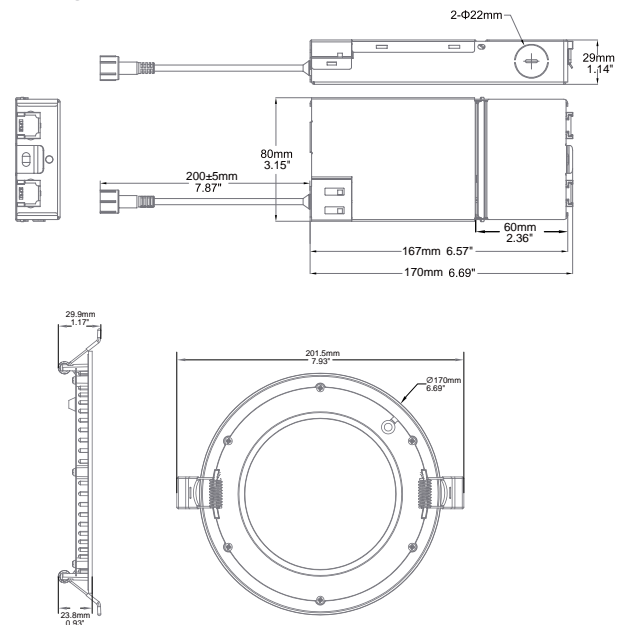
- CCT: 2700K/3000K/3500K/4000K/5000K selectable
- Power: 9W/12W/15W selectable

WARRANTY / LISTING

- Five year warranty on all electronics and housing.
- Meets UL924, NFPA 101 Life Safety Code, NEC, OSHA, Local and State Codes.
- UL Listed for damp locations (5°C ~ 50°C).
- Certified to CEC under Title 20 Regulations.

DIMENSIONS

Driver-6.69"x3.15"x1.14"(170x80x29mm)
Downlight-Ø6.69"x1.17"(Ø170x29.9mm)



ORDERING GUIDE

Example: SZ-DL15W6-SP-ACP

Company Code	Fixture Type	Wattage	Size	SP	ACP	EM
SZ Company Name	DL DownLight Series	15W	6 6"	Slim Panel	ACP Adjustable CCT and Power 15W:9/12/15W 2700K/3000K/3500K/4000K/5000K	EM Emergency Power 4.2W

LED Slim Panel

Catalog Number	Description	Lumens	Watts	CCT	Voltage
SZ-DL15W6-SP-ACP (EM)	LED Slim Panel 6"	1350 Lm	9W/12W/15W	Adjustable 2700K - 5000K	120V

OPERATION

Emergency Mode: When AC power fails, the emergency driver automatically switches to emergency mode, operating the LEDs for a minimum of 90 minutes. When AC power is restored, the emergency driver switches the system back to the normal mode and restores to the battery charging state.

The charge indicator will be lit Solid Red when charging, and will be lit Solid Green when fully charged and in the standby mode. The indicator will flash Green when self-testing. If a problem is encountered during the test cycle, the indicator will flash Red, according to the diagnostic codes below:

SELF-TEST:

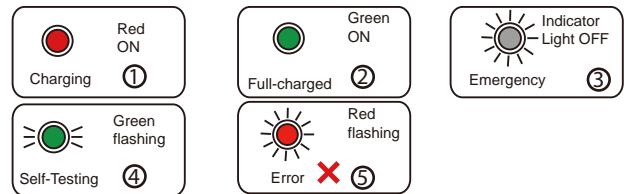
This unit contains a control/monitor circuit that if enabled automatically performs a 30-second discharge test once a month and a full 90-minute discharge test once a year. During routine testing, the self-testing emergency driver simulates an AC power failure causing the unit to automatically switch to emergency mode. The unit will monitor the operation of the LED load, battery voltage, and emergency duration. If the emergency system functions properly, then the unit will return to normal mode. Should the unit detect any problems, the indicator light will flash per failure condition (see Troubleshooting Guide) until the condition has been corrected and the unit passes the next test.



Indicator Light Introduction

- ① Red/ON: Charging
- ② Green/ON: Full-charged
- ③ Indicator light OFF: Discharging(emergency mode)
- ④ Green/Flashing: Self-testing
- ⑤ Red Flashing:Error

Note: See Trouble Shooting Guide



Mode	LED Indicators Status	Error	EM Driver Status / Mode	Corrective Action
Normal Mode	Solid Green	None	Battery fully charged/System OK	/
	Solid Red	None	Battery is charging	/
	Both LEDs OFF	None	In EM mode or emergency run-time is ended	/
	Flashing Green	None	Self-Diagnostic test underway	/
Fault Mode	Flashing Red	Battery	Battery not connected	check battery switch or connection.
		Hardware issue	Battery failure	Contact after-sales. 1. Check input AC mains wiring of Unswitched Hot, Neutral and Ground. 2. Check light connect. 3. Contact after-sales.

MANUAL TEST

Test Mode	Description	Action	Status	Quit
Fast Test	Quick discharge test	Press the test button 1 time	LED load will flash for 5s	/
Monthly	30-second test	Press the test button 3s continuously	LED load will flash for 30s	Hold the test button/switch for 1s
Annually	90-minute test	Press the test button 6s continuously	LED load will flash for 90 minutes	Hold the test button/switch for 1s

INSTRUCTION MANUAL

IMPORTANT SAFEGUARDS

When using electrical equipment, basic safety precautions should always be followed, including the following:

READ AND FOLLOW ALL SAFETY INSTRUCTIONS.

- CAUTION: This emergency LED driver provides more than one power supply output source. To reduce the risk of electrical shock, servicing of this equipment should be performed by qualified personnel only.
- CAUTION: Before installing, make certain the AC power to the fixture is off. Do not connect the battery pack connector until all other wiring are complete and AC power is on.
- CAUTION: This emergency LED driver requires an un-switched AC power source of 120Vac, 50/60Hz. The AC driver must be on the same branch circuit as the emergency LED driver. Ambient temperature: 5°C to 50°C.
- CAUTION- The use of accessory equipment not recommended by the manufacturer may cause an unsafe condition, void warranty, and result in non-compliance with UL specifications.
- CAUTION: Use with grounded, UL-listed, dry, or damp location-rated fixtures, and the case should be grounded.
- CAUTION: Do not use outdoors. Do not mount near gas or electric heaters.
- CAUTION- Do not attempt to service the battery. A sealed, no-maintenance battery is used that is not field replaceable. Replace the entire unit when necessary.
- CAUTION: Do not use this equipment for other than its intended use. The emergency LED driver is not for in an air-handling fixture.
- CAUTION: The emergency LED driver should be mounted in locations and at heights where it will not be subjected to tampering by unauthorized personnel.
- IMPORTANT: Please charge the battery consistently for >24 hours for the first time usage to activate the whole battery cells of discharging/charging duration.
- IMPORTANT: Customers are advised to charge emergency LED drivers 24 hours every 6 months during storage, which could be stocked for 1 year at most. If customers don't install and recharge for more than 1 year, the batteries may be damaged. This is not covered in the warranty, and we would charge for replacement.
- IMPORTANT: Lighting fixture manufacturers, electricians, and end-users need to ensure product system compatibility test before using and final installation.



Li-ion

THIS PRODUCT CONTAINS A RECHARGEABLE LI-ION BATTERY.
THE BATTERY MUST BE RECYCLED OR DISPOSED OFF PROPERLY.