



### Specifications

#### Construction:

- The rugged, one-piece die-cast aluminum housing features a complete heat sink that optimizes heat dissipation through convection cooling management.
- Low profile, 3G vibration rated compact design minimizes wind load requirements.
- Housing is completely sealed against moisture and environmental contaminants.

#### Optics:

- Available in IES Type II, III, IV, V distributions
- Light engines are available in adjustable color temperature (4000K&5000K&6500K) configurations.
- Optics is precisely designed to shape the distribution, maximizing efficiency and application spacing.
- The optics can conform to dark sky requirement.

#### Electrical:

- Universal 120-277 VAC or 200-480 VAC input voltage
- 10KA(@120-277V) and (@200-480V) surge protection
- 0-10V dimming driver standard for 10% to 100% dimming
- Power adjustable.
- THD: ≤20%
- Power Factor: ≥90%

#### Sensor:

- Photocell sensor.

#### Ambient Temperature:

- Ambient operating temperature -40°C to 45°C (-40°F to 113°F).

#### Installation:

- Suitable for mounting heights ranging from 40-80' in area lighting applications
- Round pole, Square pole, Slipfitter, Wall mount and Yoke are available.
- The design can be operated by one person to install the whole lamp

#### Lifespan:

- Estimated 100,000-hour LED lifespan based on IES LM-80 results and TM-21 calculations



#### Certifications:

- UL wet location listed
  - DesignLights Consortium™ Qualified for Outdoor Pole/Arm-Mounted Area and Roadway Luminaires, Architectural Flood and Spot Luminaires.
- Note: DesignLights Consortium™ Qualified and classified for DLC Premium, refer to [www.designlights.org](http://www.designlights.org) for details.

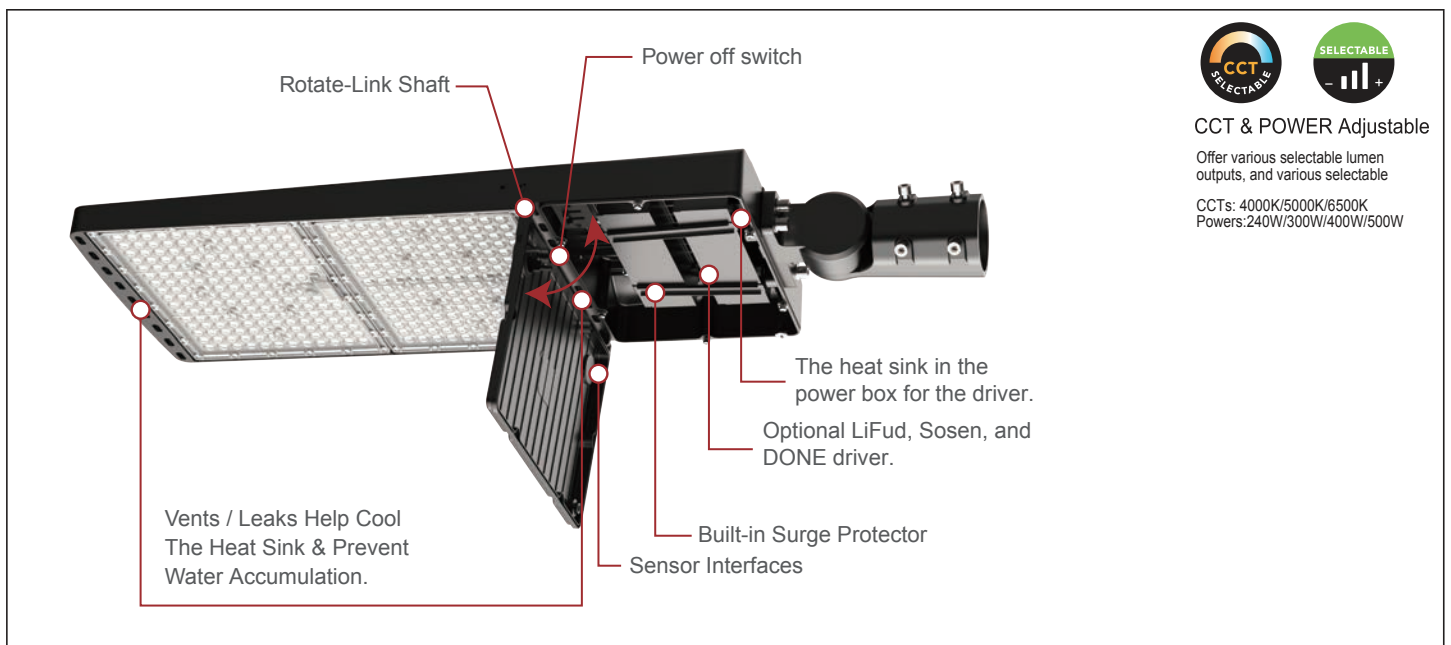
#### Note:

Actual performance may differ as a result of end-user environment and application. All values are design or typical values, measured under laboratory conditions at 25°C ( ±5°C ) specifications subject to change without notice.

#### Finish:

- Standard: Dark Bronze
- Optional: Black, Silver Gray, White, Custom Color.

### Structural Design



## PERFORMANCE DATA

500W									
SETTING	SYSTEM WATTS	DIST. TYPE	CRI	4000K		5000K		6500K	
				LUMENS	LPW	LUMENS	LPW	LUMENS	LPW
100%	500W	2	70	70000lm	140 lm/W	80000lm	160 lm/W	70000lm	140 lm/W
		3	70	70000lm	140 lm/W	80000lm	160 lm/W	70000lm	140 lm/W
		4	70	70000lm	140 lm/W	80000lm	160 lm/W	70000lm	140 lm/W
		5	70	70000lm	140 lm/W	80000lm	160 lm/W	70000lm	140 lm/W
80%	400W	2	70	58000lm	145 lm/W	66000lm	165 lm/W	58000lm	145 lm/W
		3	70	58000lm	145 lm/W	66000lm	165 lm/W	58000lm	145 lm/W
		4	70	58000lm	145 lm/W	66000lm	165 lm/W	58000lm	145 lm/W
		5	70	58000lm	145 lm/W	66000lm	165 lm/W	58000lm	145 lm/W
60%	300W	2	70	45000lm	150 lm/W	51000lm	170 lm/W	45000lm	150lm/W
		3	70	45000lm	150 lm/W	51000lm	170 lm/W	45000lm	150lm/W
		4	70	45000lm	150 lm/W	51000lm	170 lm/W	45000lm	150lm/W
		5	70	45000lm	150 lm/W	51000lm	170 lm/W	45000lm	150lm/W
48%	240W	2	70	37200lm	155 lm/W	42000lm	175 lm/W	37200lm	155 lm/W
		3	70	37200lm	155 lm/W	42000lm	175 lm/W	37200lm	155 lm/W
		4	70	37200lm	155 lm/W	42000lm	175 lm/W	37200lm	155 lm/W
		5	70	37200lm	155 lm/W	42000lm	175 lm/W	37200lm	155 lm/W

## BUG @4000K

SYSTEM WATTS	VOLTAGE	DIST. TYPE	B	U	G
500W	100-277V/200-480V	2	5	4	5
		3	5	4	5
		4	5	4	5
		5	4	4	4

## ELECTRICAL DATA

Number Of Drivers	Driver Current (mA)	Nominal Power (W)	INPUT VOLTAGE (V)	CURRENT (Amps)
1	2000	500	120	5.000
		500	208	2.885
		500	240	2.500
		500	277	2.166
		500	347	1.729
		500	480	1.250

## MOUNTING

- Standard versatile mounting arm accommodates multiple drilling patterns as well as square and round poles
- Optional for cast aluminum slipfitter mounting adapter

### Mounting Options



**Slipfitter Mount: SZ-AM (500W)**  
An optional cast aluminum mast arm adapter secures fixture head to nominal 2-3/8"O.D. horizontal steel tenon arm.



**DM Mount: SZ-DM (500W)**  
(4" and 5" Square and Round poles)  
Standard versatile mounting arm is simple to install and can be used with existing poles for retrofit installations.

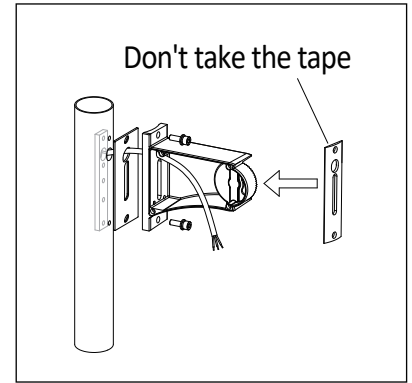
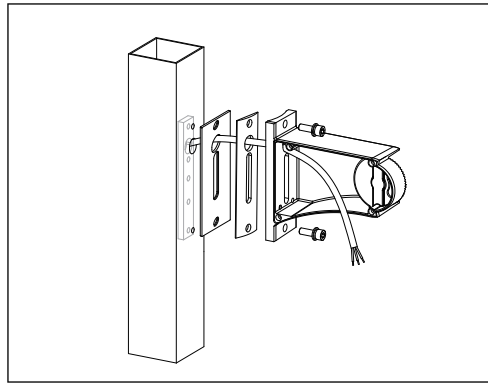
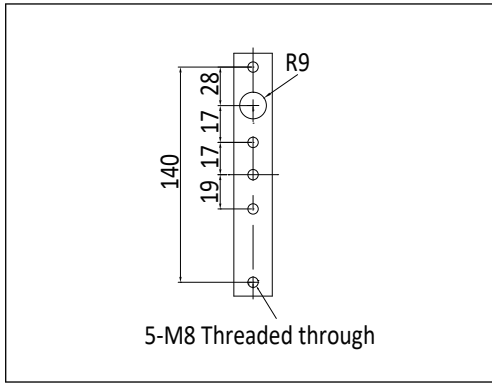


**U Shaped Mount: SZ-UM (500W)**  
Can be converted into a floodlight



**Yoke Mount: SZ-YM (500W)**  
Die-cast aluminum trunnion is easily adapted to many surfaces and allows easy fixture aiming angles.

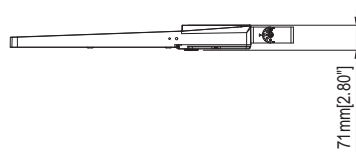
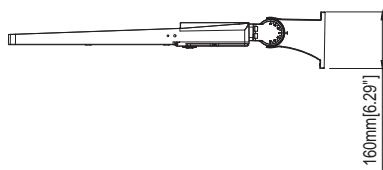
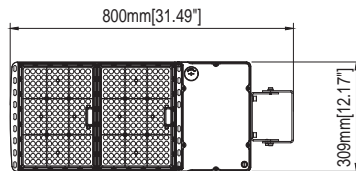
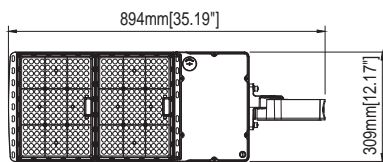
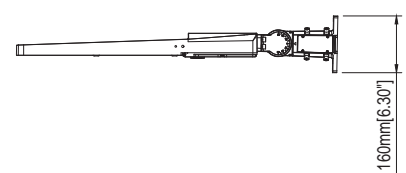
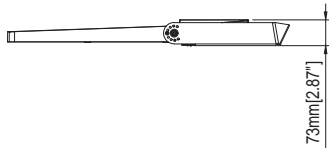
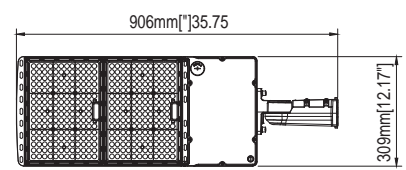
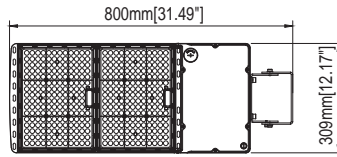
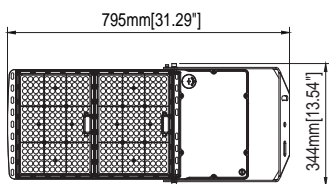
## Mounting Dimensions



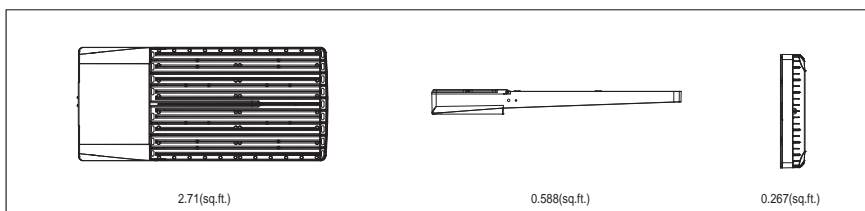
## DIMENSION

unit: inch/mm

500W



## EPA OF AREA LIGHT



## Packing/Weight:

Model	Outer box (L*W*H)	Qty/CTN (pcs)	N.W./pcs (lbs/kg)	G.W./CTN (lbs/kg)	Remark
SZ-PK500W-XXP-ACP	37.2*14.17*4.92" 945*360*125mm	1	15.84/7.2	18.04/8.2	

# PHOTOMETRICS

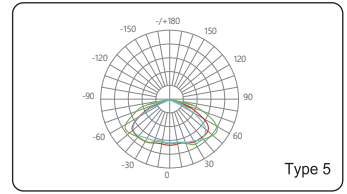
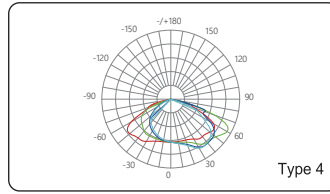
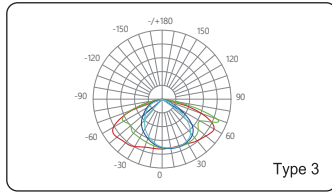
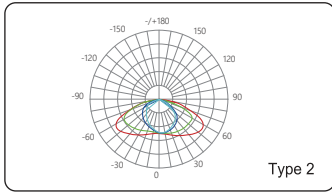
SZ offers a complete set of optical systems to meet every site lighting requirement. These systems provide remarkable flexibility in precisely matching light distribution patterns to specific site requirements.

Type 2 optics are ideal for applications where there is a need to space the luminaires farther apart along a road or pathway. The light distribution pattern is optimized for elongated areas, allowing for greater pole spacing without sacrificing lighting quality.

Type 3 optics produce an asymmetrical pattern that directs the majority of the light forward and equally on both sides of the luminaire. In a back-to-back configuration, it creates a rectangular pattern which can extend pole spacings.

Type 4 is suitable for applications where light is primarily required forward with minimal backlight. Typical installations include perimeter poles.

Type 5 optics produce a symmetrical square distribution pattern that distributes light equally on all sides of the luminaire. Type 5 luminaires is universal for most area lighting applications



## ORDERING GUIDE

Example: SZ-PK500W-HDP-ACP

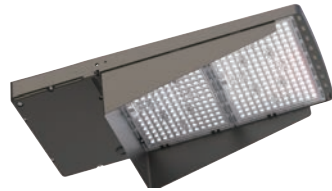
Company Code	Fixture Type	Wattage	Voltage	Sensor (optional)	ACP
SZ Company Name	PK Parking Lot	500W	LS: 100-277V HD: 200-480V	Blank With Photocell	ACP Adjustable CCT and Power 500W:240/300/400/500W 4000K/5000K/6500K

## ACCESSORIES(Optional)

PK series features a backlight control which provides reduced pixilation and increased visual comfort without compromising performance. External Glare Shield: sold separately or as an accessory.



SZ-PK500W-Cover



## ADDITIONAL MOUNTING ACCESSORIES

POLE BRACKET		WALL BRACKET	
	<p><b>4" Square Pole Mount with 2-3/8" O.D. Tenon</b> No. SZ-4S1 Finish: Dark Bronze USE: For use with square, non-tapered steel and aluminum poles. Furnished with eight M8 hex head stainless-steel bolts. Vertical tenon measures 2-3/8" O.D., Fixtures mounted to this bracket can be adjusted both vertically and horizontally.</p>		<p><b>4" Round Pole Mount with 2-3/8" O.D. Tenon</b> No. SZ-4R-1R Finish: Dark Bronze USE: For use with Round, non-tapered steel and aluminum poles. Furnished with Six 3/8" hex head stainless-steel bolts. Vertical tenon measures 2-3/8" O.D., Fixtures mounted to this bracket can be adjusted both vertically and horizontally.</p>
	<p><b>5" Square Pole Mount with 2-3/8" O.D. Tenon</b> No. SZ-5S1 Finish: Dark Bronze USE: For use with square, non-tapered steel and aluminum poles. Furnished with eight M8 hex head stainless-steel bolts. Vertical tenon measures 2-3/8" O.D., Fixtures mounted to this bracket can be adjusted both vertically and horizontally.</p>		<p><b>5" Round Pole Mount with 2-3/8" O.D. Tenon</b> No. SZ-5R-1R Finish: Dark Bronze USE: For use with Round, non-tapered steel and aluminum poles. Furnished with eight 3/8" hex head stainless-steel bolts. Vertical tenon measures 2-3/8" O.D., Fixtures mounted to this bracket can be adjusted both vertically and horizontally.</p>
WALL BRACKET		Mid-Pole tenon Bracket	
	<p><b>90° Wall Mount Bracket with 2-3/8" O.D. Tenon</b> No. SZ-P3 Finish: Dark Bronze USE: The 90° wall mount bracket with 2-3/8" tenon attaches an SZ Parking lot light to almost any surface: wall, roof, or wood pole. Provides wiring access and a built-in 2-3/8" O.D. Mounting holes are spaced 5.9" apart.</p>		<p><b>2-3/8" OD Horizontal Tenon Mid-Pole Bracket</b> No. SZ-P1 Finish: Dark Bronze USE: 2-3/8" OD Horizontal Tenon Mid-Pole Bracket is designed to mount light fixture that is equipped with an adjustable slipfitter onto a 2-3/8" OD horizontal tenon, Mounting holes are spaced 5.63" apart.</p>
	<p><b>90° Wall Mount Bracket with 2-3/8" O.D. Tenon</b> No. SZ-P4 Finish: Dark Bronze USE: The 90° wall mount bracket with 2-3/8" tenon attaches an SZ Parking lot to almost any surface: wall, roof, or wood pole. Provides wiring access and a built-in 2-3/8" O.D. Mounting holes are spaced 4" apart.</p>		<p><b>2-3/8" OD Horizontal Tenon Mid-Pole Bracket</b> No. SZ-P2 Finish: Dark Bronze USE: 2-3/8" OD Horizontal Tenon Mid-Pole Bracket is designed to mount light fixture that is equipped with an adjustable slipfitter onto a 2-3/8" OD horizontal tenon, Mounting holes are spaced 3.18-5.63" apart.</p>