

LED Downlight Bracket

ORDERING GUIDE

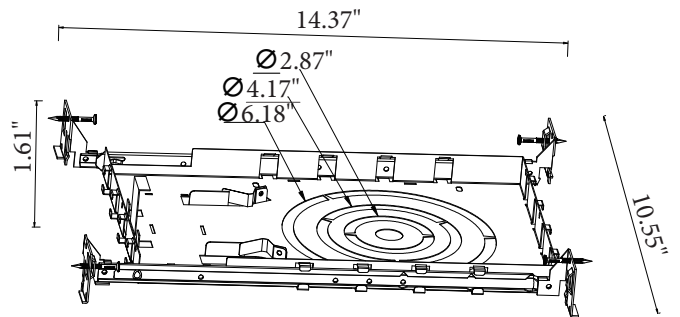
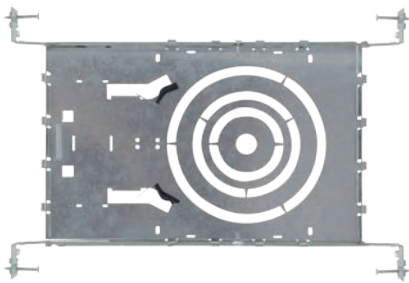
Example: SZ-DL-R-Bracket-346

| Company Code | Fixture Type | Shape | Type | Size |
|--------------------|---------------------|---------------------|---------|----------------------------------|
| SZ Company Name | DL LED Downlight | R Round S Square | Bracket | 346 3",4",6" 81012 8",10",12" |

Product size

Product Name

SZ-DL-R-Bracket-346

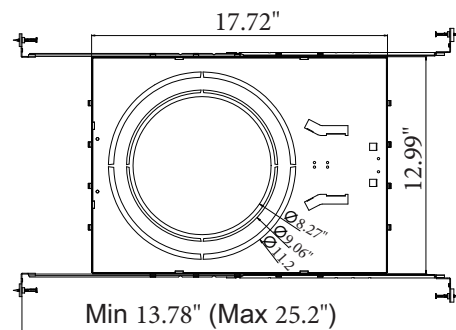
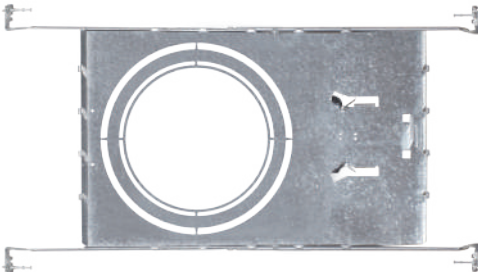


Product Features

3, 4, 6 inch universal round hole galvanized bottom plate, conventional with D shaped support frame.
Installation hole types 1 (Ø2.87" / Ø4.17" / Ø6.18")
Installation hole types 2 (Ø2.6"mm / Ø4.17" / Ø6.18")

Product Name

SZ-DL-R-Bracket-81012

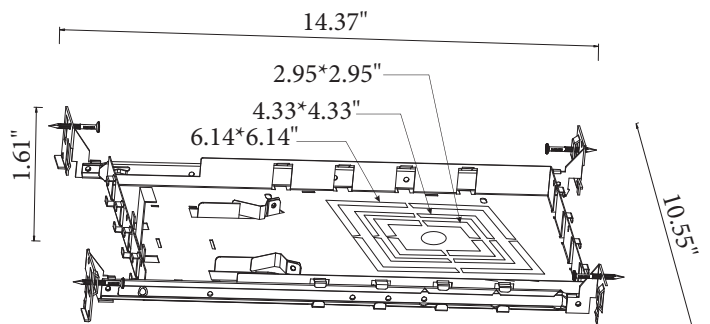
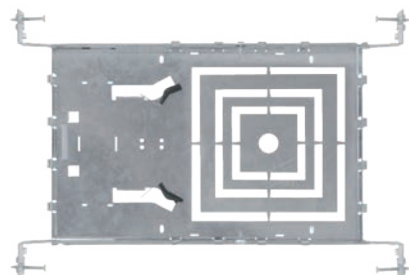


Product Features

8, 10, 12 inch universal round hole galvanized bottom plate, conventional with D shaped support frame.
The standard models come with D-shaped brackets.
Installation holes (Ø8.27" / Ø9.06" / Ø11.22")

Product Name

SZ-DL-S-Bracket-346



Product Features

3, 4, 6 inch universal square hole with galvanized bottom plate, conventional with D shaped support frame.
Installation holes (2.95*2.95"/4.33*4.33"/6.14*6.14")