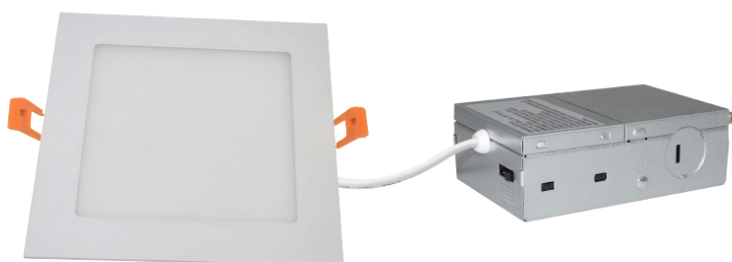


## LED Square Slim Panel



**4",6",LED Square Slim Panel Light** comes complete with an external driver in a junction box. The driver/junction box makes for a quick and mess-free installation and the clip-in, can-less housing is ideal for low-plenum applications



| Catalog Number          | Description              | Lumens  | Watts | CCT                                       | Voltage  |
|-------------------------|--------------------------|---------|-------|---|----------|
| SZ-DL12W4-SP-S-CCT-277V | LED Square Slim Panel 4" | 960 Lm  | 12W   | Adjustable<br>2700K - 5000K<br>Adjustable | 100-277V |
| SZ-DL15W6-SP-S-CCT-277V | LED Square Slim Panel 6" | 1200 Lm | 15W   | Adjustable<br>2700K - 5000K<br>Adjustable | 100-277V |

### ORDERING GUIDE

Example: SZ-DL15W6-SP-S-CCT-277V

| Company Code | Fixture Type | Wattage    | Size         | SP         | S        | CCT  | 277V     |
|--------------|--------------|------------|--------------|------------|----------|--|----------|
| SZ           | DL           | 12W<br>15W | 4 4"<br>6 6" | Slim Panel | S Square | CCT<br>Adjustable CCT<br>2700K/3000K/3500K/4000K/5000K | 100-277V |

## LED Square Slim Panel

### Specifications

#### CONSTRUCTION

Aluminum housing with spring action clips.  
Finish: Optional White, Black

#### ELECTRICAL

Drive: AC 100-277V 50/60Hz.

#### CCT & CRI

2700K, 3000K, 3500K, 4000K, 5000K Field  
Selctable CCT  
CRI 80

#### Beam Angle

120°

#### Operating Temperature

Suitable for use in -20° C to 45° C (-4° F to 113° F).

#### DIMMING

Triac (@120V) & 0-10V dimmable.

#### Certifications

ETL Listed.

#### WARRANTY

5 Years Limited Warranty.



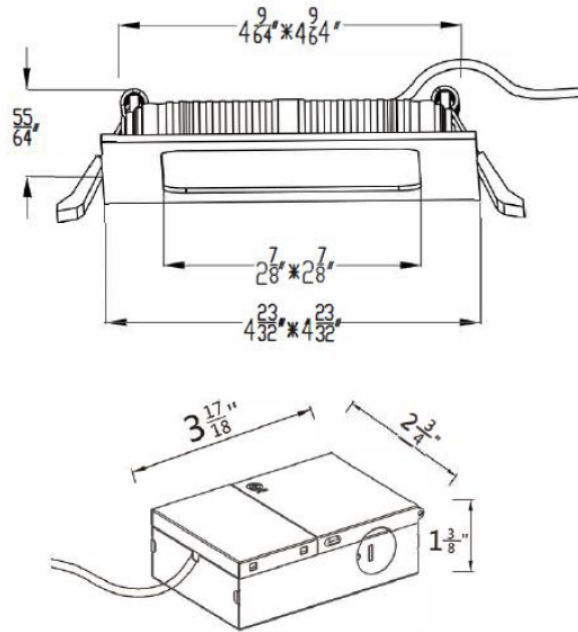
### Packing/Weight:

| Model                   | Outer box (L*W*H)                | Qty/CTN (pcs) | N.W./CTN (lbs/kg) | G.W./CTN (lbs/kg) | Remark |
|-------------------------|----------------------------------|---------------|-------------------|-------------------|--------|
| SZ-DL12W4-SP-S-CCT-277V | 16.1*11.8*12.8"<br>410*300*305mm | 24            | 19.6/8.9          | 22.7/9.7          |        |
| SZ-DL15W6-SP-S-CCT-277V | 21.5*10.2*17.3"<br>545*260*440mm | 24            | 27.9/12.7         | 30.1/13.7         |        |

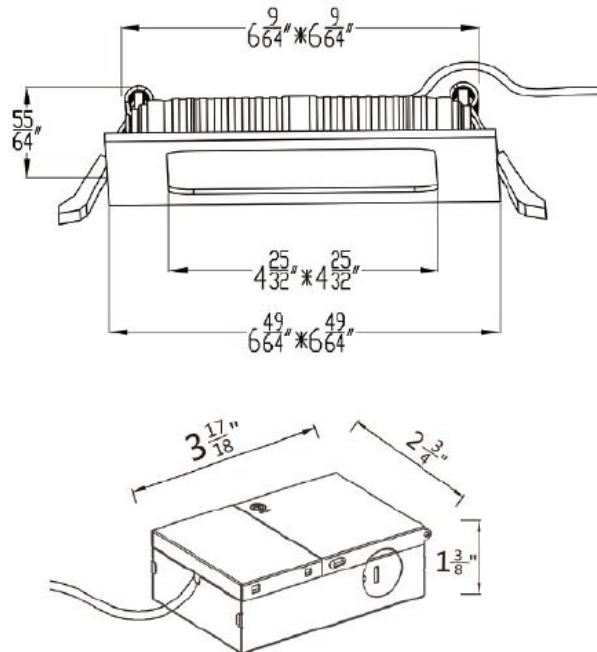
## LED Square Slim Panel

DIMENSIONS (unit: inch)

4inch



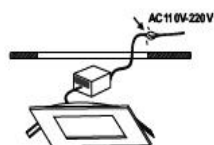
6inch



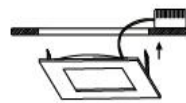
### INSTALLATION:



1. Trepanning



2. Connection



3. Installation



4. Done