

## LED Troffer Light



This troffer is field-adjustable, and can be programmed with a CCT of 3000K, 3500K, 4000K, 5000K, 5700K, 6000K, 6500K, eliminating the need to stock multiple color temperatures.

Ideal use for office spaces, walkways, schools/campuses, shopping centers, hospitality and



Catalog Number	Description	Lumens	Watts	CCT	Voltage
SZ-TR14-A40W-CCT	LED Troffer - 1' x 4'	5200 Lm	Adjustable 40 W Max	Adjustable 3500K - 6500K	120V - 277V
SZ-TR22-40W5-ACP	LED Troffer - 2' x 2'	5200 Lm	Adjustable 40 W Max	Adjustable 3000K - 6500K	120V - 277V
SZ-TR24-50W5-ACP	LED Troffer - 2' x 4'	6500 Lm	Adjustable 50 W Max	Adjustable 3000K - 6500K	120V - 277V

### ORDERING GUIDE

Example: SZ-TR22-40W5-ACP

Company Code	Fixture Type	Size	Wattage	Voltage	Sensor (optional)	ACP or CCT
SZ Company Name	TR Troffer	14 1' x 4' 22 2' x 2' 24 2' x 4'	A40W A50W 40W5 50W5	Blank 120-277V	Blank Without Photocell/Sensor S Sensor base (option)	<b>CCT or ACP</b> Adjustable CCT and Power 40W: 15/20/25/30/40W or 20/25/30/35/40W 3500/4000K/5000K/5700/6500K or 3000/3500/4000/5000/6000K  50W: 25/30/35/40/50W or 25/30/40/45/50W 3500/4000K/5000K/5700/6500K or 3000/3500/4000/5000/6000K

### Specifications

#### CONSTRUCTION

Constructed of one-piece ribbed unitized housing and corners that interlock, preventing damage to luminaire. All sides and corners are turned in and hemmed, removing sharp edges for safe handling and installation.

#### ELECTRICAL

Luminaire is built with the highest quality 120-277VAC drivers.

#### OPTICAL SYSTEM

Designed to reduce glare and improve light distribution through precision formed

#### Operating Temperature

Suitable for use in -20° C to 45° C (-4° F to 113° F).

#### Efficacy

130 lumens per watt.

#### DIMMING

0-10V dimmable standard.

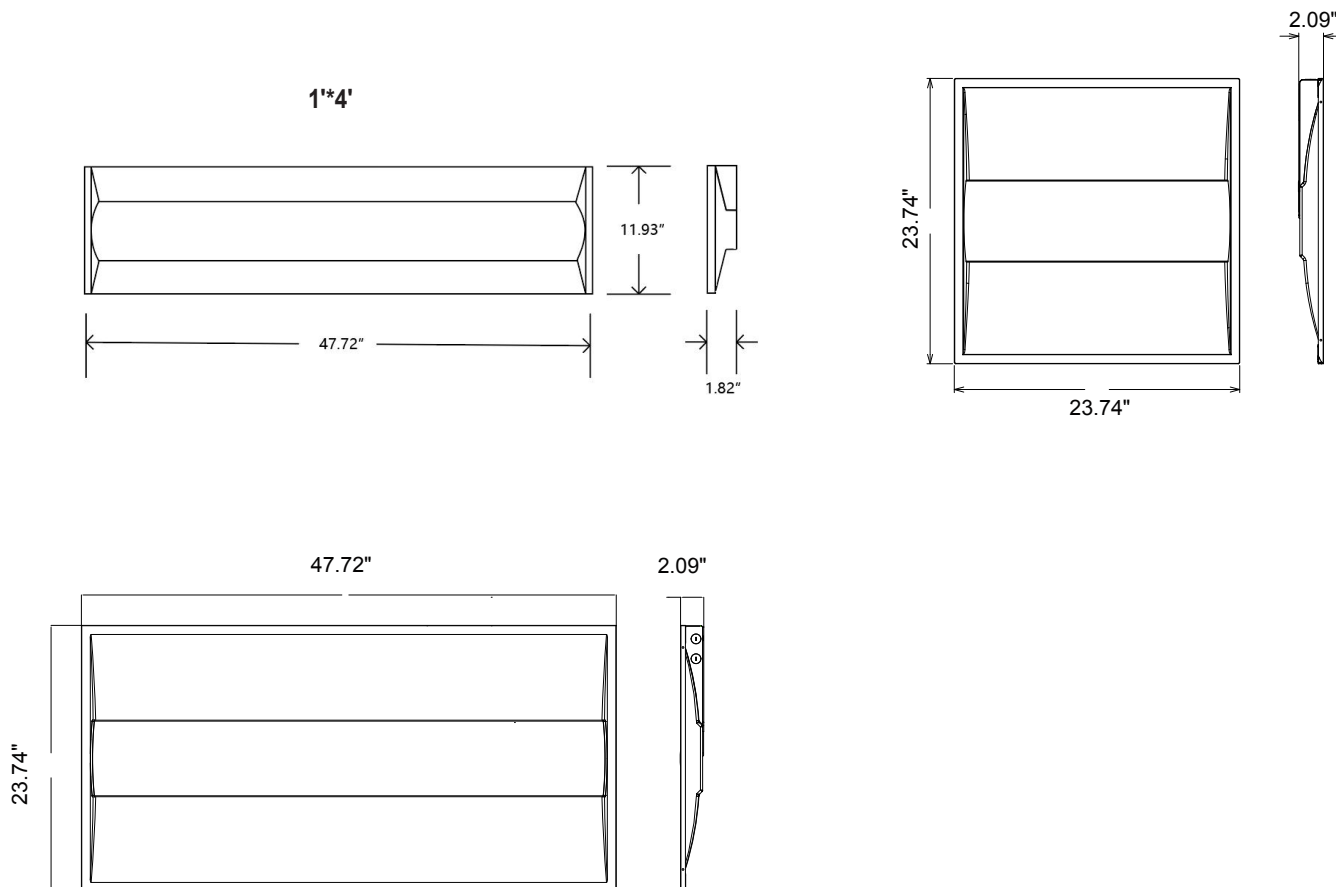
#### Certifications

ETL Listed, FCC, DLC 5.1.

#### WARRANTY

5 Years Limited Warranty.

### Dimensions



## LED Troffer Light

### Accessories (Optional):

1. Emergency Driver: Recharge time:  $\geq 24$ Hrs, Discharge time :>90minutes.
2. Sensor: PIR Sensor or Microwave Sensor.

### Emergency Driver (Optional)



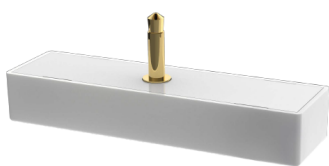
SZ-EMXXW-PL



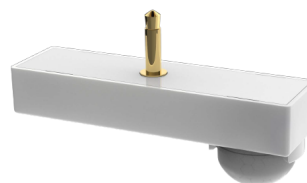
SZ-EMXXW-PL (02)

### Sensor (Optional With Sensor Base)

Microwave Sensor  
SZ-MS-M



PIR Sensor  
SZ-MS-P



### Wiring

