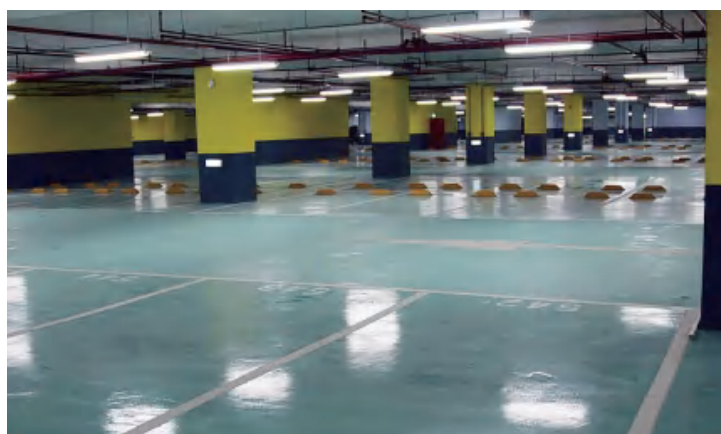


LED Vapor Tight



VAPOR series tri-proof light is designed for places requiring waterproof, dustproof and slight corrosion-resistant lighting, such as warehouse, parking lot, food factory, dust factory, cold storage etc. It can be used in places requiring corrosion-resistant lighting. While common tri-proof light cannot reach this requirement-Photoelectric separation design and LED lifespan is up to 50000 hours.



Catalog Number	Description	Angle	Lumens	Watts	CCT	Voltage
SZ-VT25W-2FT-ACP	LED Vapor Tight	120°	3125 Lm	Adjustable 12W/15W/18W/22W/25W	Adjustable 3500K/4000K/5000K/5700K/6500K	120V - 277V Optional 120-347V
SZ-VT50W-4FT-ACP	LED Vapor Tight	120°	6250 Lm	Adjustable 25W/30W/35W/40W/50W	Adjustable 3500K/4000K/5000K/5700K/6500K	120V - 277V Optional 120-347V
SZ-VT100W-8FT-ACP	LED Vapor Tight	120°	12500 Lm	Adjustable 50W/60W/70W/80W/100W	Adjustable 3500K/4000K/5000K/5700K/6500K	120V - 277V Optional 120-347V

ORDERING GUIDE

Example: SZ-VT50W-4FT-ACP

Company Code	Fixture Type	Wattage	Size	Voltage	ACP
SZ Company Name	VT LED Vapor Tight	25W 50W 100W	2FT 4FT 8FT	Blank 120-277V MV 120-347V	ACP Adjustable CCT and Power 25W:12/15/18/22/25W 3500K/4000K/5000K/5700K/6500K 50W:25/30/35/40/50W 3500K/4000K/5000K/5700K/6500K 100W:50/60/70/80/100W 3500K/4000K/5000K/5700K/6500K

Accessories (Optional)



SZ-MS-VT

Microwave Sensor and Photocell



SZ-MS-RC1

Sensor Remote



SZ-EMXXW-Y-WP

Emergency Driver



SZ-EMXXW-Y-WP (02)

Emergency Driver

LED Vapor Tight

Specifications

Housing

PC material.

Electrical

Standard 120V - 277V, Optional 120-347V
0-10V dimming standard with a dimming range of 100% to 10%. PF > 0.9.

CCT and CRI

Adjustable 3500K/4000K/5000K/5700K/6500K.
CRI 80.

Angle

120°

Operating Temperature

Suitable for use in -40° C to 45° C (-40° F to 113° F).

Efficacy

Up to 125 lumens per watt.

Lifespan

L70 >50,000 Hours at 25°C (77°F).

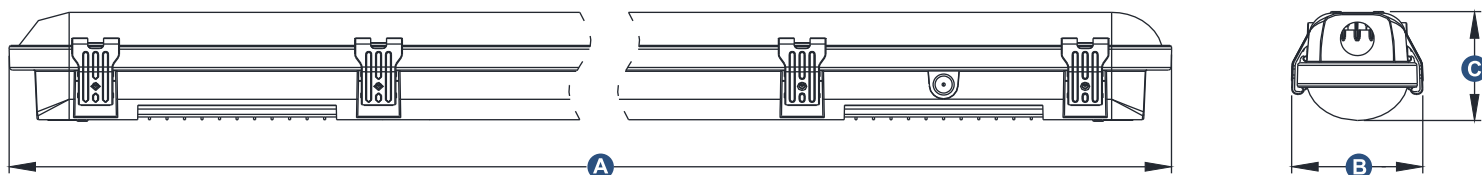
Certifications

ETL& DLC Listed, IP65 Rated.

Warranty

5-year limited warranty.

Dimension:



Specification	Power	A	B	C
2FT	25W	600mm/23.62"	95mm/3.74"	80mm/3.15"
4FT	50W	1200mm/47.24"	95mm/3.74"	80mm/3.15"
8FT	100W	2400mm/94.49"	95mm/3.74"	80mm/3.15"

Packing/Weight :

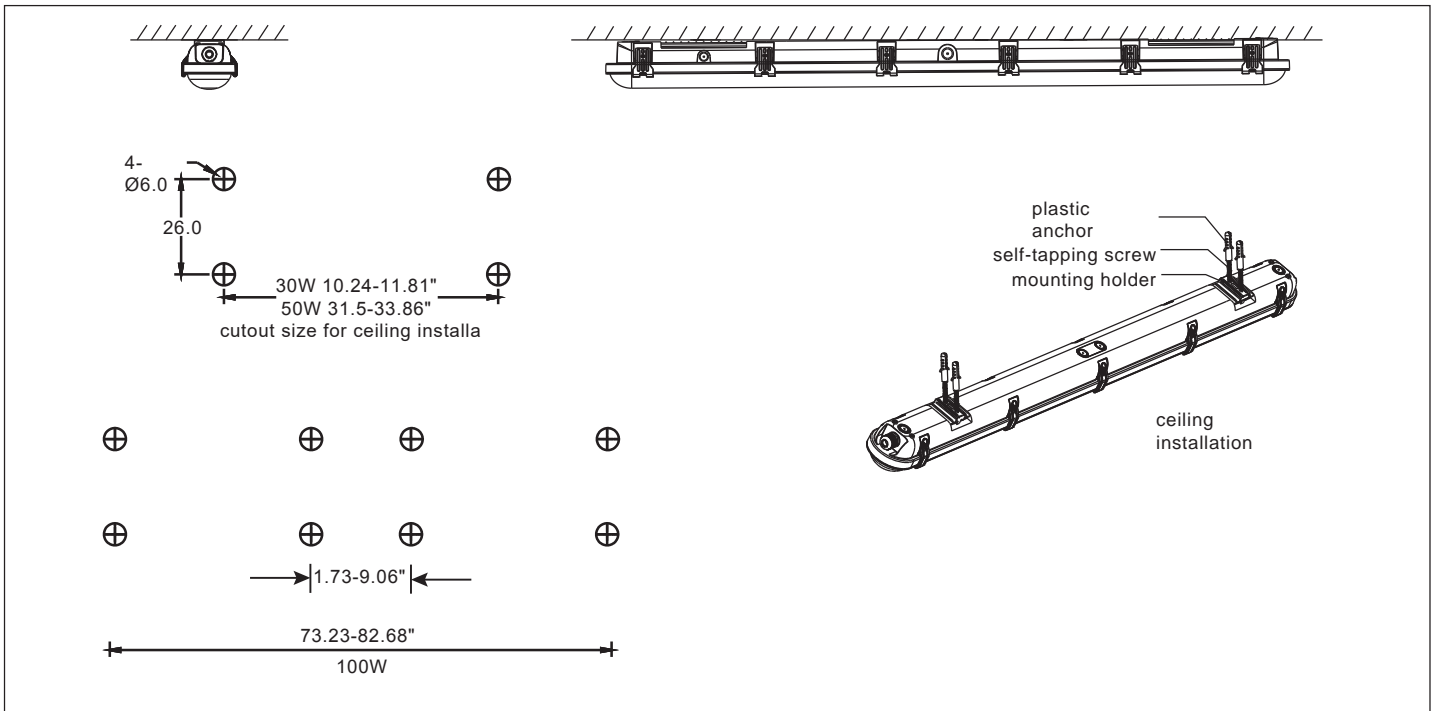
Catalog Number	Outer box (L*W*H)	Qty/CTN (pcs)	N.W./pcs (lbs/kg)	G.W./CTN (lbs/kg)	Remark
SZ-VT25W-2FT-ACP	26.18*13.23*15.2" 665*336*386mm	9	26.37/11.99	28.13/12.79	
SZ-VT50W-4FT-ACP	49.8*13.23*15.2" 1265*336*386mm	9	48.94/22.25	52.47/23.85	
SZ-VT100W-8FT-ACP	96.46*4.02*4.21" 2450*102*107mm	1	7.74/3.52	10.74/4.88	

Installation Requirement

1. Power off before installation.
2. Thread the input cable through waterproof joint then combine the input thread and wiring terminals, and ensure reliable contact.
3. Tighten the knob bracket.
4. Ceiling installation: fix the ceiling bracket on the installation surface via self-tapping screws and flat gasket then snap the lamp body into bracket.

Installation Instruction:

Ceiling Installation



Suspended Installation

