

LED Bollard Light

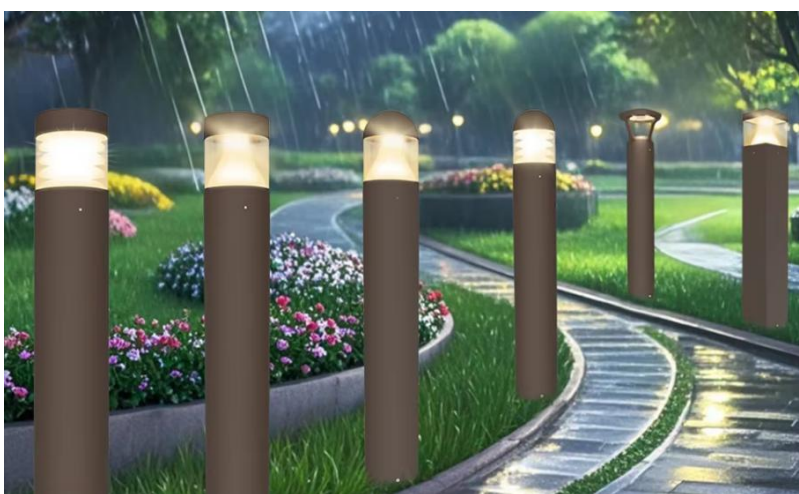


Advantage:

- UL certificate;
- IP65 Internal driver;
- Adjustable CCT and Power;
- Input voltage 120-277VAC / 120-347VAC;
- Light is soft and uniform, safe to eyes;
- 0-10V dimming..

Application:

industrial parks;
 schools and universities;
 public transit and airports;
 office buildings and medical facilities, etc.



Catalog Number	Description	Angle	Lumens	Watts	CCT	Voltage
SZ-BL24WXX-P-ACP	LED Bollard Light	150°	3360 Lm	Adjustable 14W/19W/24W	Adjustable 3000K/4000K/5000K	120V - 277V Optional 120-347V

ORDERING GUIDE

Example: SZ-BL24W01-P-ACP

Company Code	Fixture Type	Wattage	XX	P	ACP
SZ Company Name	BL LED Bollard Light	24W	01 Model 01 02 Model 02 03 Model 03 04 Model 04 05 Model 05 06 Model 06	P With Photocell Sensor	ACP Adjustable CCT and Power 24W:14/19/24W 3000K/4000K/5000K

Accessories (Standard)



Accessories (Optional)



SZ-BL-Base-R6.4

LED Bollard Light

Specifications

Housing

Sealed die-casting profile for outdoor applications.

Electrical

Standard 120V - 277V, Optional 120-347V
0-10V dimming standard with a dimming range of 100%to 10%. PF > 0.9.

CCT and CRI

Adjustable:3000K/4000K/5000K. CRI 70.

Angle

150°

Operating Temperature

Suitable for use in -40° C to 45° C (-40° F to 113° F).

Efficacy

Up to 140 lumens per watt.

Lifespan

L70 >50,000 Hours at 25°C (77°F).

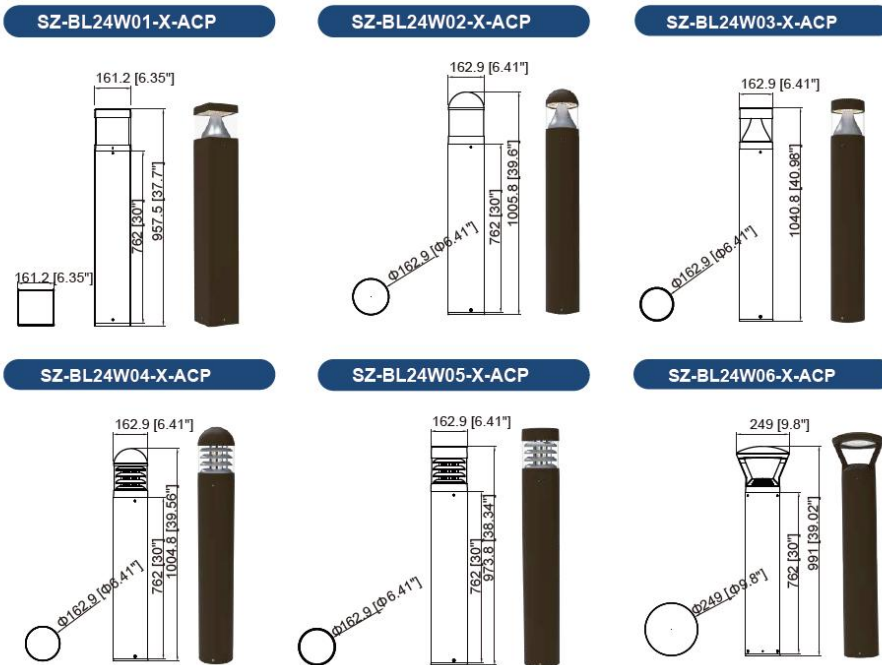
Certifications

UL Listed for wet locations, FCC compliant, IP65 rated.

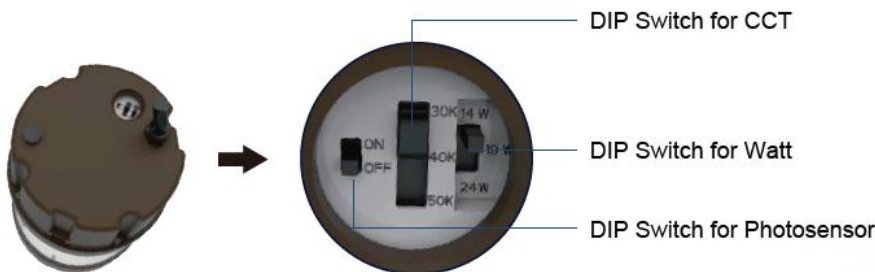
Warranty

5-year limited warranty.

DIMENSION:



The Top Heads Are Interchangeable:



EM BACKUP OPTIONS



Packing / Weight:

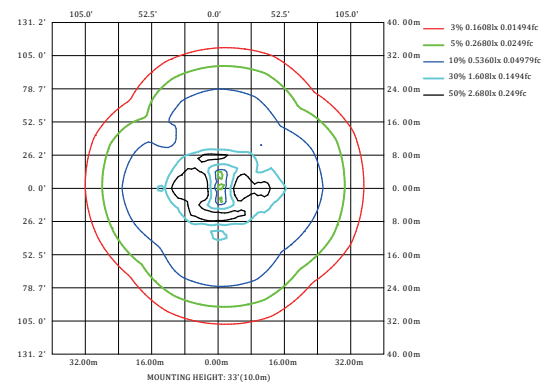
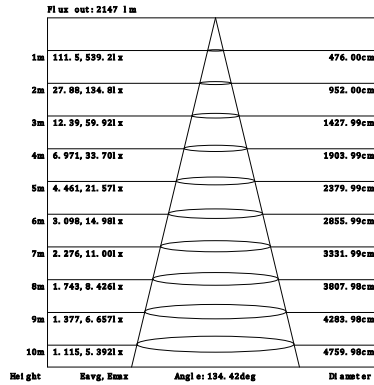
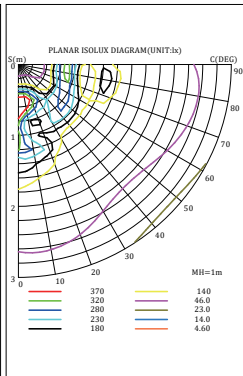
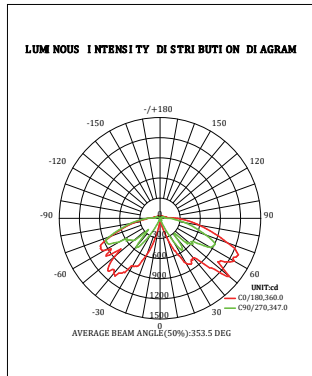
Model	SZ-BL24W01-P-ACP	SZ-BL24W02-P-ACP	SZ-BL24W03-P-ACP	SZ-BL24W04-P-ACP	SZ-BL24W05-P-ACP	SZ-BL24W06-P-ACP
Size	8.03*8.03*12"	8.03*8.03*15.24"	8.03*8.03*15.24"	8.03*8.03*14.37"	8.03*8.034*14.37"	15.35*15.35*15"
QTY/CTN	1	1	1	1	1	1
N.W	2.58Kg	2.04Kg	1.9Kg	2.22Kg	2.41Kg	2.59Kg
G.W	2.98Kg	2.34Kg	2.2Kg	2.52Kg	2.71Kg	2.9Kg

LED Bollard Light

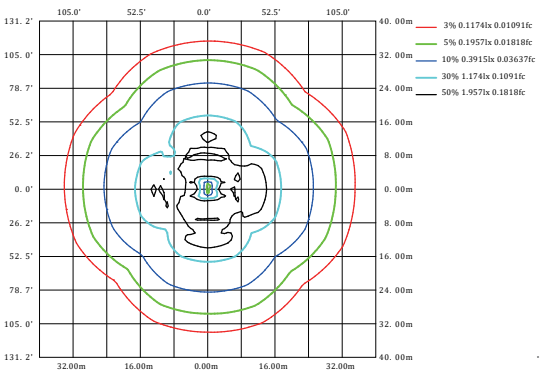
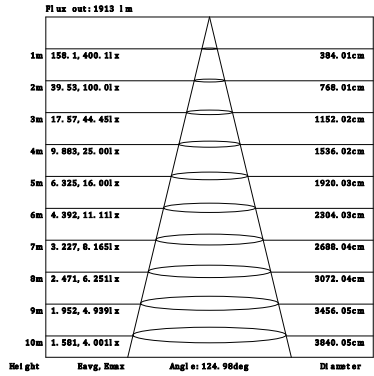
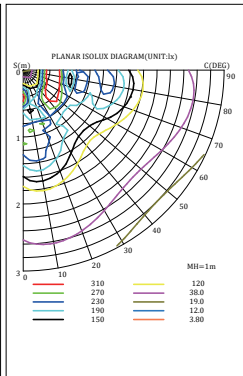
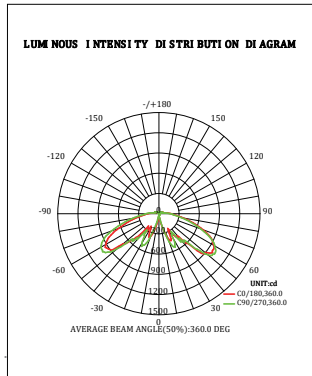
Light Distribution Testing Parameters

PHOTOMETRICS:

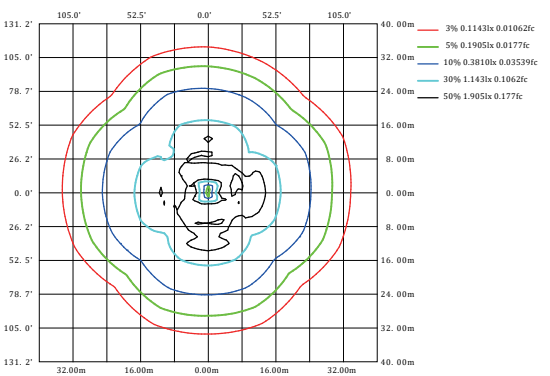
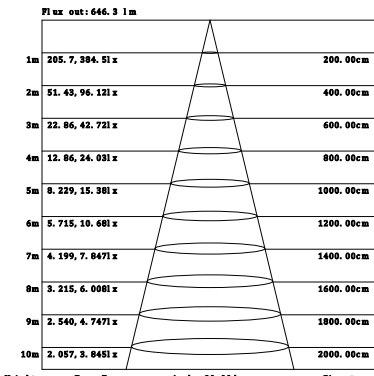
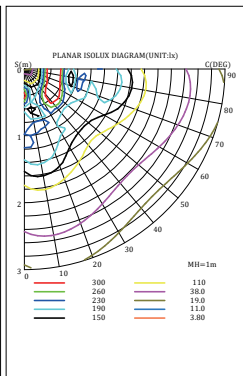
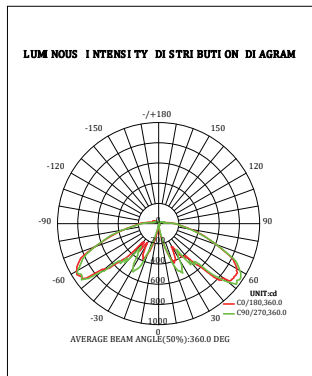
SZ-BL24W01-P-ACP



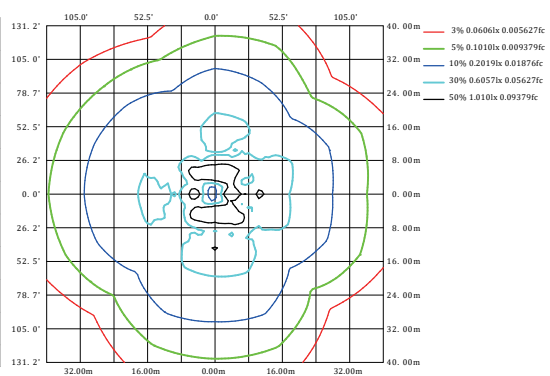
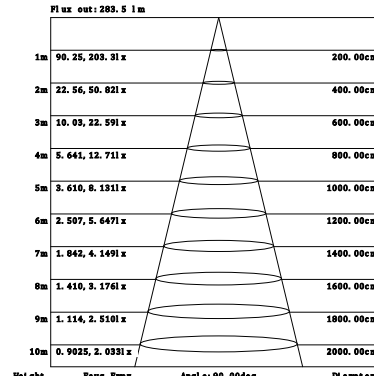
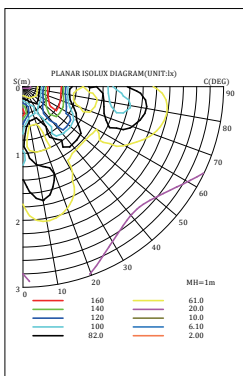
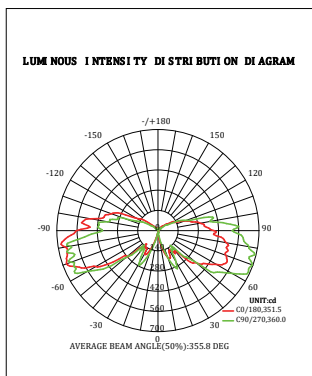
SZ-BL24W02-P-ACP



SZ-BL24W03-P-ACP]

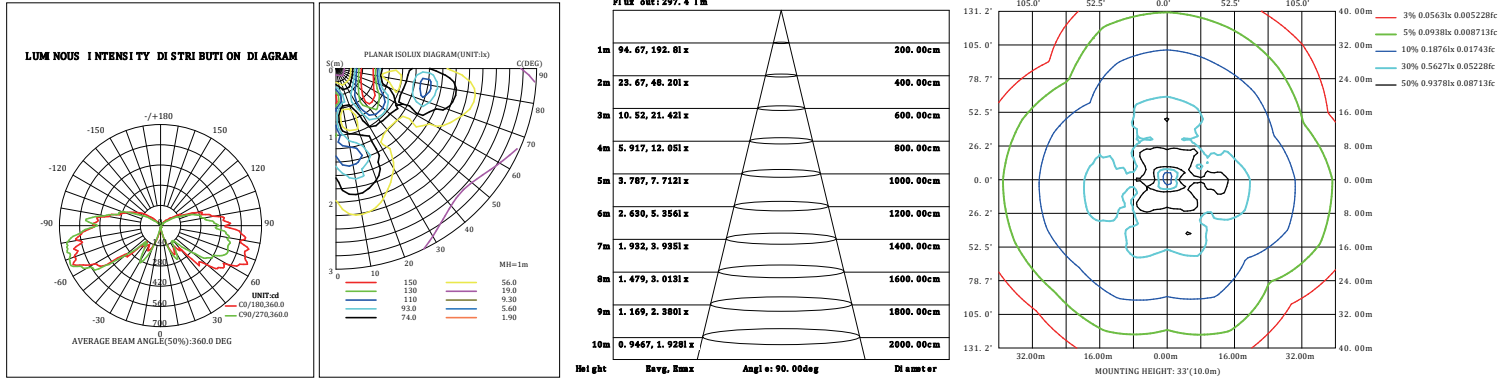


SZ-BL24W04-P-ACP

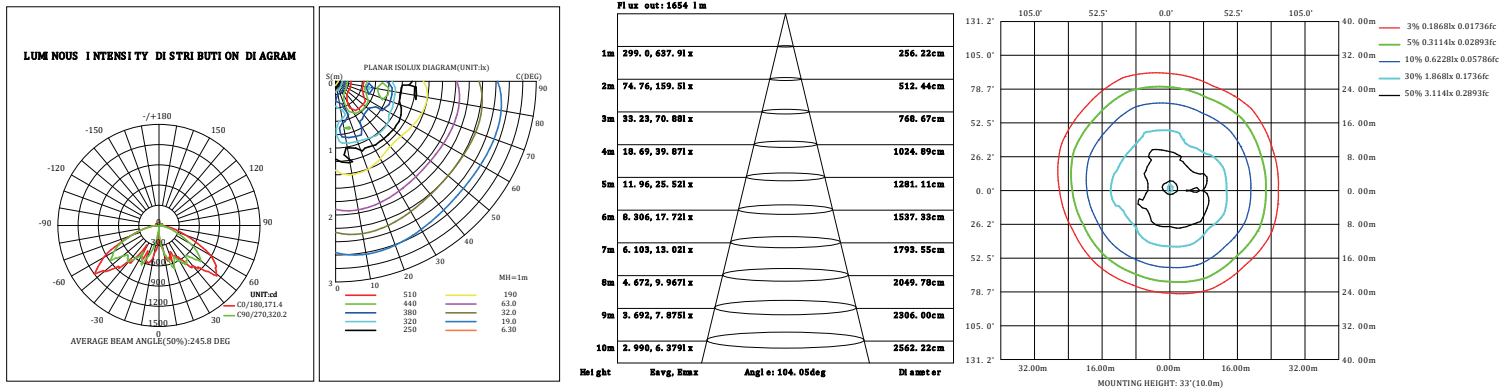


LED Bollard Light

SZ-BL24W05-P-ACP



SZ-BL24W06-P-ACP



LED Bollard Light

LED Bollard LIGHT INSTRUCTIONS (Round)

Cautions:

- 1 Can not use the electric generator to test the LED lamp.
- 2 Please abide by related country, regional and local law and regulations when install this fixture.
- 3 To avoid electrical shock and damage, please do not install the lights in raining days.

Notices:

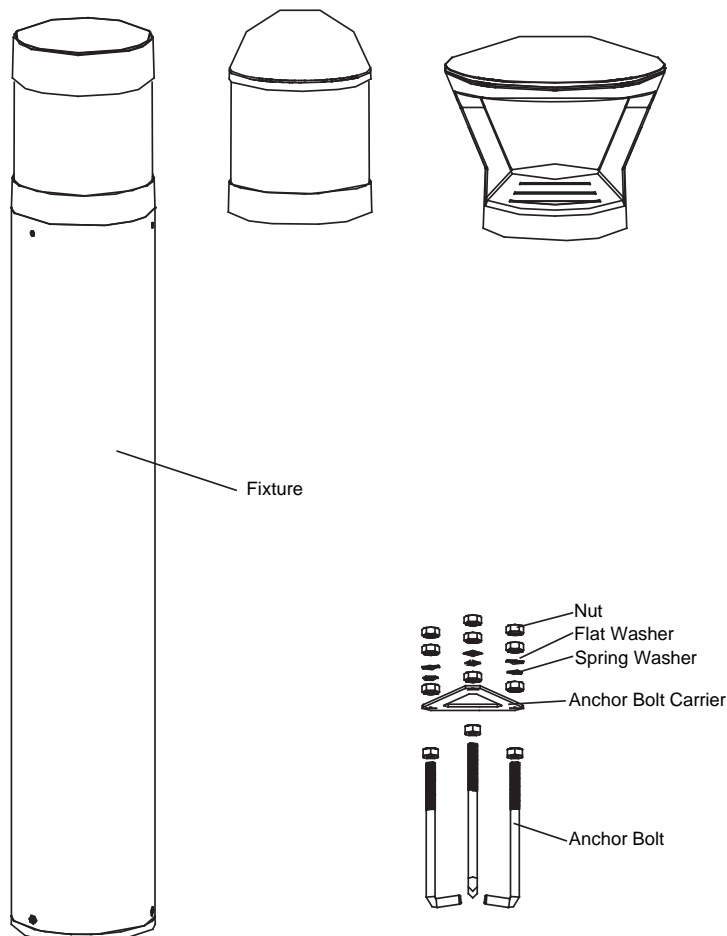
- 1 To prevent from electric shock or fire risk, the installation must be conducted by operator who have professional electrical knowledge.
- 2 Please wear gloves to avoid injury before installing lamps.
- 3 During or after installation, if there are situations such as smoke, fire in the wires or lamps, please turn off the power immediately and notify relevant personnel of an overhaul.
- 4 This light can be used for outdoor installation.

Instructions:

- 1 This product has dimming and non-dimming function, which differs in installation ways.
- 2 3 kind of dimming functions are available in this high bay light:
 - 1) Constant current can be achieved by 0-10VDC dim
 - 2) PWM signal dim
 - 3) Variation of resistance unit dimming (Please choose the appropriate dimming way according to your needs. You can also choose not to use this function)
- 3 Choose the wire connection ways, dimming ways and installation ways according to your needs and the led fixture purchased.

LUMINAIRE PREPARATION

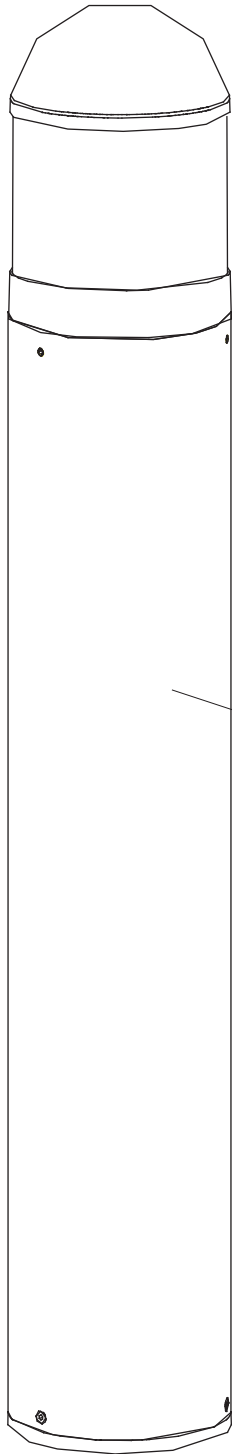
Remove the luminaire and accessories from the carton and inspect luminaire for damage. Do not install a damaged luminaire.



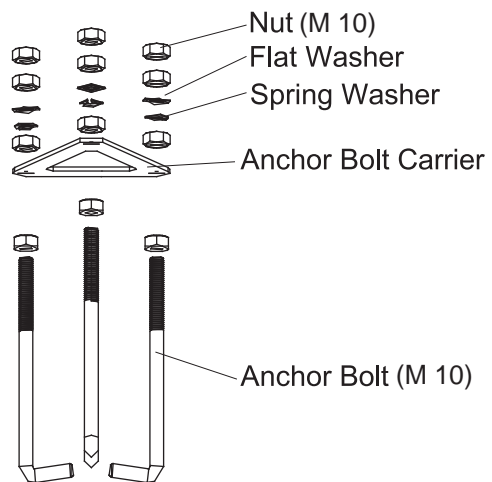
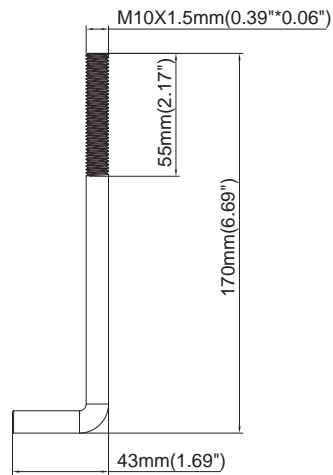
LED Bollard Light

LUMINAIRE PREPARATION

Carefully remove the luminaire and all accessories from the packaging. Inspect the luminaire thoroughly for any damage. Do not proceed with installation if the luminaire is damaged.



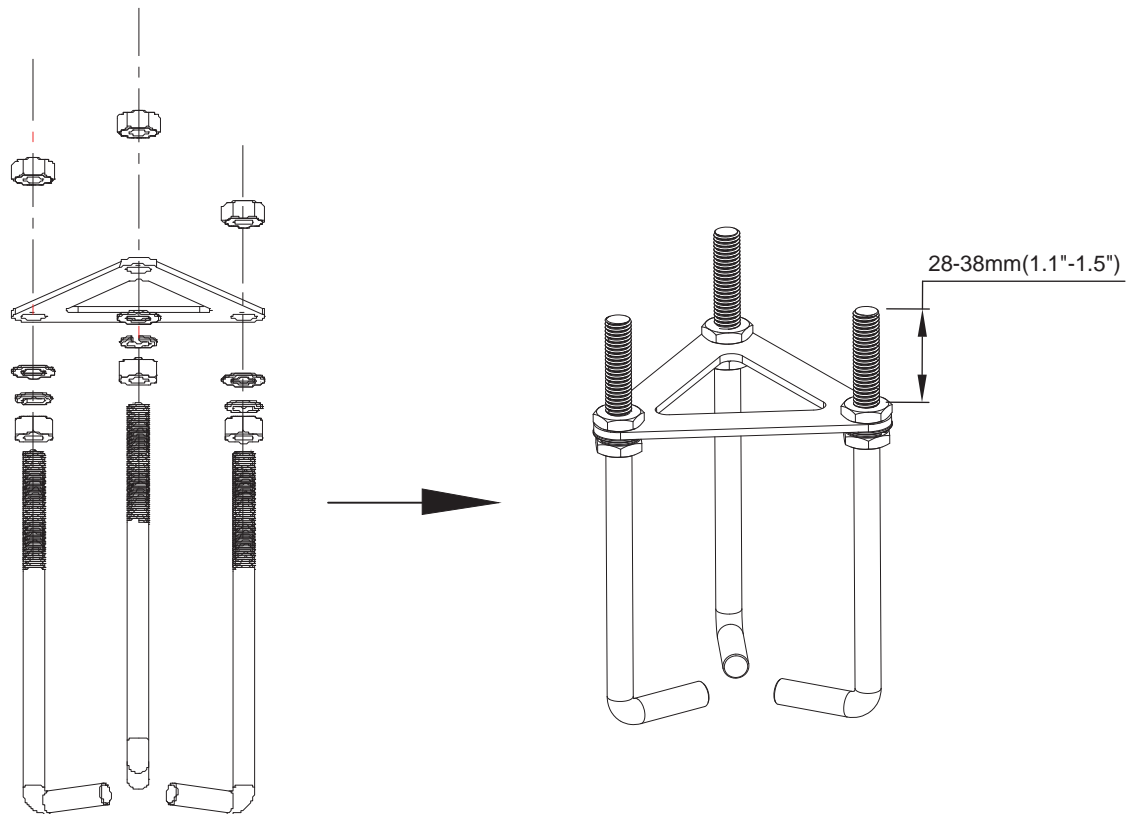
Fixture



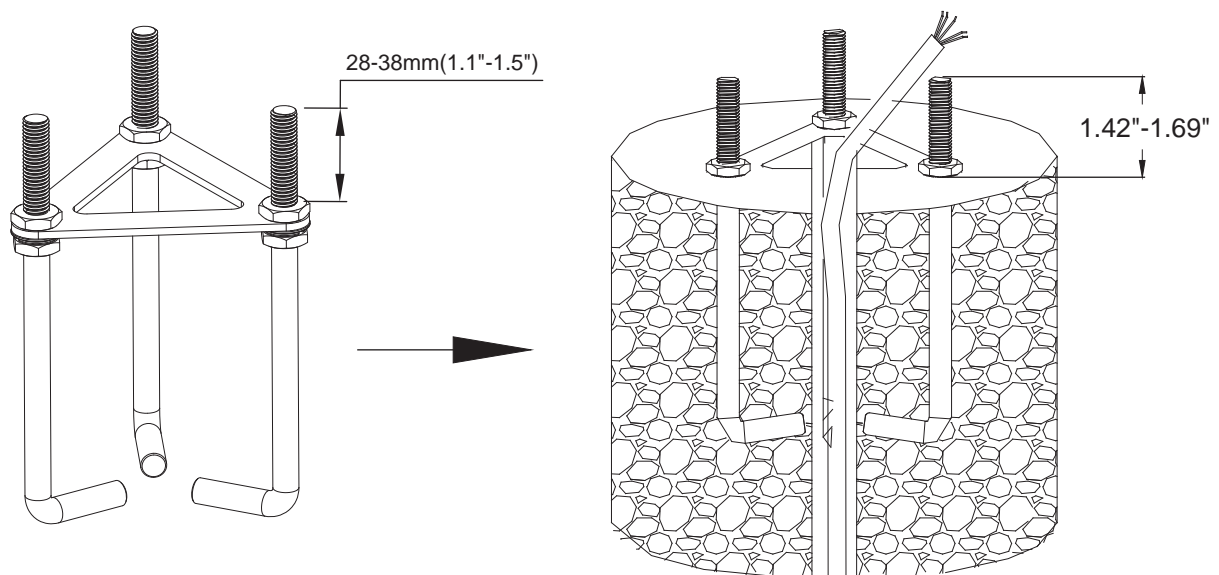
LED Bollard Light

INSTALLING BOLLARD

Prepare site for installation. Assemble the anchor bolt carrier to determine the placement of anchor bolts in the concrete.

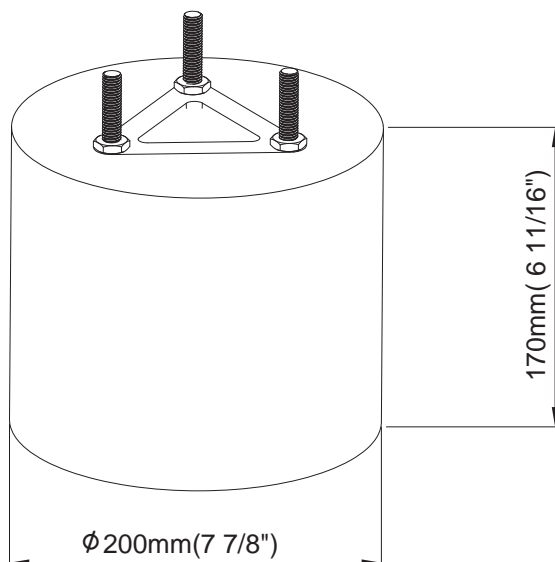


1. Ensure that concrete base is suitable for bollard's weight. (15lbs)
2. Install three anchor bolts into freshly poured, wet, reinforced concrete, leaving 36mm (1.42") to 43mm (1.69") protruding from the concrete.



LED Bollard Light

The minimum recommended size for the cement base is 200 mm (7 7/8 inches) in diameter and 170 mm (6 11/16 inches) in height.



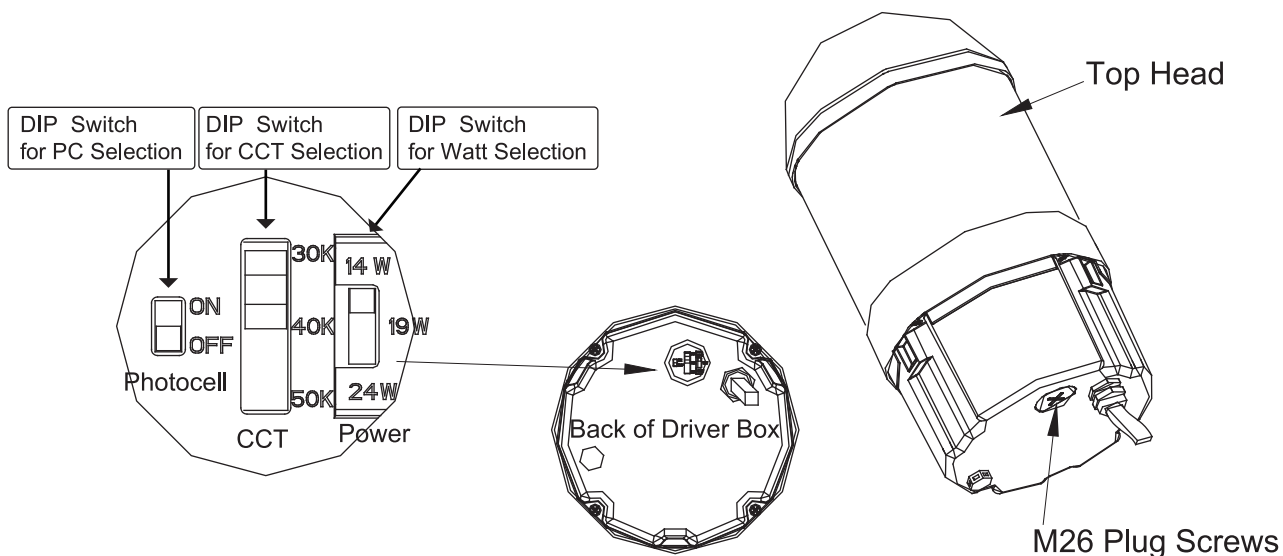
DIAL SWITCHES DIAGRAM

Remove the top section of the bollard and unscrew the M26 plug to access its settings.

Use the left switch to control the photocell.

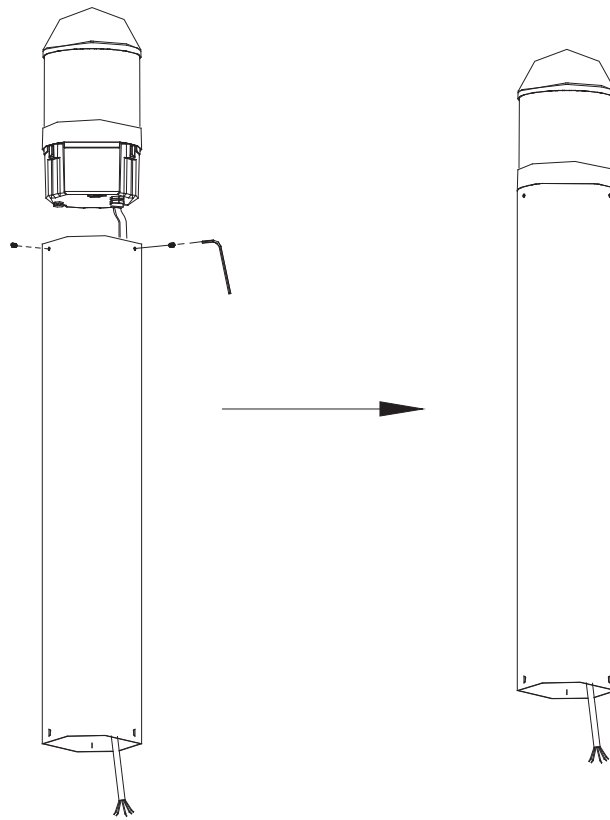
Use the middle switch to change the color temperature.

Use the right switch to adjust the wattage.



LED Bollard Light

Tighten the set screws with a hex wrench.

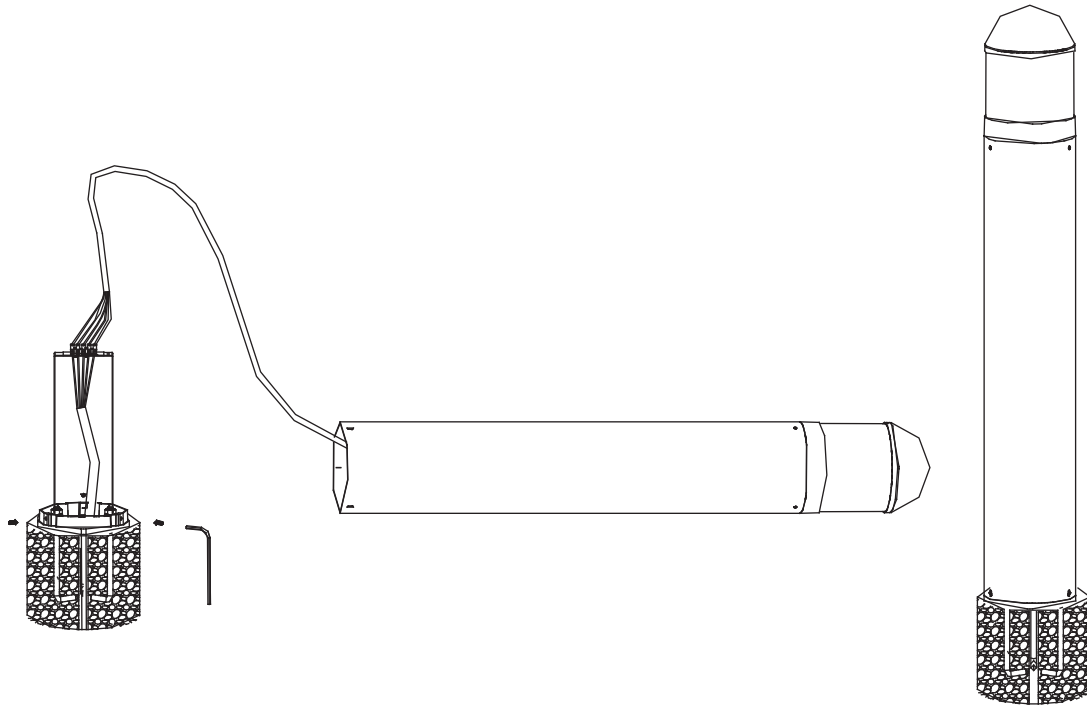


Place the bollard base plate over the anchor bolts and tighten the nuts, securing the base plate to the foundation.



LED Bollard Light

1. The wires should remain in place during installation and should not be disconnected.
2. Raise the fixture to its upright position, and tighten the set screws with a hex wrench.



WIRING DIAGRAM

NOTE:

This product supports both dimming and non-dimming functionalities. Each requires a distinct installation method.

- For non-dimming installation, leave the Pink (DIM-) and Purple (DIM+) wires disconnected and safely capped.
- For dimming installation, connect the Pink (DIM-) and Purple (DIM+) wires to a compatible 0-10V dimmer control. Ensure the dimmer is compatible with the fixture specifications



LED Bollard Light

LED Bollard LIGHT INSTRUCTIONS (Square)

Cautions:

- 1 Can not use the electric generator to test the LED lamp.
- 2 Please abide by related country, regional and local law and regulations when install this fixture.
- 3 To avoid electrical shock and damage, please do not install the lights in raining days.

Notices:

- 1 To prevent from electric shock or fire risk, the installation must be conducted by operator who have professional electrical knowledge.
- 2 Please wear gloves to avoid injury before installing lamps.
- 3 During or after installation, if there are situations such as smoke, fire in the wires or lamps, please turn off the power immediately and notify relevant personnel of an overhaul.
- 4 This light can be used for outdoor installation.

Instructions:

- 1 This product has dimming and non-dimming function, which differs in installation ways.
- 2 3 kind of dimming functions are available in this high bay light:
 - 1) Constant current can be achieved by 0-10VDC dimming.
 - 2) PWM signal dimming.
 - 3) Variation of resistance unit dimming (Please choose the appropriate dimming way according to your needs. You can also choose not to use this function)
- 3 Choose the wire connection ways, dimming ways and installation ways according to your needs and the led fixture purchased.

LUMINAIRE PREPARATION

Remove the luminaire (Fig 1) and accessories (Fig 2) from the carton and inspect luminaire for damage. Do not install a damaged luminaire.

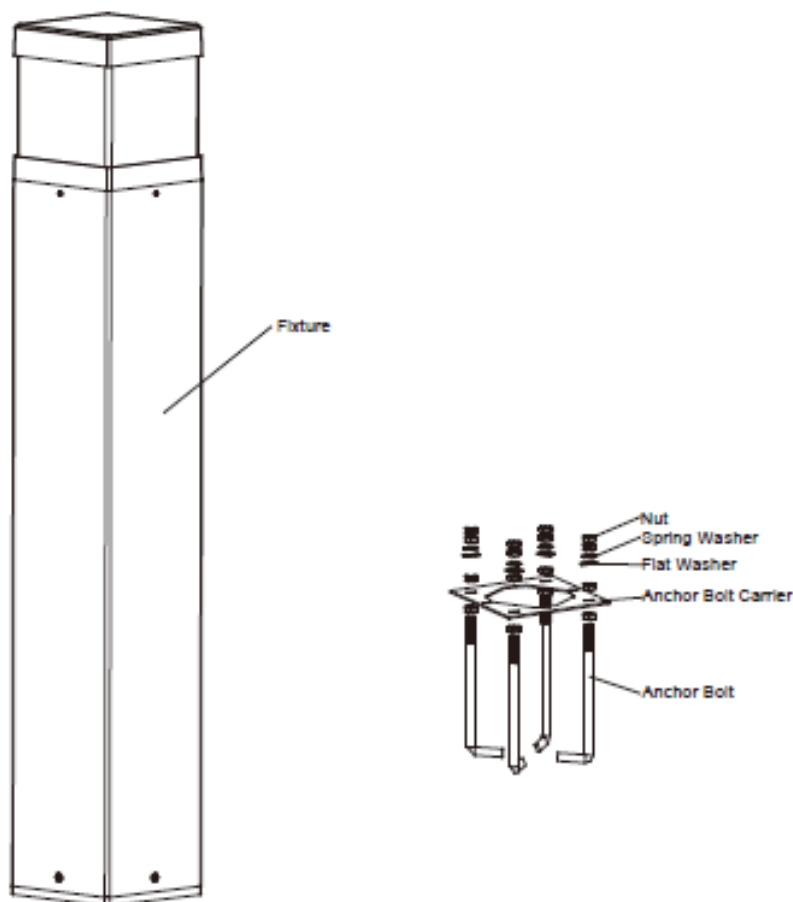
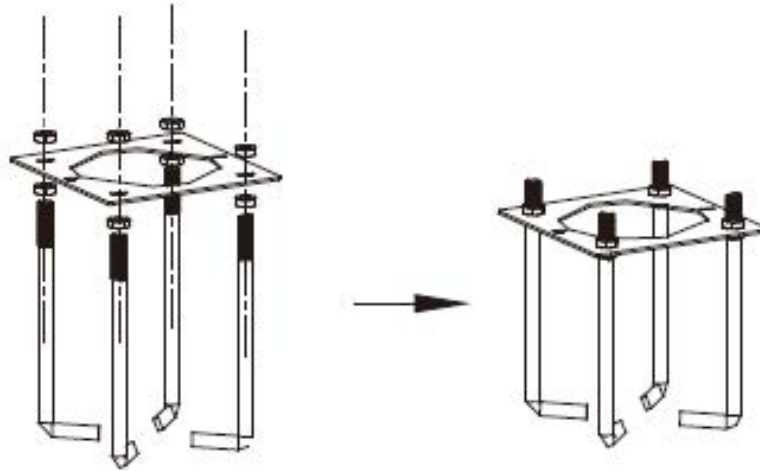


Fig 1

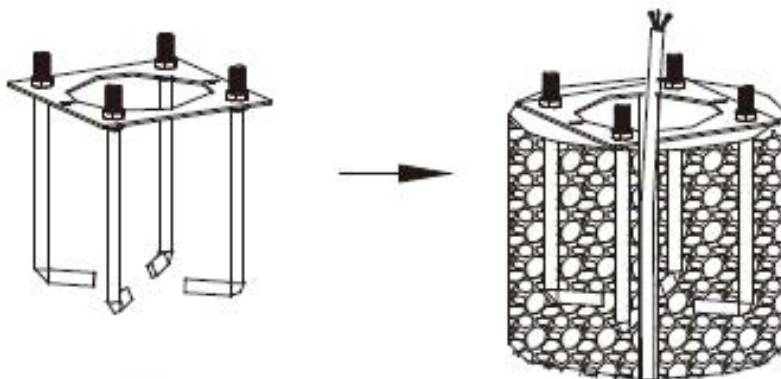
LED Bollard Light

INSTALLING BOLLARD

Prepare site for installation. Assemble the anchor bolt carrier to determine placement of anchor bolts to concrete.



1. Ensure that concrete base is suitable for bollard's weight
2. Install three anchor bolts into freshly poured, wet, reinforced concrete with 1/2 to 1 3/4 Inches protruding from concrete. Threads should be free of any dirt and debris



DIAL SWITCHES DIAGRAM

Remove top section of bollard to adjust its settings. Use right switch to adjust wattage, middle switch to photocell and left switch to change color temperature

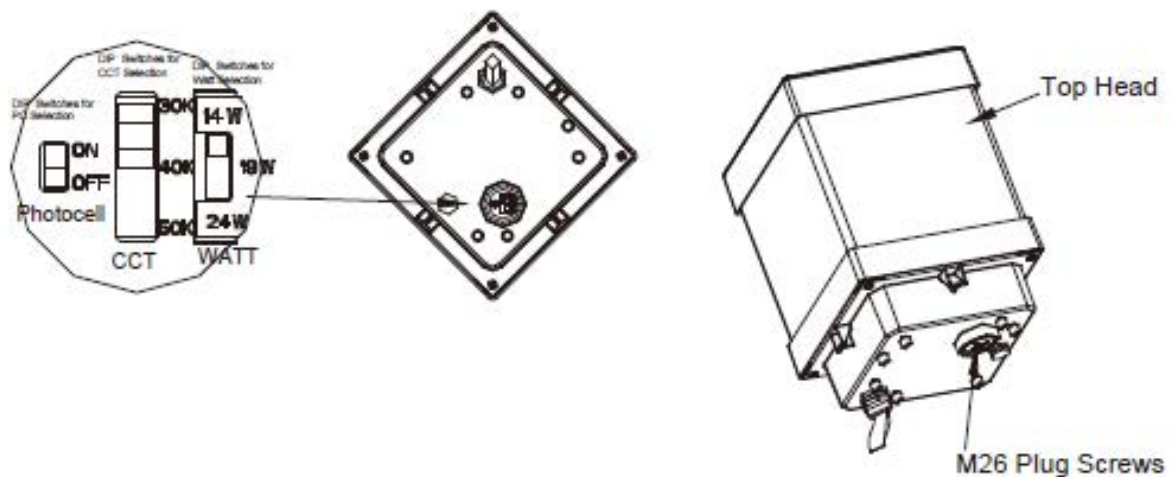
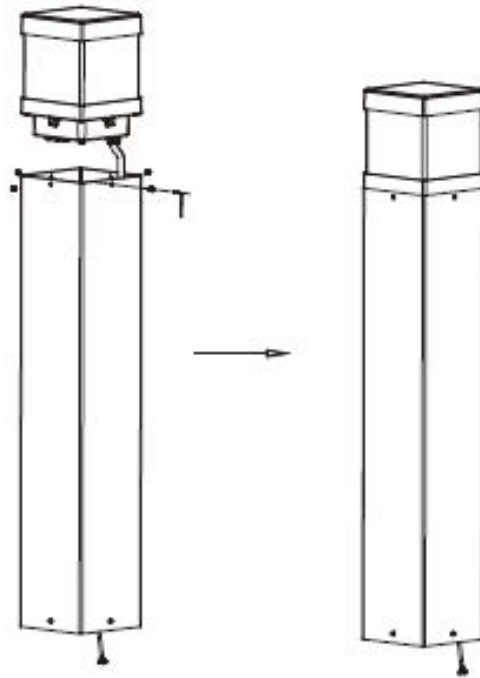


Fig 2

LED Bollard Light

Tighten the set screw fixture with a hex wrench.



Place bollard base plate over anchor bolts and tighten nuts securing the base plate to the foundation

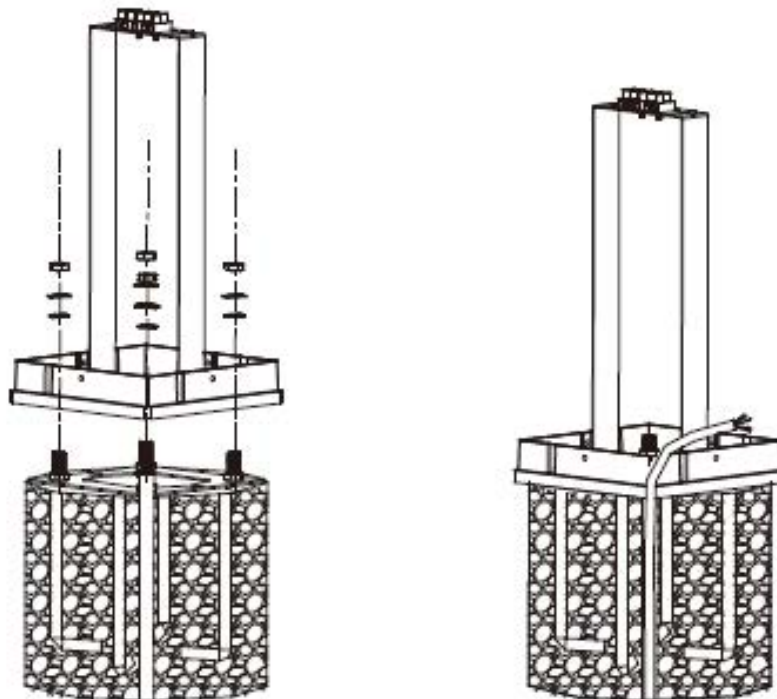
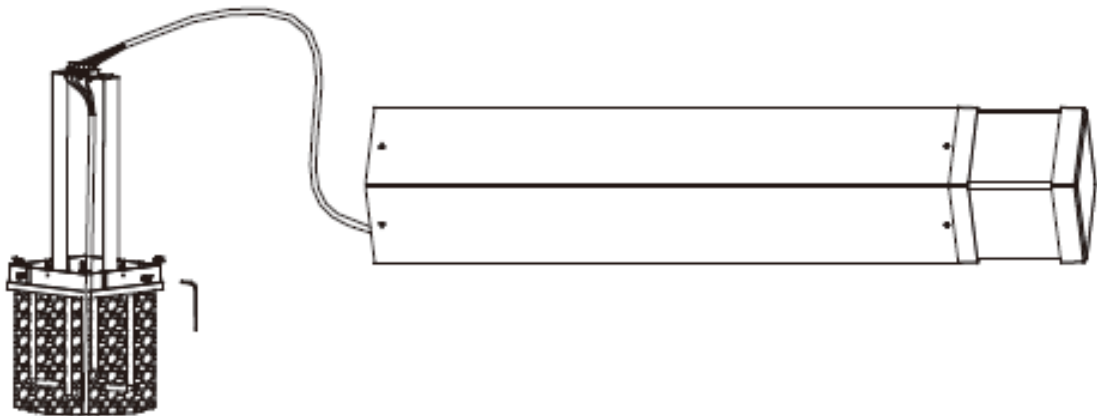


Fig 3

LED Bollard Light

1. Wires will stay in place during installation, and should not be disconnected. Verify that wires are securely connected after installing the base.
2. Raise the fixture to its upward position, and tighten the set screws with hex wrench



WIRING DIRAGRAM

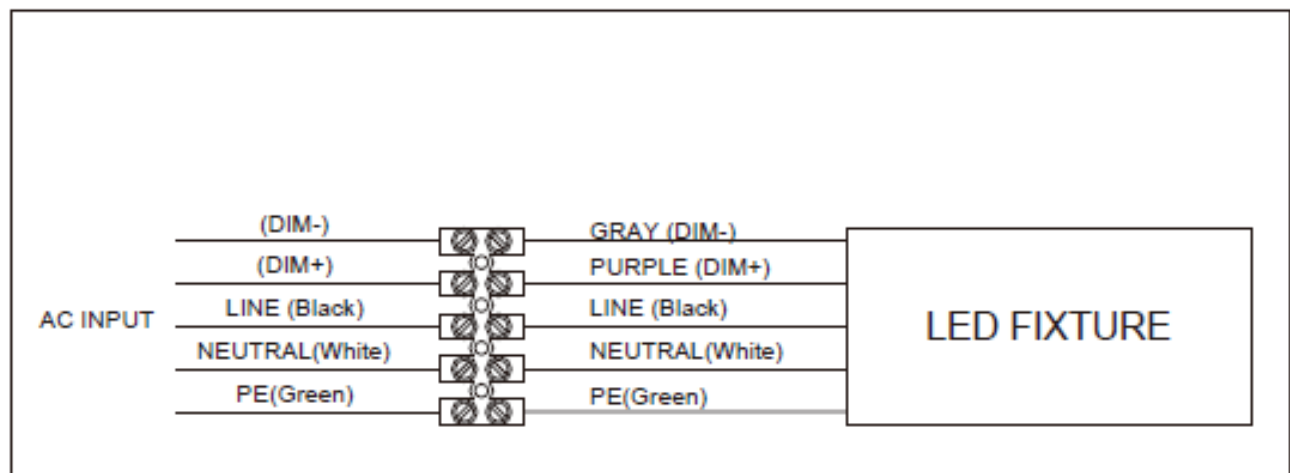


Fig 4

LED Bollard Light

LED Bollard LIGHT INSTRUCTIONS SZ-BL-Base-R6.4

Cautions:

- 1 Can not use the electric generator to test the LED lamp.
- 2 Please abide by related country, regional and local law and regulations when install this fixture.
- 3 To avoid electrical shock and damage, please do not install the lights in raining days.

Notices:

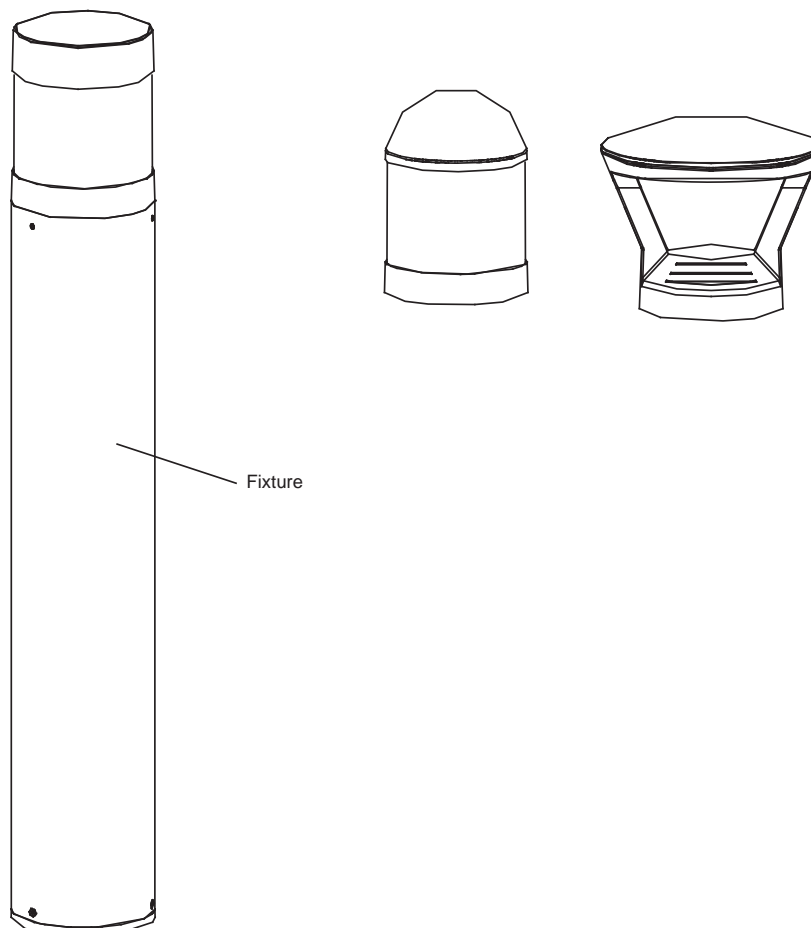
- 1 To prevent from electric shock or fire risk, the installation must be conducted by operator who have professional electrical knowledge.
- 2 Please wear gloves to avoid injury before installing lamps.
- 3 During or after installation, if there are situations such as smoke, fire in the wires or lamps, please turn off the power immediately and notify relevant personnel of an overhaul.
- 4 This light can be used for outdoor installation.

Instructions:

- 1 This product has dimming and non-dimming function, which differs in installation ways.
- 2 3 kind of dimming functions are available in this high bay light:
 - 1) Constant current can be achieved by 0-10VDC dimming.
 - 2) PWM signal dimming.
 - 3) Variation of resistance unit dimming (Please choose the appropriate dimming way according to your needs. You can also choose not to use this function)
- 3 Choose the wire connection ways, dimming ways and installation ways according to your needs and the led fixture purchased.

LUMINAIRE PREPARATION

Remove the luminaire and accessories from the carton and inspect luminaire for damage. Do not install a damaged luminaire.

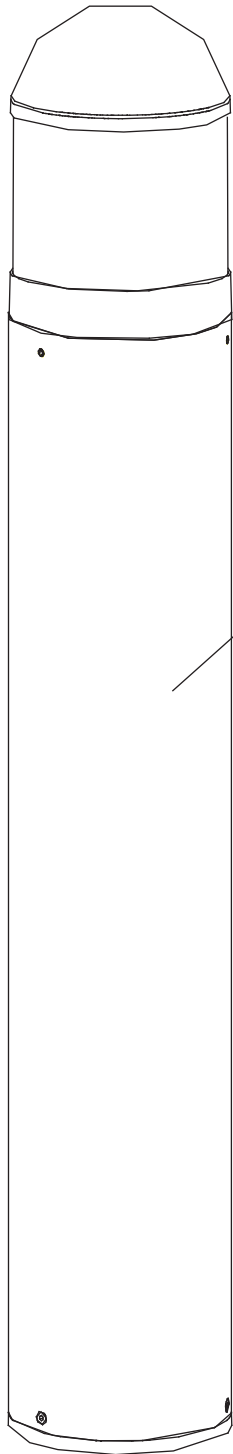


LED Bollard Light

LUMINAIRE PREPARATION

Carefully remove the luminaire and all accessories from the packaging.

Inspect the luminaire thoroughly for any damage. Do not proceed with installation if the luminaire is damaged.



Fixture

Install the
cover plate



Install base
plate



4PCS:M5*14(hex socket screw)



3PCS:M10*35(hex socket screw)

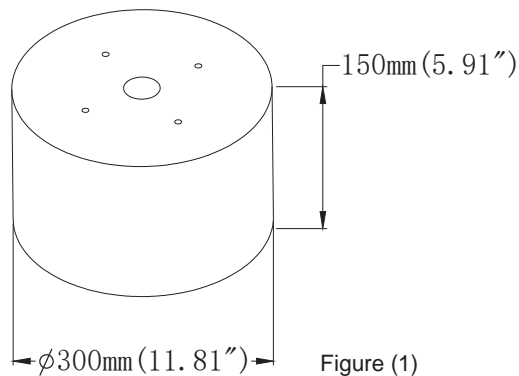


4PCS:M6*60(expansion bolt)

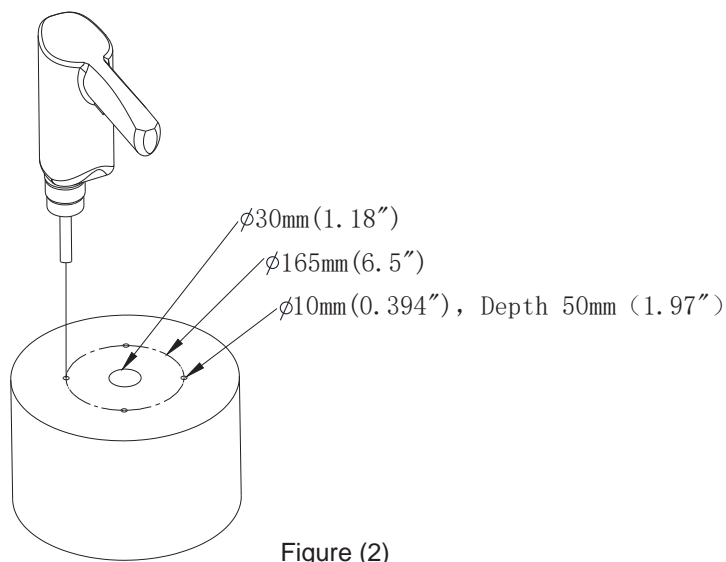
LED Bollard Light

INSTALLATION INSTRUCTION

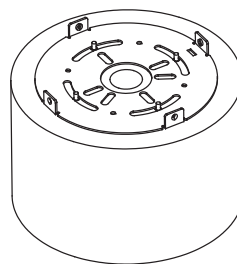
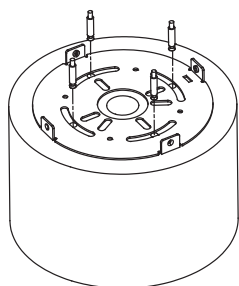
1. The minimum recommended size for a concrete base is 300mm(11.81") in diameter and 150mm(5.91") in height.



2. Use a rotary hammer to drill four bottom holes with a diameter of 10mm (0.394") and a depth of 50mm(1.97") on a circle with a diameter of 165mm(6.5"), as well as a wire hole of 30mm(1.18") in the middle.



3. Take out four M6 stainless steel expansion bolts from the accessory kit, and insert the bolts into holes with a diameter of 10mm, as shown in Figure (3) and Figure (4).



LED Bollard Light

4. Tighten the M6 nut, as shown in Figure (5).

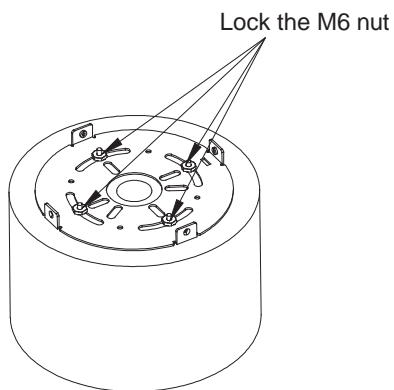


Figure (5)

5. Install the mounting cover plate and secure it with M6 hexagonal flat-head screws, as shown in Figure (5).

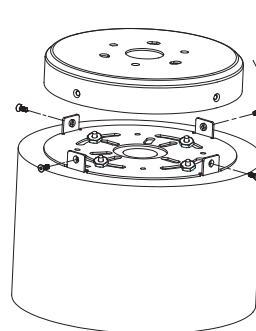


Figure (6)

6. DIAL SWITCHES DIAGRAM

Remove the top section of the bollard and unscrew the M26 plug to access its settings.

Use the left switch to control the photocell.

Use the middle switch to change the color temperature.

Use the right switch to adjust the wattage.

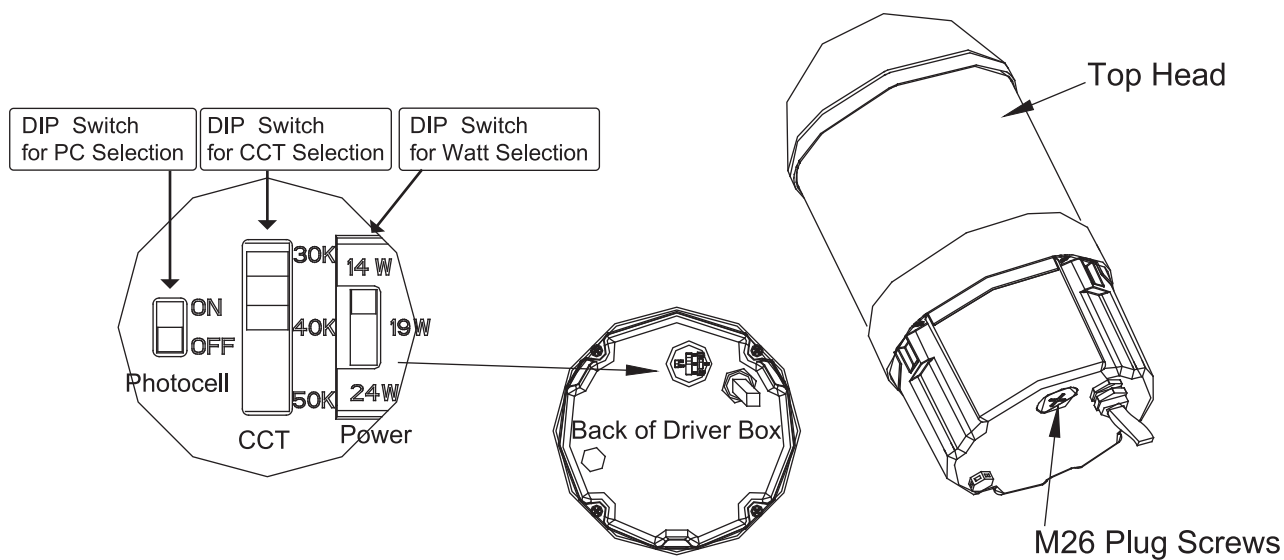


Figure (7)

LED Bollard Light

7. Tighten the set screws with a hex wrench

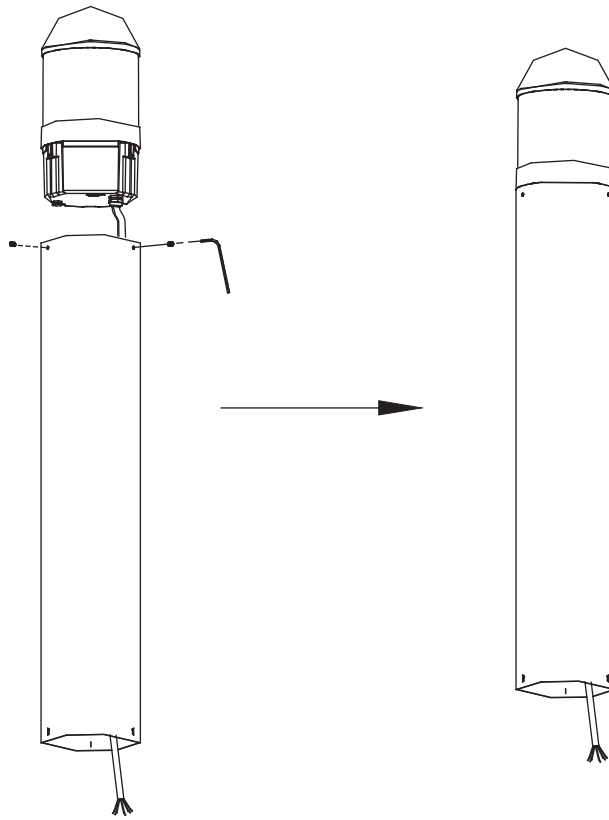


Figure (8)

8. Fix the mounting base onto the base cover plate using the M10*35 hexagonal socket screw from the accessory kit, as shown in Figures (9) and (10).

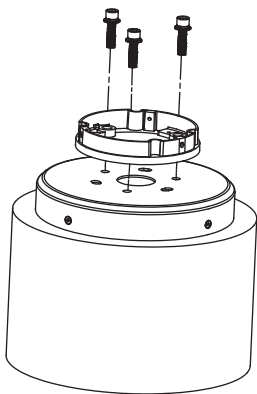


Figure (9)

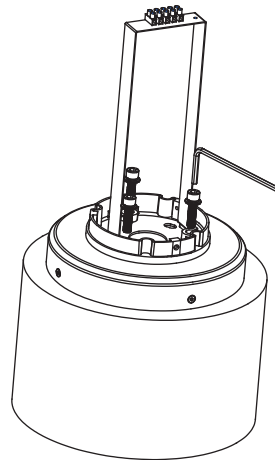


Figure (10)

LED Bollard Light

9. Pull the city power wire out of the outlet hole in the middle of the concrete base, and connect it to the input wire of the lamp according to the following wiring diagram, as shown in Figures (11) and (12).

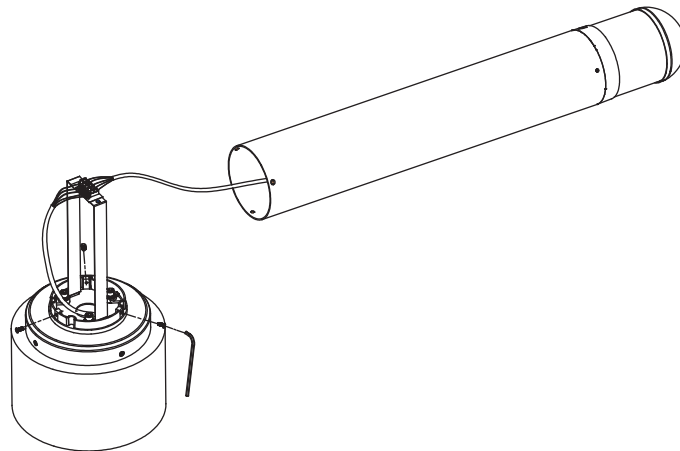
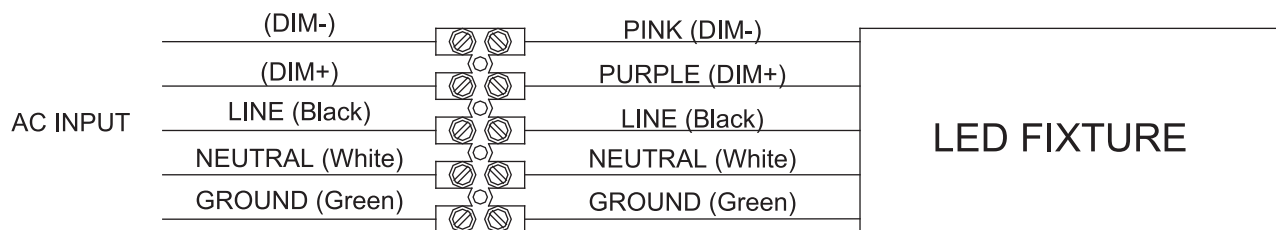


Figure (12)



10. Installation completed, as shown in Figures (13).

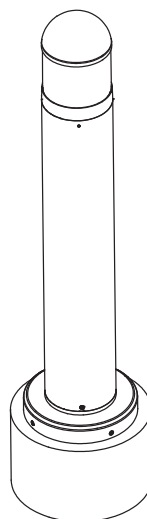


Figure (13)

NOTE:

This product supports both dimming and non-dimming functionalities. Each requires a distinct installation method.

- For non-dimming installation, leave the Pink (DIM-) and Purple (DIM+) wires disconnected and safely capped.
- For dimming installation, connect the Pink (DIM-) and Purple (DIM+) wires to a compatible 0-10V dimmer control. Ensure the dimmer is compatible with the fixture specifications