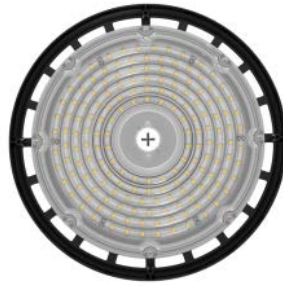


LED High Bay Light



A unique feature for this fixture is the quick disconnected cable, it can quickly separate the driver from the LED module for easy maintenance. The unit has built-in heat sink and comes with a hook made of die-cast aluminum for a strong and easy installation.



Catalog Number	Description	Angle	Lumens	Watts	CCT	Voltage
SZ-HB150W-ACP	LED High Bay Light	90°	22500 Lm)	Adjustable 100W/120W/150W	Adjustable 4000K/5000K/6000K	120V - 277V Optional 120-347V,277-480V
SZ-HB240W-H-ACP (02)	LED High Bay Light	90°	36000 Lm	Adjustable 150W/200W/240W	Adjustable 4000K/5000K/6000K	120V - 277V Optional 120-347V,277-480V
SZ-HB300W-H-5700K (02)	LED High Bay Light	90°	45000 Lm	300W	5700K	120V - 277V Optional 120-347V,277-480V

ORDERING GUIDE

Example: SZ-HB240W-H-ACP

Company Code	Fixture Type	Wattage	High Efficiency	Voltage	ACP or CCT
<input type="text"/>	<input type="text"/>	<input type="text"/>	<input type="text"/>	<input type="text"/>	<input type="text"/>
SZ Company Name	HB High Bay Light	150W 240W 300W	H high Efficient	Blank 120-277V MV 120-347V HV 277-480V	ACP Adjustable CCT and Power 150W:100/120/150W 4000K/5000K/6000K 240W:150/200/240W 4000K/5000K/6000K CCT 300W 5700K

Accessories



Rings (Sold Separately)



Hook (Standard)



Yoke (Sold Separately)

LED High Bay Light

Specifications

Housing

Sealed die-casting profile for outdoor applications.

Mounting

Hook, Rings and Yoke.

Electrical

Standard 120V - 277V, Optional 120-347V and 277-480V
0-10V dimming standard with a dimming range of 100% to 10%. PF > 0.9. Surge protection: 6KV.

CCT and CRI

Adjustable 4000K/5000K/6000K. CRI 70.

Angle

Standard 90°

Operating Temperature

Suitable for use in -40° C to 45° C (-40° F to 113° F).

Efficacy

Up to 150 lumens per watt.

Lifespan

L70 >50,000 Hours at 25°C (77°F).

Certifications

UL Listed for wet locations, DLC5.1, FCC compliant, IP65 rated.

Warranty

5-year limited warranty.

Product Structure Characteristics:

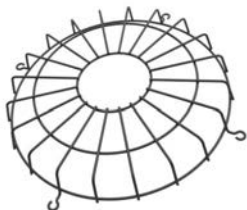


Easy, screw-in sensors for all your needs.

WATT/CCT
SELECTABLE



Accessories



Wire Guard



90° Aluminum Reflector



90° PC Reflector



bottom cover for PC reflector



Safety Rope



Hanging Chains



SZ-EMXXW-HB
Emergency Driver



SZ-MS-MH1: Microwave sensor
SZ-PS-A: Photocell sensor



SZ-MS-MH1K5
Plug-and-Play Microwave and
PhotoCell Sensor, 5 Manual
Switches, easy programming

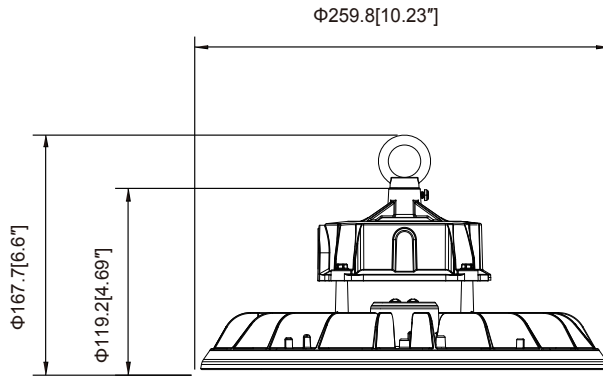


SZ-MS-RC1
Sensor Remote

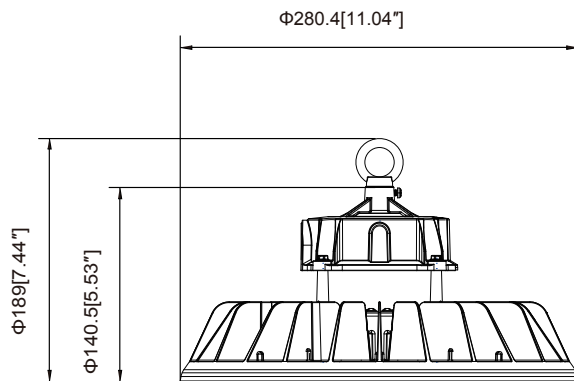
LED High Bay Light

Dimension:

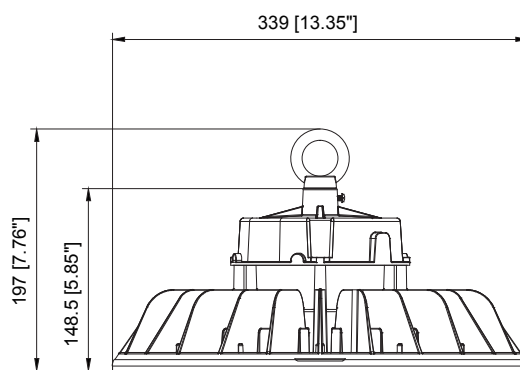
150W



240W



300W



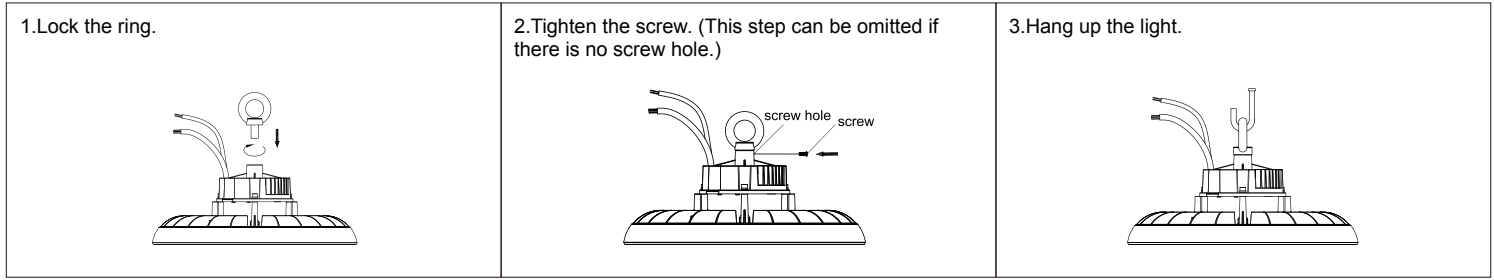
Packing/Weight:

Model	Outer box (L*W*H)	Qty/CTN (pcs)	N.W./pcs (lbs/kg)	G.W./CTN (lbs/kg)	Remark
SZ-HB150W-ACP	10.59* 10.59**5.63" 269*269*143mm	1	3.3/1.5	4.18/1.9	2M Cable
SZ-HB240W-H-ACP (02)	11.38**11.38**6.38" 289*289*162mm	1	4.84/2.2	5.72/2.6	
SZ-HB300W-H-5700K (02)	13.82**13.82**7.48" 351*351*190mm	1	6.95/3.16	8.36/3.8	

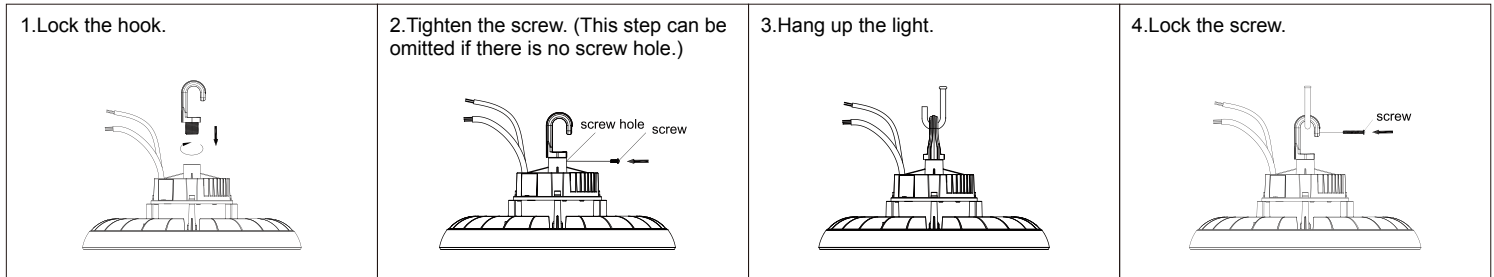
LED High Bay Light

INSTALLTION INSTRUCTION:

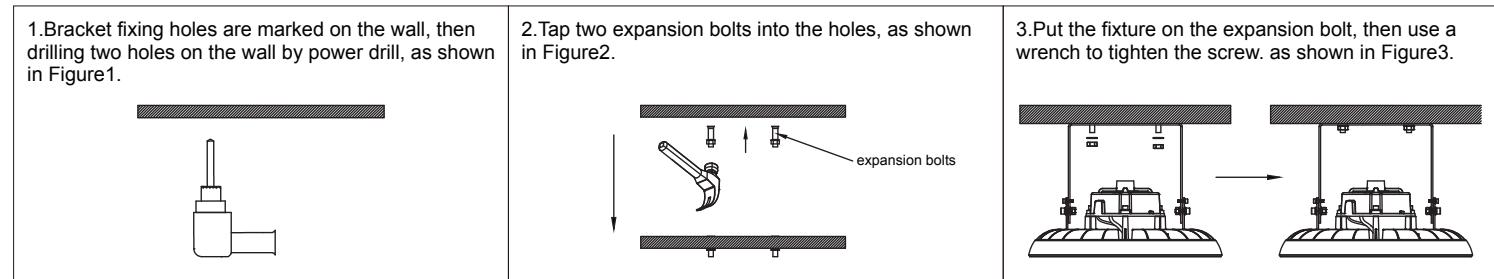
1.Rings type:



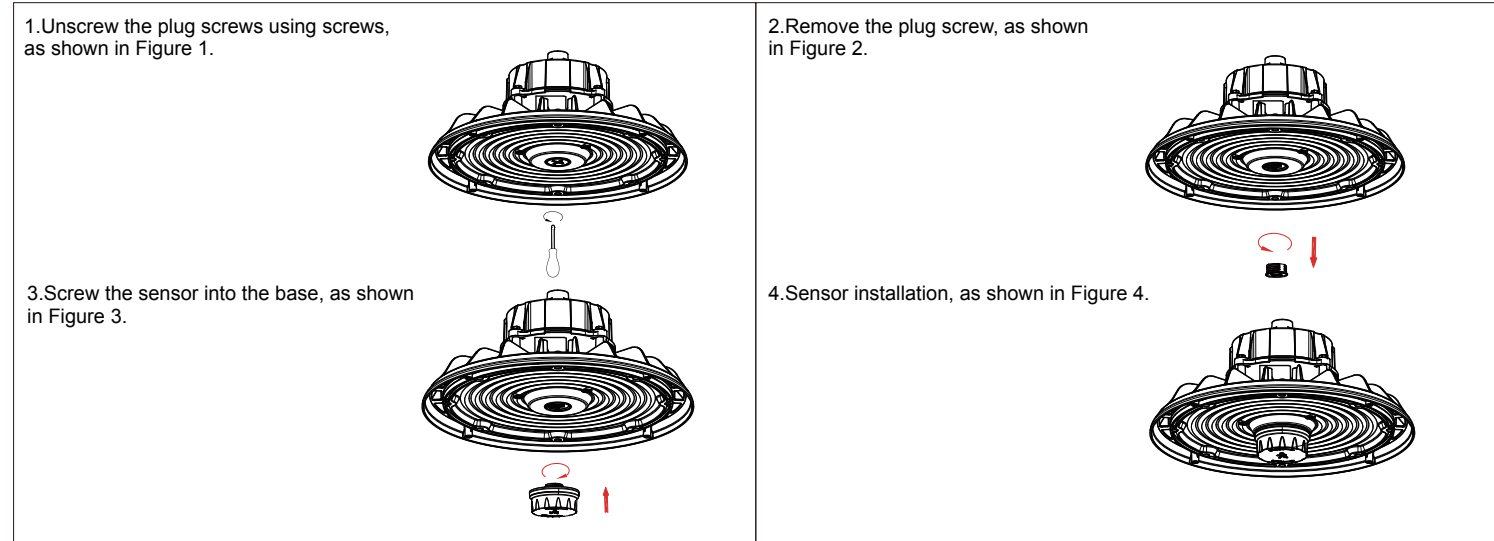
2.Hook type:



3.YOKE type:



4.Sensor installation:



WIRING CONNECTION:

Turn off the power,connect AC wire.Black wire to L,white wire to N,and green wire to PE.

Dimmer connection(with dimmable driver.)

1. Compatible with 0-10V dimming.

2. Connect wires as below, Pink 0-10V Dimming purple wire is D+,pink wire is D-,cap red wire.

