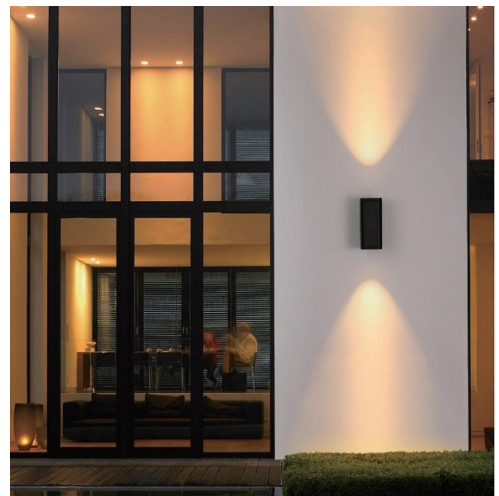


LED Up Down Light



LED Up Downlight is Opti-select Cylinders offer 3 CCT, 3 wattages, 3 beam angles and 3 light modes in only one SKU. D2D photocell can automatically turn off at sunrise or during the day, and automatically light up at sunset or night. It is a highly efficient lighting solution that provides long-lasting and energy-saving. An innovative and flexible wall fixture ideal for facades, entryways and wall washing.



Catalog Number	Description	Angle	Lumens	Watts	CCT	Voltage
SZ-UPDN-10W3-ACP	LED Up Down light	Adjustable 25°, 40°, 60°	Up to 150Lm/W	Adjustable 6W/8W/10W	Adjustable 3000K/4000K/5000K	120-347V
SZ-UPDN-20W4-ACP	LED Up Down light	Adjustable 25°, 40°, 60°	Up to 150Lm/W	Adjustable 12W/16W/20W	Adjustable 3000K/4000K/5000K	120-347V
SZ-UPDN-36W6-ACP	LED Up Down light	Adjustable 25°, 40°, 60°	Up to 150Lm/W	Adjustable 21W/28W/36W	Adjustable 3000K/4000K/5000K	120-347V

ORDERING GUIDE

Example: SZ-UPDN-20W4-ACP

Company Code	Fixture Type	Wattage	Size	Voltage	ACP
SZ Company Name	UPDN Up Down Light	10W 20W 36W	3 3" 4 4" 6 6"	Blank 120-347V	Adjustable CCT and Power 10W: 6/8/10W 3000K/4000K/5000K 20W: 12/16/20W 3000K/4000K/5000K 36W: 21/28/36W 3000K/4000K/5000K

Accessories (Optional)



LED Up Down Light

Specifications

Housing

6063 Aluminum, Finish: Optional White, Black, Bronze.

Mounting

Wall mount

Electrical

Standard 120-347V

0-10V dimming standard with a dimming range of 100% to 10%. PF > 0.9. Surge Protection 4KV

CCT and CRI

3 CCT Adjustable 3000K/4000K/5000K, CRI 80.

Angle

3 Angle Adjustable 25°, 40°, 60°

Operating Temperature

Suitable for use in -40° C to 45° C (-40° F to 113° F).

Efficacy

Up to 150 lumens per watt.

Lifespan

L70 >50,000 Hours at 25°C (77°F).

Certifications

UL Listed for wet locations, FCC compliant, IP65 rated.

Warranty

5-year limited warranty.

Product Structure Characteristics:



- **Field-adjustable**

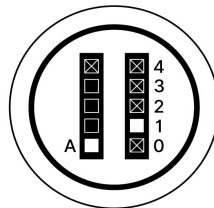
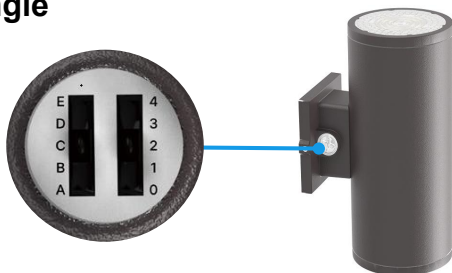
Wattage 3 Wattage selectable.

- **Photocell ON/OFF**

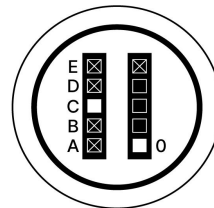
- **Light Direction Selection**

Up, Full, Down

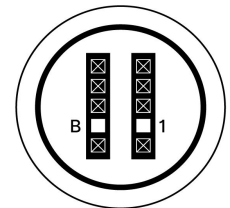
- **Field-adjustable CCT & Beam Angle**



A+1: 3000K 40°
A+2: 4000K 25°
A+3: 5000K 25°
A+4: 3000K 25°



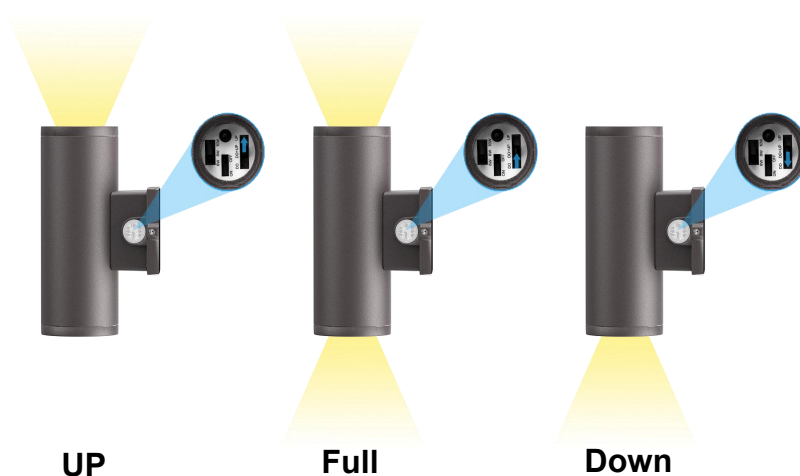
B+0: 5000K 40°
C+0: 5000K 60°
D+0: 4000K 60°
E+0: 3000K 60°



B+1: 4000K 40°
(Factory Default)

- **Light Direction Selection**

Up, Full, Down



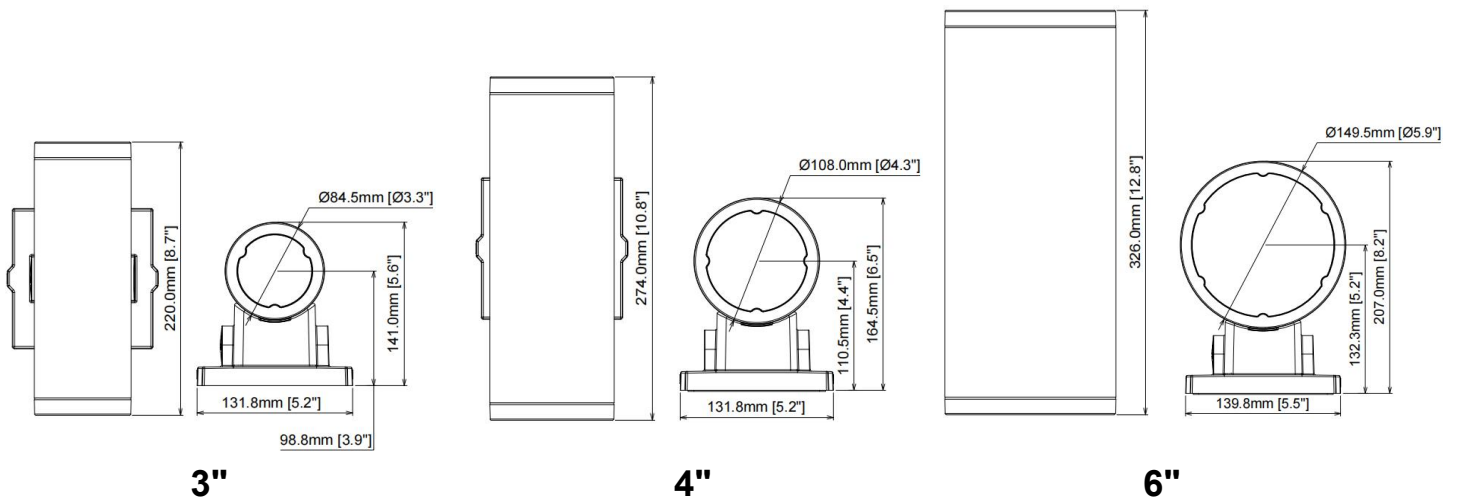
UP

Full

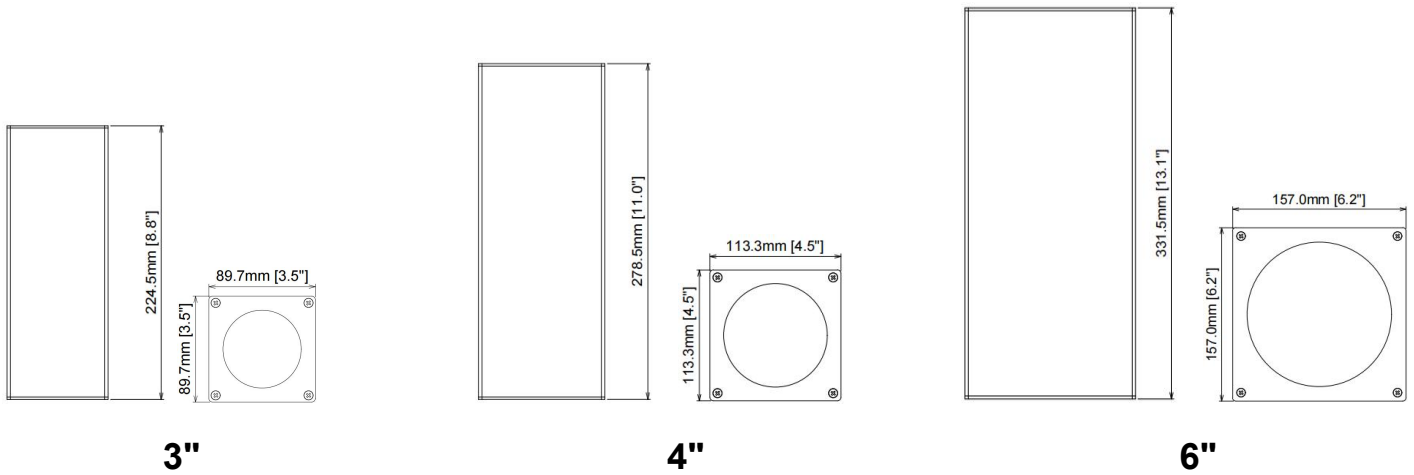
Down

LED Up Down Light

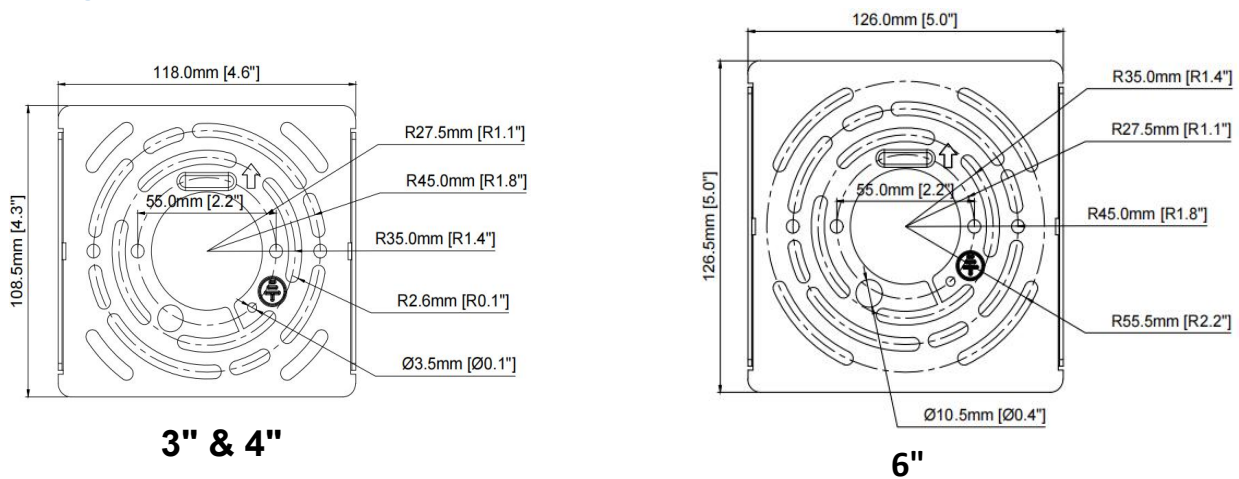
Dimension:



Square Shell Accessory Dimension:



Mounting Plates Dimension:



Packing/Weight:

Model	Outer box (L*W*H)	Qty/CTN (pcs)	N.W./pcs (kg)	G.W./CTN (kg)
SZ-UPDN-10W3-ACP	18.6"* 11.5"* 13.0" 472*291*329mm	8	12.4	14.33
SZ-UPDN-20W4-ACP	16.9"* 11.7"* 14.8" 430*296*377mm	6	13.2	15.31
SZ-UPDN-36W6-ACP	13.7"* 13.7"* 18.2" 349*349*463mm	4	13.2	15.25