

LED Architectural Wall Pack



Radius Shell



Quarter Sphere Shell



LED wall packs are your first choice for wall-mounted lighting projects. Two geometric shapes: Quartersphere and Radius available for different environment. 4 IN 1 switch is selectable for lighting direction, CCT, wattage, and photocell ON/OFF control. D2D photocell can automatically turn off at sunrise or during the day, and automatically light up at sunset or night.

Application: Pathways, Hospitality, Walkways, Hallways, Outdoor Commercial, Outdoor Residential.



| Catalog Number | Description | Angle | Lumens | Watts | CCT | Voltage |
|----------------|---------------------|----------|----------|-------------------------------|---------------------------------|----------------------------------|
| SZ-RSWP80W-ACP | LED Wall Pack Light | Type III | 12000 Lm | Adjustable 40W/50W/60W/80W | Adjustable 3000K/4000K/5000K | 120V - 277V Optional 120-347V |
| SZ-QSWP80W-ACP | LED Wall Pack Light | Type III | 12000 Lm | Adjustable 40W/50W/60W/80W | Adjustable 3000K/4000K/5000K | 120V - 277V Optional 120-347V |

ORDERING GUIDE

Example: SZ-RSWP80W-ACP

| Company Code | Fixture Type | Wattage | Voltage | Sensor | ACP |
|---------------------------|--|----------------------|---|--|--|
| <input type="text"/> | <input type="text"/> | <input type="text"/> | <input type="text"/> | <input type="text"/> | <input type="text"/> |
| SZ Company Name | RSWP Radius Shell Wall Pack Light QSWP Quarter Sphere Wall Pack Light | 80W | Blank 120-277V MV 120-347V | Blank Photocell PE=Photocell+EM M=Motion Sensor ME=Motion Sensor+EM | ACP Adjustable CCT and Power 80W:40/50/60/80W 3000/4000/5000K |

Specifications

Housing

Sealed die-casting profile for outdoor applications.

Electrical

Standard 120V - 277V, Optional 120-347V
0-10V dimming standard with a dimming range of 100% to 10%. PF > 0.9. Surge protection: 6KV.

CCT and CRI

Adjustable 3000K/4000K/5000K. CRI 80.

Angle

Type III

Operating Temperature

Suitable for use in -40° C to 45° C (-40° F to 113° F).

Efficacy

Up to 150 lumens per watt.

Lifespan

L70 >50,000 Hours at 25°C (77°F).

Certifications

UL Listed for wet locations, DLC5.1, FCC compliant, IP65 rated.

Warranty

5-year limited warranty.

Product Structure Characteristics:

Field-adjustable CCT
Field-adjustable wattage
Photocell ON/OFF
Light Direction Selection



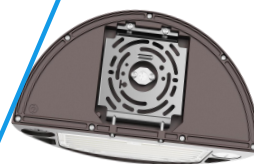
Field-adjustable CCT
Field-adjustable wattage
Photocell ON/OFF
Light Direction Selection



Field-adjustable CCT
Field-adjustable wattage
Photocell ON/OFF



Microwave motion sensor

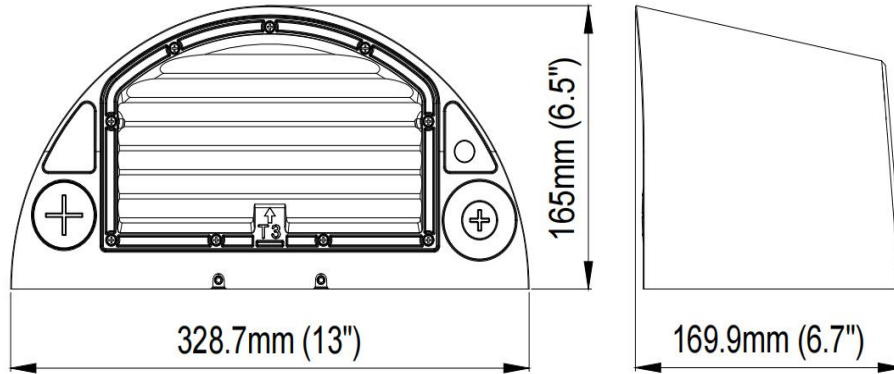


Mounting Plate

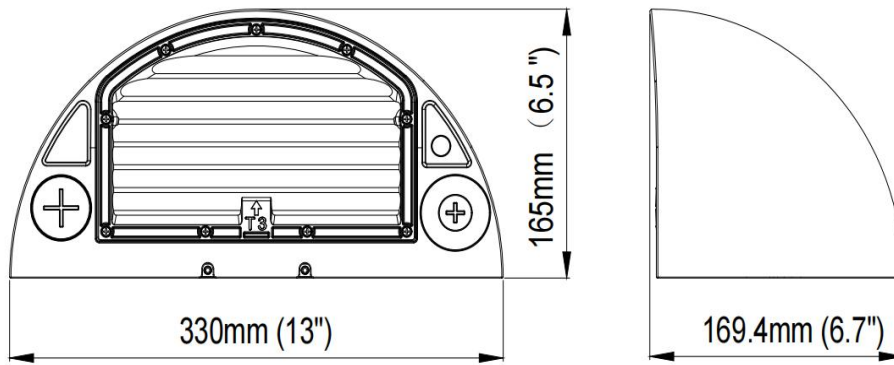
LED Architectural Wall Pack

Dimension:

Radius Shell



Quarter Sphere



Accessories (Optional)



SZ-MS-MH1
Microwave Sensor



SZ-PS-A
Photocell Sensor



SZ-MS-MH1K5
Plug-and-Play Microwave and Photocell Sensor, 5 Manual Switches, easy programming



SZ-MS-RC1
Sensor Remote



SZ-EMXXW-Y-WP
Emergency Driver



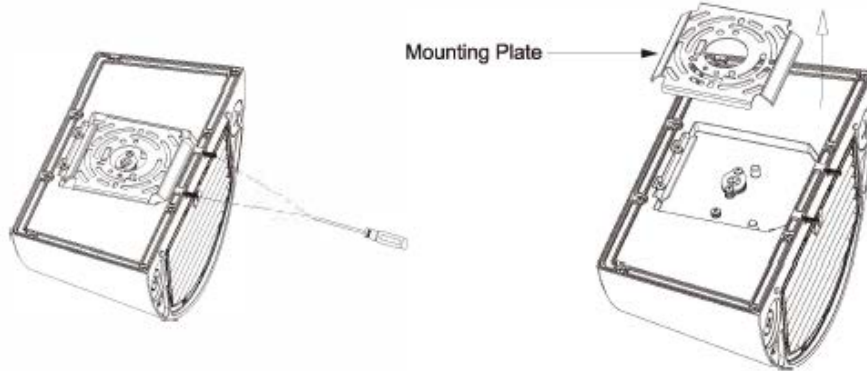
SZ-EMXXW-Y-WP (02)
Emergency Driver

Packing/Weight:

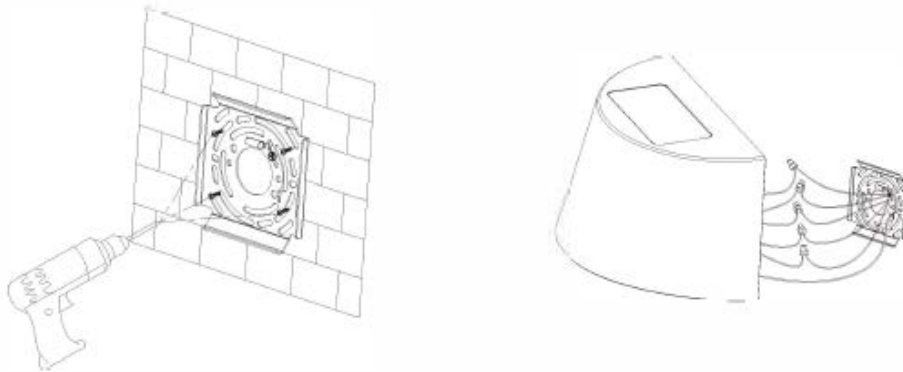
| Model | Outer box (L*W*H) | Qty/CTN (pcs) | N.W./pcs (lbs/kg) | G.W./CTN (lbs/kg) | Remark |
|----------------|----------------------------------|---------------|-------------------|-------------------|--------|
| SZ-RSWP80W-ACP | 13.39*7.68*7.6" 340*195*193mm | 1 | 6.07/2.76 | 7.06/3.21 | |
| SZ-QSWP80W-ACP | 13.39*7.68*7.6" 340*195*193mm | 1 | 5.39/2.45 | 6.47/2.94 | |

Installation:

1. Use a hex screwdriver to loosen the two securing screws, then remove the mounting plate.



2. Fix the mounting plate to the wall at the desired position using screw. Connect the corresponding terminals according to the wiring diagram. Connect Line, Neutral and Ground wires properly.



3. Put the product onto the mounting plate, tighten the securing screws. Apply weatherproof silicone sealant between the wall and fixture housing to ensure a weatherproof installation. After the product is installed, as shown in the following figure, remove the two drain hole plugs to prevent internal water accumulation.

