



# External Buffer Vessels

500 - 2000L

- Mild steel construction
- 7 bar maximum working pressure
- 90°C maximum temperature
- 5x ½" sensor points
- 1½" connection for immersion heater
- Large screwed connections ideal for heat pumps
- Suitable for outdoor installation

Efficient storage of water using heat pumps, for heating or cooling.

### Insulation

High thermal insulation with ecological polyurethane hard foam. Galvanised and painted metallic cover.



### In Stock

Available in 5-7 working days

### Made to Order

Available in 5-6 weeks

5

5 Year Tank Warranty\*

Model	Volume litres	Energy Efficiency Class	Code
-------	---------------	-------------------------	------

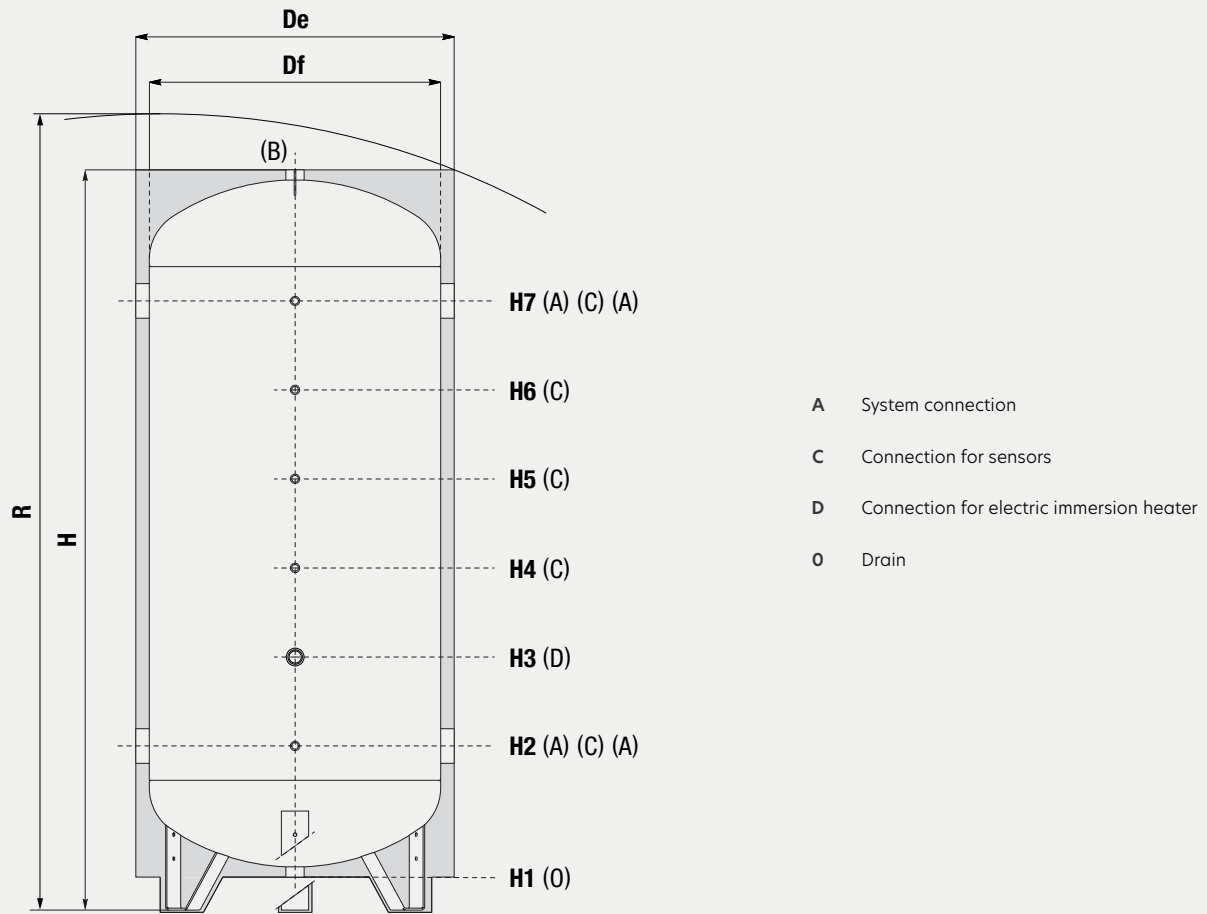
### Galvanised and painted metallic cover

(Maximum working pressure: 7 bar)

500	501	C	EBV-500
800	788	C	EBV-800
1000	1034	C	EBV-1000
1500	1432	C	EBV-1500
2000	1970	C	EBV-2000

# Dimensions

Galvanised and painted metallic cover



Model	Volume litres	Weight kg	De	Df	R	H	H1	H2	H3	H4	
							mm				
500	501	101	752	650	1945	1796	80	404	614	824	
800	788	147	850	750	2270	2102	80	430	690	950	
1000	1034	170	950	850	2370	2188	80	503	755	1007	
1500	1432	183	1100	950	2615	2368	100	471	771	1081	
2000	1970	219	1300	1100	2770	2438	100	506	806	1116	

Model	Volume litres	Weight kg	H5	H6	H7	B / O	A	C	D
						Female Connections			
500	501	101	1034	1244	1454	1 ¼"	3"	½"	1 ½"
800	788	147	1210	1470	1730	1 ¼"	3"	½"	1 ½"
1000	1034	170	1259	1511	1763	1 ½"	4"	½"	1 ½"
1500	1432	183	1381	1681	1981	2"	4"	½"	1 ½"
2000	1970	219	1416	1716	2016	2"	4"	½"	1 ½"

**Modutherm Limited**  
**Unit 4 Genesis**  
**Endeavour Drive**  
**Basildon, SS14 3WF**

**modutherm.co.uk**  
Tel: 0345 521 5666  
modutherm@modularhg.co.uk

Your local contact is:

