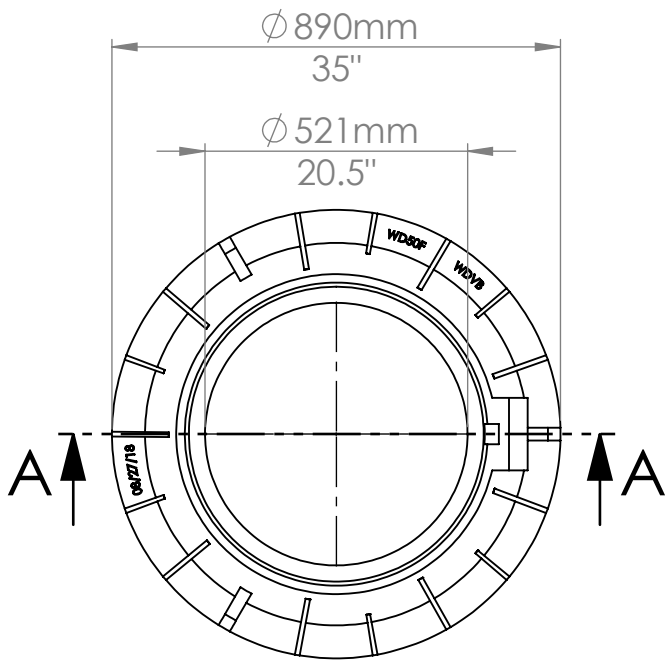
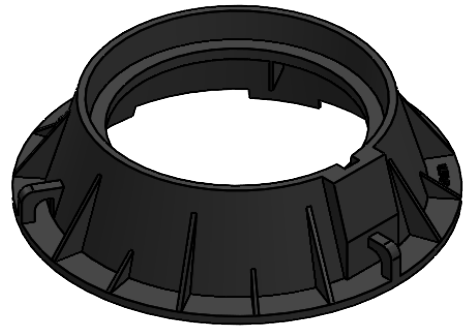


MATERIAL:

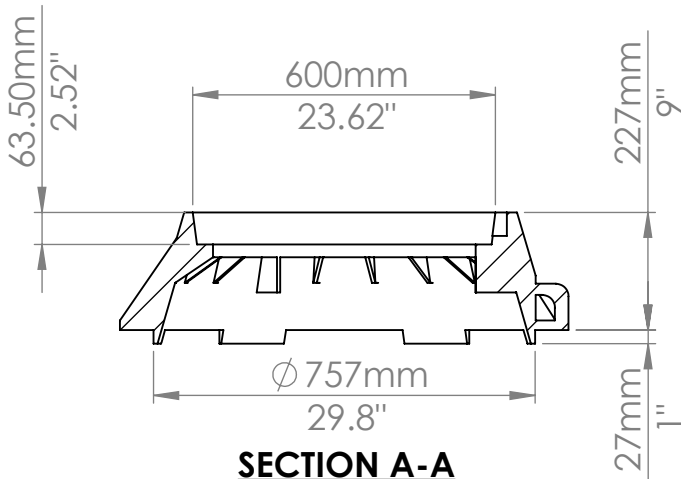
GRAY CAST IRON TO ASTM A48
CLASS 30B



TOP VIEW




ISOMETRIC VIEW



SECTION A-A
SCALE 1 : 15

NOTE:

- 1) CONFORMS TO CITY OF WINNIPEG AP-006.
- 2) WEIGHT 103kgs. (227 lbs.)

				NAME	DATE			
			DRAWN	AS	MAR-24-26			
			CHECKED					
			DIMENSIONS ARE IN INCHES TOLERANCES: FRACTIONAL: ± ANGULAR: MACH ± BEND ± TWO PLACE DECIMAL ± THREE PLACE DECIMAL ±			SIZE	DWG. NO.	REV.
	DO NOT SCALE DRAWING					A	WD50F	
	Description		SCALE: 1:15	SHEET 1 OF 1				