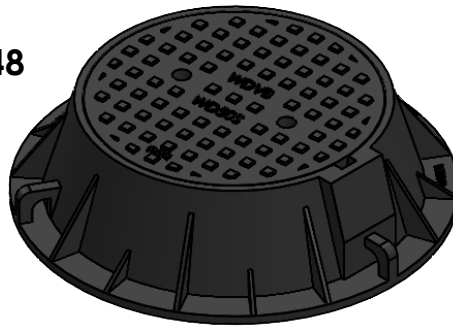
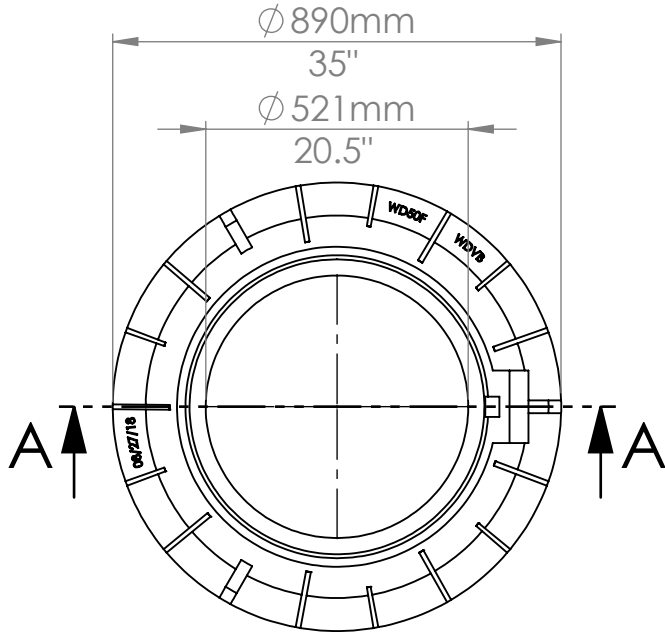


MATERIAL:

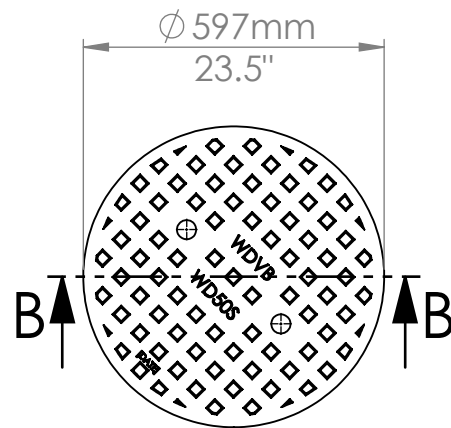
**GRAY CAST IRON TO ASTM A48
CLASS 30B**



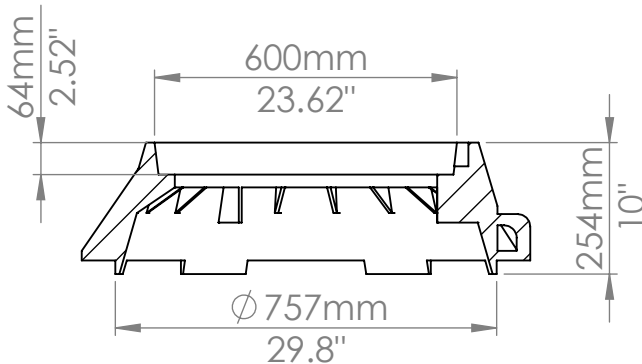
ISOMETRIC VIEW



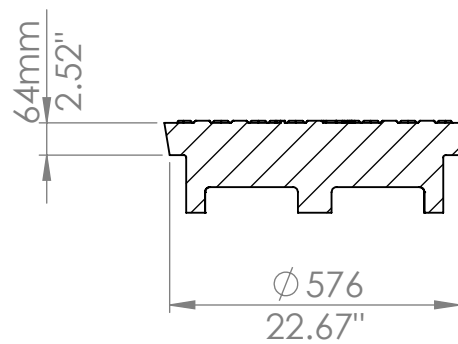
TOP VIEW




TOP VIEW



SECTION A-A
SCALE 1 : 15



SECTION B-B
SCALE 1 : 15

				NAME	DATE			
			DRAWN	AS	MAR-24-26			
			CHECKED					
			DIMENSIONS ARE IN INCHES TOLERANCES: FRACTIONAL: ± ANGULAR: MACH ± BEND ± TWO PLACE DECIMAL ± THREE PLACE DECIMAL ±					
DO NOT SCALE DRAWING						SIZE	DWG. NO.	REV.
Description			SCALE: 1:15	SHEET 1 OF 1		A	WD50S ASSEMBLY	