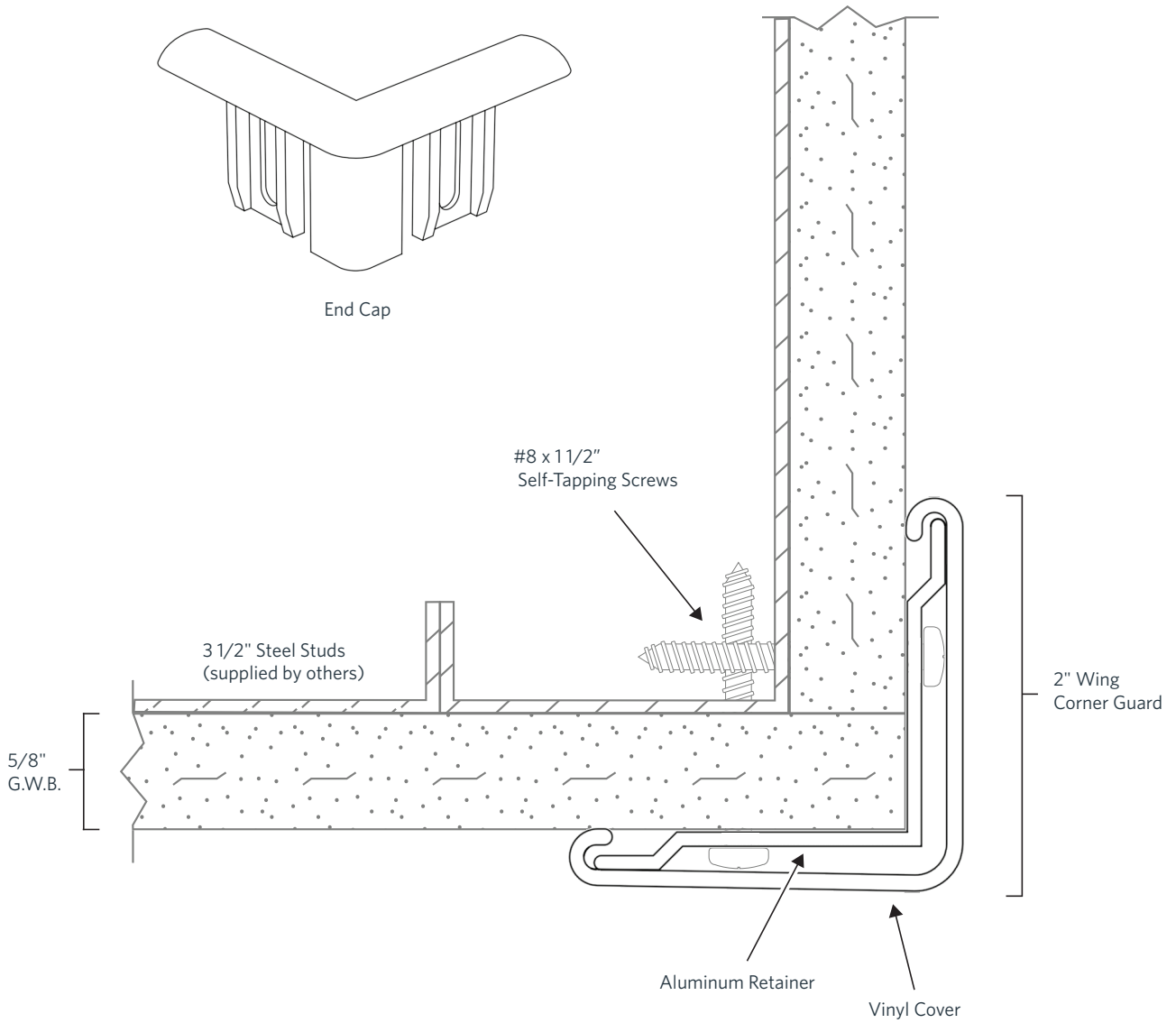
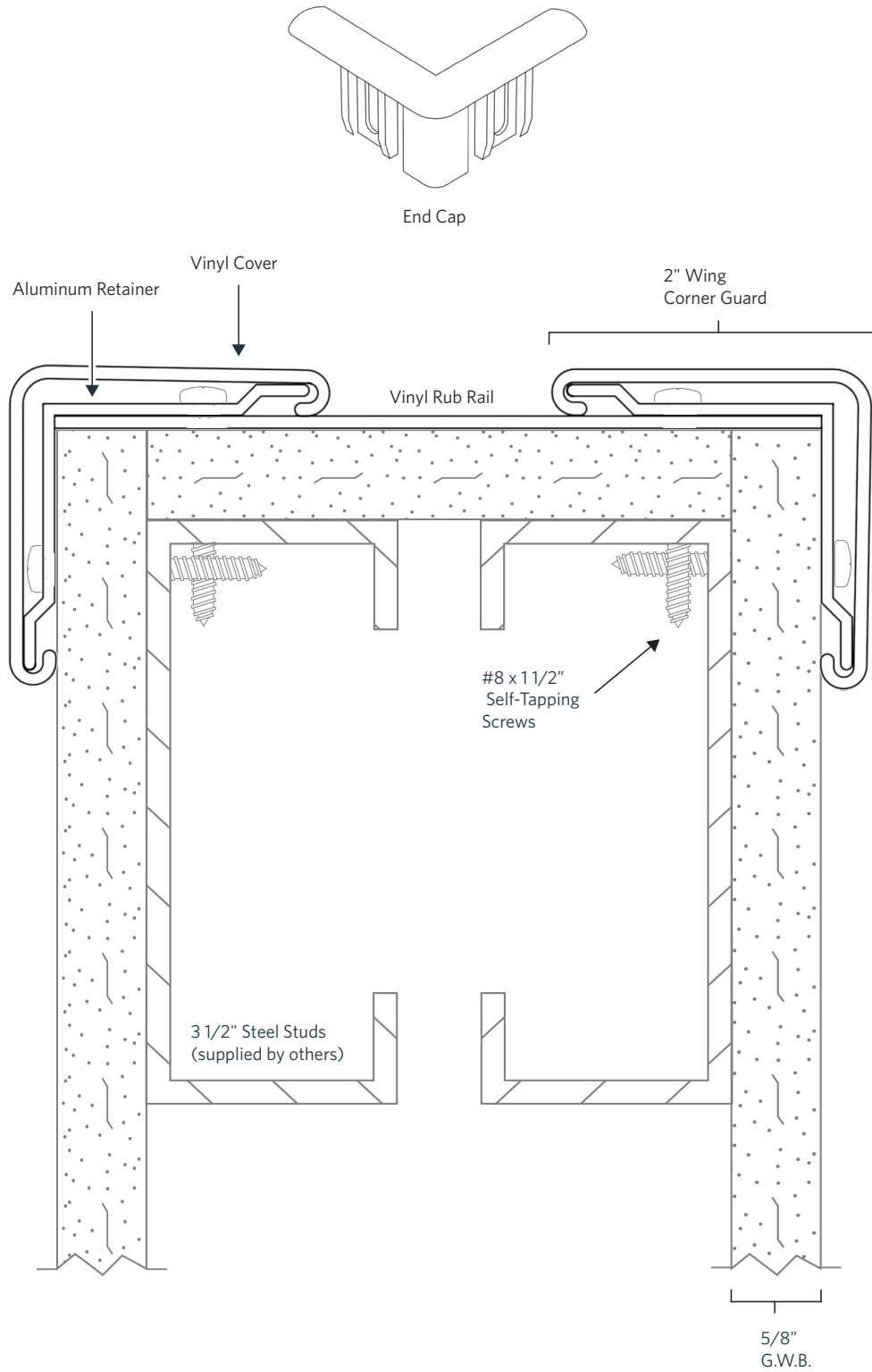


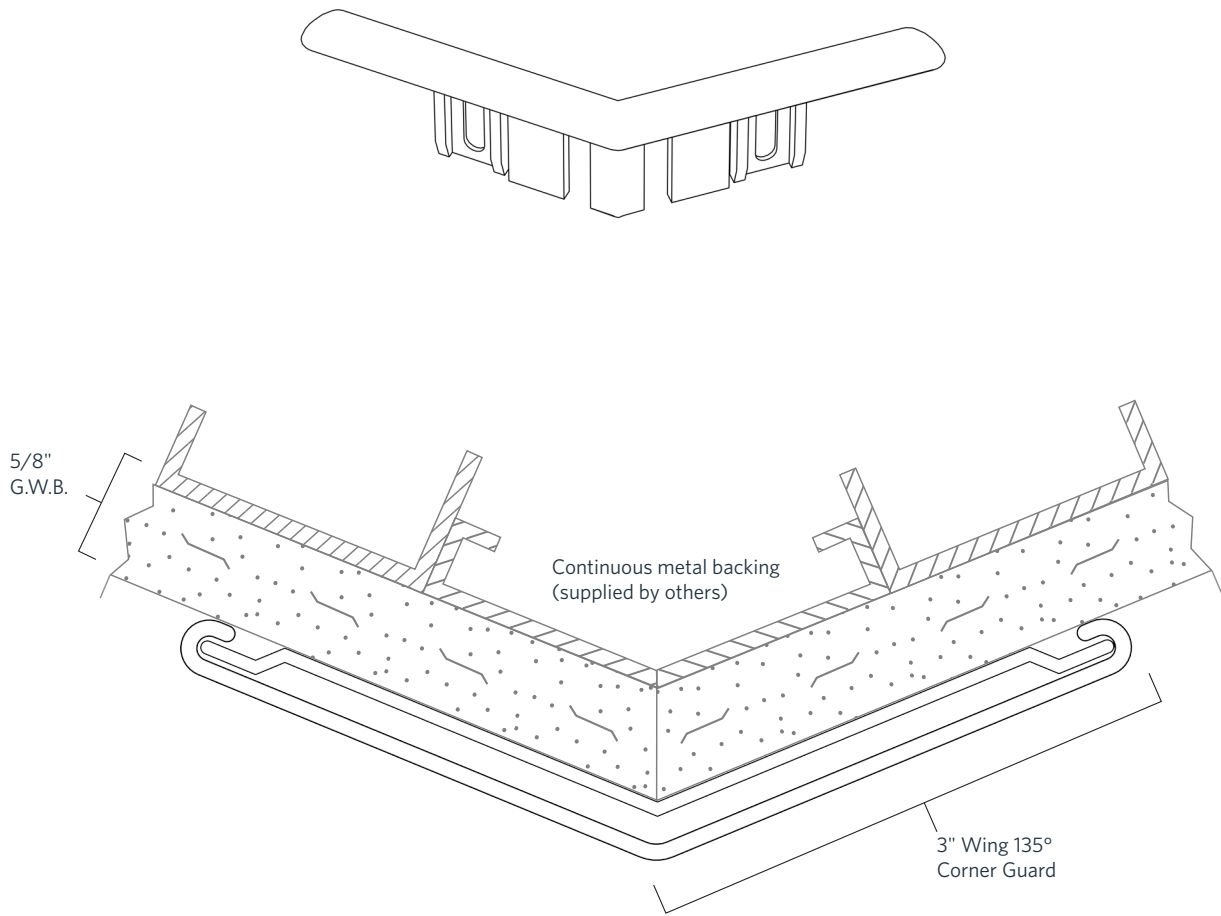
# ▶ 2" Surface Mount Retainer Corner Guards



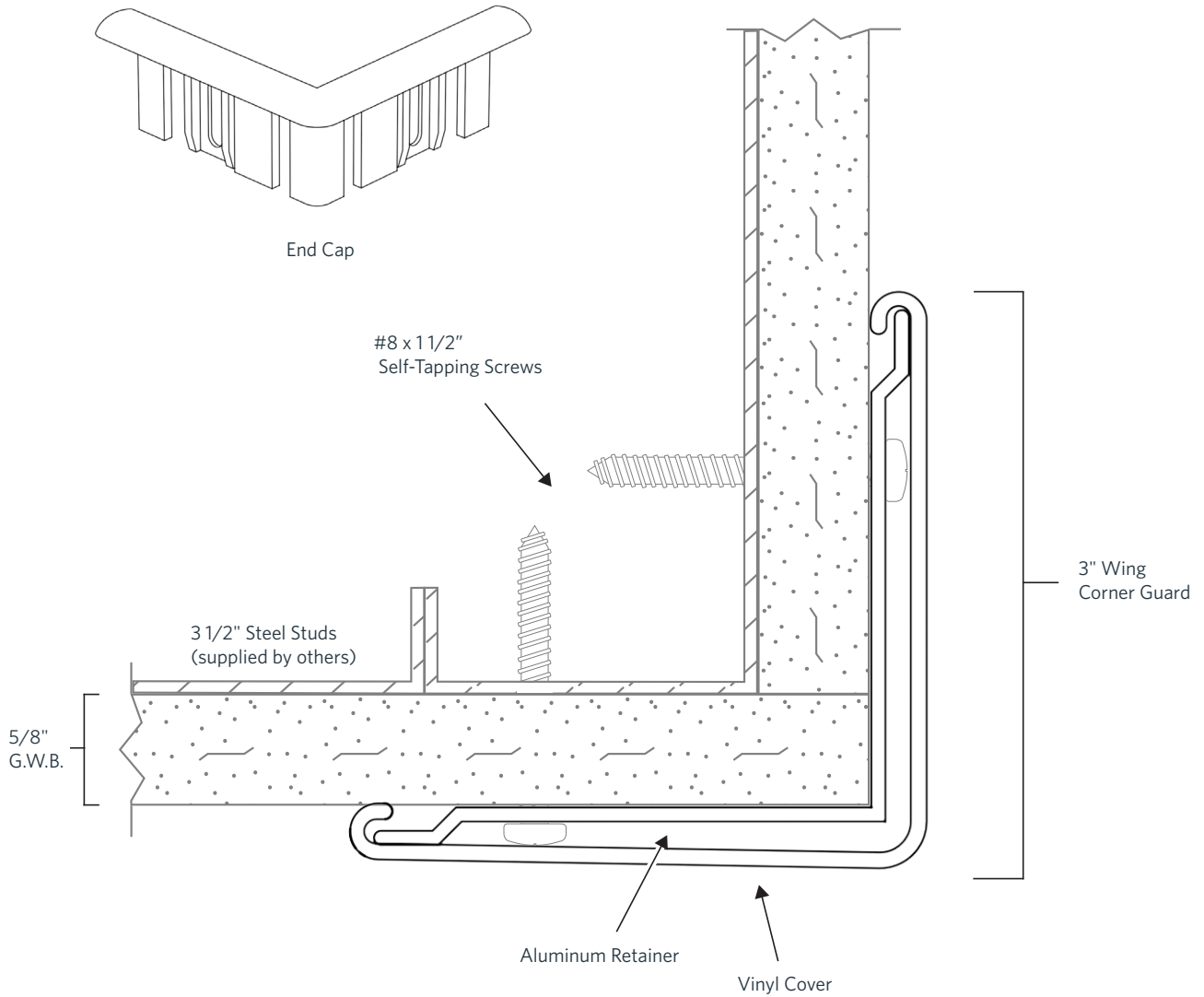
# ▶ 2" Surface Mount Retainer End Guards



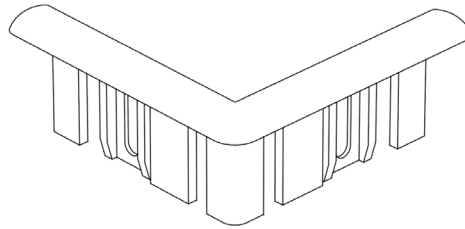
▶ 3" 135° Surface Mount Retainer Corner Guards



# ▶ 3" Surface Mount Retainer Corner Guards



# ▶ 3" Surface Mount Retainer End Guards



End Cap

