

PAI MONTHLY NEWSLETTER - FEBRUARY 2026 EDITION

STAY CURRENT



World Tested. Performance Proven.

FEBRUARY 2026



STAY CURRENT

WORLD TESTED. PERFORMANCE PROVEN.

Table of Contents

Price Reduced	3
Featured Item	4-5
Drive Train Components	6
Engine Components	7-10
New Engine Kits	11
Additional New Items	12



STAY CURRENT

ISO:9001 CERTIFIED

Price Reduced

PAI Reference	OEM Reference	Description
JUJ-6973	MAK 2104-SPL90X	U-Joint
BBG-7928	MAK 61KH438	Gear
ECM-8999	MAK 454GC5227C	Camshaft
EF36790	FUL K-2424	Valve Kit
EF67980	FUL 5556503	Bearing
060087	CUM 4089996	Cover Assembly
131481	CUM 3918673	Gear Gasket
131883	CUM 3802242	Upper Gasket Kit
141456	CUM 4352360	EGR Cooler Kit
171703	CUM 3029341	Crankshaft
171723	CUM 3801263	Bearing Kit
321211	CAT 4L8337	O-Ring
370261	CAT 2821771	Main Bearing
681812	DDC 23526039	Water Pump Assy.
700004	PAC 1924761	Valve Cover Gasket
831042	MAK 8131393	Fastener Cage
880849	MAK 23185531	Doser Module
891935	MAK 22431882	Camshaft Kit
940199	ROK KITRPL2520	Hardware Kit
MV1303-001	MAK 85138502	Engine Kit
MV1303E-001	MAK 85138502	Engine Kit
MV1304-001	N/A	Engine Kit



STAY CURRENT

WORLD TESTED. PERFORMANCE PROVEN.

Featured Item: Mack Mainshaft Gear (1st & 6th)

PAI's Mainshaft Gears are thoroughly tested to ensure optimum fit and performance on specific vehicle applications. This replacement Mainshaft Gear (806777) fits Mack T310M/ T313L/T318L Transmission Applications, replaces OEM 20486222.



PAI Reference	OEM Reference
806777 / 806777E*	MAK 751KB4164
Material: Alloy Steel	Tooth Count (Outer): 45
Outer Diameter: 8.28in	Spline Tooth Count (Inner): 35
Description: Mainshaft Gear (1st & 6th)	
Application: T310M / T313L / T318L Transmissions	

Material: Alloy Steel

Gear Tooth Count (Outer): 45
Gear Tooth Count (Inner): 35

**Mack T310M /T313L /T318L
Transmission Application**

**Direct Replacement for
Mack T310M /T313L/ T318L
751KB4164**

**Ensures Optimum Fit
and Performance**

OEM Recommended Specs

2 Year Warranty

World Tested. Performance Proven.
www.pai.com

ORDER NOW



**Excel Parts - 1 Year Warranty*

Call 800-654-3721 or visit www.pai.com for additional Engine Components.

Use of other manufacturers' names, part numbers or trademarks are for informational and identification purposes only. [Scan QR for ESN Requirements >>](#)





STAY CURRENT

WORLD TESTED. PERFORMANCE PROVEN.

Featured Item: Detroit Diesel Series 53 Water Pump Assembly

PAI's Water Pump Assemblies are thoroughly tested to ensure optimum fit and performance on specific vehicle applications. This replacement Water Pump Assembly (681800) fits Detroit Diesel Series 53 Engine applications, replaces OEM 23506003.



GASKET INCLUDED*

Gasket Included

**Detroit Diesel Series 53
Engine Application**

**Direct Replacement for
Detroit Diesel Series 53
23506003**

**Ensures Optimum Fit
and Performance**

OEM Recommended Specs

2 Year Warranty

PAI Reference	OEM Reference
681800	DDC 23506003
Material: Cast Iron	
Description: Water Pump Assembly, Left Hand w/ 2 Belt Pulley	
Application: Detroit Diesel Series 53	
Gasket Included	

ORDER NOW



World Tested. Performance Proven.
www.pai.com



Call 800-654-3721 or visit www.pai.com for additional Engine Components.

Use of other manufacturers' names, part numbers or trademarks are for informational and identification purposes only. [Scan QR for ESN Requirements >>](#)





STAY CURRENT

WORLD TESTED. PERFORMANCE PROVEN.



PAI Reference	OEM Reference	Order
920156	EAT 509423	
Description: Gear Set		
Application: DS344/404/405/454		
2.93 Ratio 14 & 41 Teeth		

PAI Reference	OEM Reference	Order
920153	EAT 513386	
Description: Gear Set		
Application: DS/DA/DD 344,404,405,454		
3.08 Ratio 12 & 37 Teeth		



PAI Reference	OEM Reference	Order
900170HP	FUL K-3420	
Description: Gear Update Kit		
Application: Fuller 15210, 16210		

Air & Electrical

Cab & Chassis

Drivetrain

Engine

Sensors



STAY CURRENT

ISO:9001 CERTIFIED



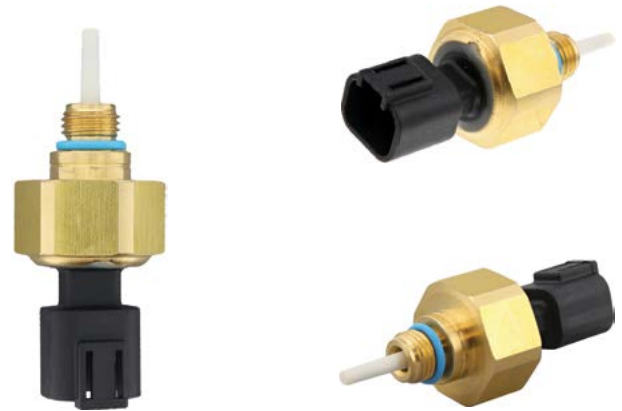
PAI Reference	OEM Reference	Order
381207E	CAT 1965951	
Description: Turbocharger		
Application: Caterpillar C15,C16 & 3406E		



PAI Reference	OEM Reference	Order
390094EX	CAT 10R9237	
Description: Fuel Injector Assembly(Reman)		
Application: Caterpillar 3126		



PAI Reference	OEM Reference	Order
131253	CUM 4032599	
Description: Turbocharger Gasket Kit		
Application: Cummins ISX X15		
Used w/ Holset HE400VG Turbochargers		



PAI Reference	OEM Reference	Order
050669E	CUM 4921473	
Description: Ambient Air Temperature Sensor		
Application: Cummins Multiple		
M14 x 1.5 Thread 3.36in OAL Includes O-Ring 4 Pin Conn.		

Air & Electrical
Cab & Chassis
Drivetrain
Engine
Sensors



STAY CURRENT

WORLD TESTED. PERFORMANCE PROVEN.

Air & Electrical

Cab & Chassis

Drivetrain

Engine

Sensors



PAI Reference	OEM Reference	Order
641317OEM	DDC 23538932	
Description: EGR Valve		
Application: Detroit Diesel Series 60		
4 Pin Male Connector		



PAI Reference	OEM Reference	Order
680331E	DDC A4722001670	
Description: Belt Tensioner		
Application: Detroit Diesel DD13 & DD15		
10 Groove		



PAI Reference	OEM Reference	Order
641335	DDC A4731400575	
Description: EGR Cooler		
Application: Detroit Diesel DD13, DD15 & DD16		



PAI Reference	OEM Reference	Order
609901EX	DDC R5237466	
Description: Reman Fuel Injector Assembly		
Application: Detroit Diesel Series 60		



STAY CURRENT

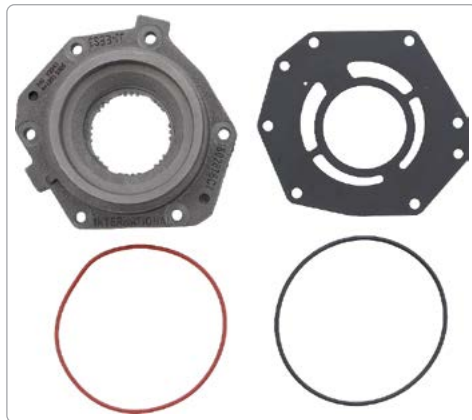
ISO:9001 CERTIFIED



PAI Reference	OEM Reference	Order
441423	NAV 1876262C98	
Description: EGR Kit(Cold Side)(Intake Side)		
Application: International MAXXFORCE		



PAI Reference	OEM Reference	Order
805078	N/A	
Description: Exhaust Manifold Kit		
Application: Mack E7 ASET w/o EGR		
Includes:		
Manifolds (2)EEX-2056 (104GC5203M)		
(1)805066OEM (104GC5215AM)		
Nuts (12)ENU-0411 (573GB257A)		
(4)ENU-0406 (142GC247M)		
Gaskets (6)EGK-3934 (573GB257A)		
(1)831014 (590GB49) (1)EGK-3867 (590GB2109A)		
Studs (12)EST-0421 (616GC245M3)		
(4)EM04170 (616GC228M)		
Washers (4)EWA-0337 (271AM5009)		
O-Ring (1)EF30150 (14765)		



PAI Reference	OEM Reference	Order
441201E	NAV 1808832C92	
Description: Oil Pump Kit		
Application: International Early to 1993 DT466		
Engine Serial #466776 and Up Will use 436005 Front Cover Seal)(Sold Separately)		

Sensors Engine Drivetrain Cab & Chassis Air & Electrical



STAY CURRENT

WORLD TESTED. PERFORMANCE PROVEN.

Air & Electrical
Cab & Chassis
Drivetrain
Engine
Sensors



PAI Reference	OEM Reference	Order
880884	MAK 22696301	
Description: Idler Pulley		
Application: Mack MP8 / D13		
10 Grooves		



PAI Reference	OEM Reference	Order
891946	MAK 736GB421M2	
Description: Fuel Injector Assembly		
Application: Mack ASET		
(Will use 3425 Injector O-Ring Kit)(Sold Separately)		



PAI Reference	OEM Reference	Order
880827	VOL 20440372	
Description: Fuel Pump Kit		
Application: Volvo D12 / D12A / FH & FM		
Short Shaft		



PAI Reference	OEM Reference	Order
801158	VOL 24152057	
Description: Water Pump Kit		
Application: Mack MP8 Volvo D13		
Variable Speed w/ 2 Pin Connector		



STAY CURRENT

ISO:9001 CERTIFIED

New Engine Kits Available

OEM REFERENCE	PAI REFERENCE	APPLICATION
N/A	ISB634-176	Cummins ISB
CUM 6429518	ISX118E-145	Cummins ISX



STAY CURRENT

WORLD TESTED. PERFORMANCE PROVEN.

Additional New Items

PAI Reference	OEM Reference	Description	PAI Reference	OEM Reference	Description
050564OEM	CUM 4952760	Threaded Plug	650715	DDC A6805402117	Temperature Sensor
050632E	CUM 5297640	Pressure Sensor	730432E	PBT N5346001	Coolant Tank
050673E	CUM 4903489	Level Sensor	802643	BEN 800375	Check Valve
050721OEM	CUM 4307496	Ammonia Sensor	808059OEM	MAK 36MX36M	Air Cylinder
050737E	CUM 4384138	EGR Sensor	853700	MAK 21412472	Temperature Sensor
050750E	CUM 4383933	Level Sensor	853705OEM	MAK 64MT2111M	Dual Sensor
050769	CUM 2894946	NOX Sensor	853710E	MAK 64MT2101	Oil Pressure Sensor
050772	CUM 2894944	NOX Sensor	853721E	VOL 21225020	Temperature Sensor
050781	CUM 4326861	NOX Sensor	853722	VOL 23539939	Level Sensor
131740OEM	CUM 3935587	Cyl. Head Gasket	853728OEM	VOL 22073233	Temperature Sensor
172004	CUM 5633631	Main Bearing Kit	853756	MAK 20909613	Pressure Sensor
321494	CAT 6V7703	O-Ring	853759	MAK 22303384	NOX Sensor
331760	CAT 3164810	Cyl. Head Gasket Kit	853760E	MAK 22014032	NOX Sensor
351526	CAT 1304698	Idler Bushing	853764	MAK 22172068	EGR Sensor
631210	DDC A9340160580	Valve Cover Gasket	854020	MAK 64MT387	Temperature Sensor
631432	DDC A4710140422	Oil Pan Gasket	854021	VOL 21285163	Temperature Sensor
631438	DDC A4730140122	Oil Pan Gasket	854022	VOL 21673931	Temperature Sensor
642000	DDC A4721860095	Stand Pipe	854023	MAK 21164414	Temperature Sensor
650622	DDC A0091530628	NOX Sensor	854034	MAK 23713681	Pressure Sensor
650624	DDC A0081531228	NOX Sensor	900316	FUL 15976	Washer
650625E	DDC A0101531928	NOX Sensor			
650627	DDC A0111531628	NOX Sensor			
650628	DDC A0101531828	NOX Sensor			
650629	DDC A0101536928	NOX Sensor			
650653	DDC A0111532928	Pressure Sensor			
650659	DDC A0081534828	Pressure Sensor			
650659E	DDC A0081534828	Pressure Sensor			
650669E	DDC A4721530928	DPF Sensor			
650699	DDC A0145426917	Speed Sensor			
650674OEM	DDC A0061535528	Position Sensor			
650677	DDC 23535804	Position Sensor			
650677OEM	DDC 23535804	Position Sensor			