



WSU-900S, WSU-900BS // 90cm // SILENT



// WSU-900BS (90cm)

3YR
LIMITED
WARRANTY



The WSU-900S and WSU-900BS silent undermount rangehoods combine sleek black or stainless steel finishes with whisper-quiet Ecodrive® motor technology. At 900mm wide, they offer greater coverage, with single-speed operation, dual LED lights, and lifetime-warrantied filters. Flexible motor options include external or inline systems, tailored to your installation needs.

PRODUCT DESCRIPTION ECODRIVE OPTIONS

- Black or stainless steel finish
- Silent Ecodrive® motor system
- Simple wall switch operation (wall switch is not provided)
- 1 x speed level
- 2 x LED lights with a lifetime warranty
- Dishwasher safe filters lifetime warranty
- 3 Year Warranty on Canopy and Motor

- **ET** single external motor
 - 850 m³/h airflow
 - 200mm Steelflex™ ducting (4m)
 - install roof/wall
- **IL750** single inline motor
 - 750 m³/h airflow
 - 150mm Flexi-Duct (6m)
 - install roof or floor cavity
- **IL1000** single inline motor
 - 1000 m³/h airflow
 - 200mm Flexi-Duct (6m)
 - install roof or floor cavity

TECHNICAL DATA

- WSU-900S, WSU-900BS**
- Dimensions: (W x D)
900mm x 295mm

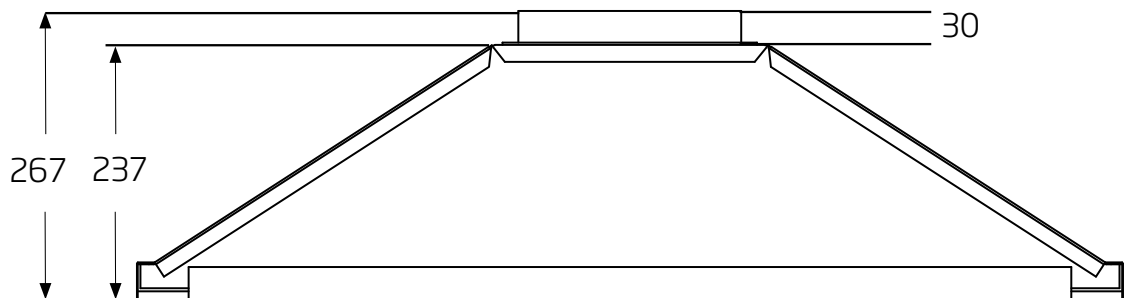
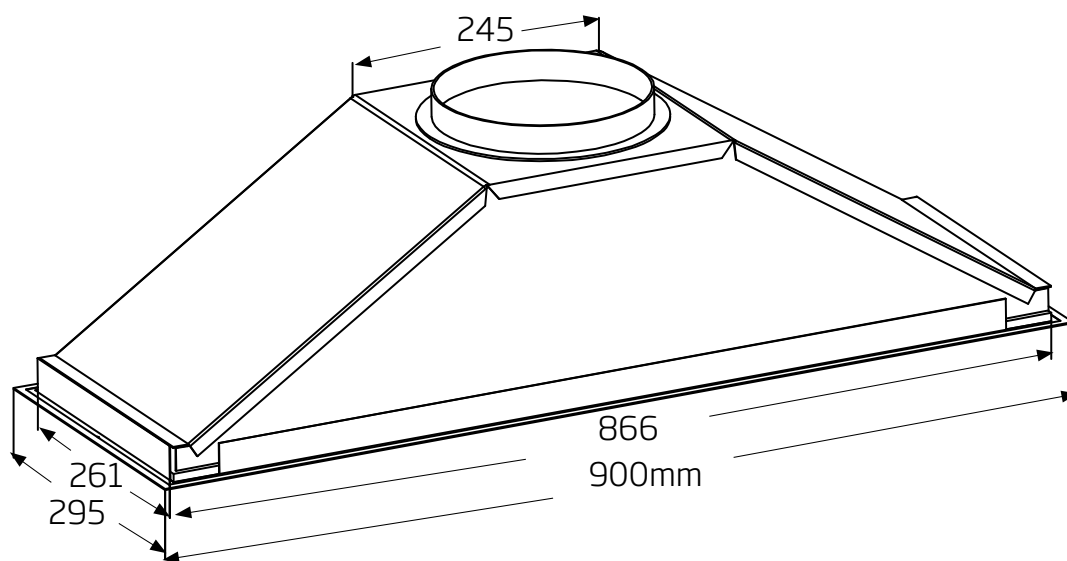
* Note: 2 gang wall switch is not provided



// WSU-900BS (90cm)



WSU-900S, WSU-900BS // 90cm // SILENT



* Note: 2 gang wall switch is not provided

Model: WSU-900S, WSU-900BS

Feeding Voltage: 220-240V 50Hz

Max Lamp Power: 2 x 3W