

INSTALLATION GUIDE

# Isodrive STINL

Scan for the latest  
digital manual



Under our policy of continuous product development,  
product specifications may change without notice.  
Please refer to the online version of the manual for the  
latest updates and specifications.

**schweigen**

[www.schweigen.com.au](http://www.schweigen.com.au)  
[www.schweigen.co.nz](http://www.schweigen.co.nz)

# 1. Welcome

## **Thank you for purchasing your new Schweigen Isodrive Inline Motor System.**

To get the maximum output from this unit, please read through this operating guide before installation and use.

The operating guide contains important information on the correct use and maintenance of the unit, as well as important safety notes. This will ensure your personal safety and the lasting value of your motor system.

Please always retain your proof of purchase to aid in any warranty queries.

This appliance and its packaging are produced by processes that minimise waste and respect the environment.

Please help us to continue this effort to protect the environment by using the appliance efficiently and dispose of the packaging in a responsible manner.

<b>1. Welcome</b>	2
<b>2. Your Safety</b>	
Before Installation	4
Electrical Cord	4
Isodrive STINL Motor Features	5
General Notes on Installation and Use	5
Recommended Installation Distance	5
Avoidance of Back Flow	6
Replacement of Supply Cord	6
Why Schweigen SteelFlex™ Safety Duct	6
<b>3. Description</b>	
Isodrive STINL	7
<b>4. Dimensions</b>	
Isodrive STINL Motor	8
High-flow Wall Vent	9
<b>5. Installation</b>	
Inline Motor System Installation	10
Options for Mounting the Vents	11
<b>6. Back Draft Shutter System</b>	
Inline Backdraft Shutter	12
<b>7. SteelFlex™ Safety Duct</b>	
SteelFlex™ Safety Ducting	13
Shallow Roof Space	14
<b>8. Warranty / Disclaimer</b>	15

## 2. Your Safety



### WARNING

Please read this section thoroughly before attempting to operate the appliance. Inspect your product upon receipt. Any damage or defects **MUST** be reported within **48** hours, or no claim will be recognised.

#### **DO NOT INSTALL THIS APPLIANCE IF YOU FIND IT DAMAGED.**

If this product is installed damaged, the supplier, nor the retailer, will be responsible for the costs associated with the repair, replacement, removal or re-installation of the appliance.

1. This appliance is not intended for use by person/s (including children) with reduced physical, sensory or mental capabilities, or lack of experience and/or knowledge, unless the person has been given supervision or instruction concerning the use of the appliance by a person responsible for their safety. Children should be supervised to ensure that they do not play with the appliance, it is not a toy.
2. Air exhaust must be installed in accordance with local laws.
3. In order to avoid a hazard due to inadvertent resetting of the thermal cut-out, this appliance must not be supplied through an external switching device, such as a timer, or connected to a circuit that is regularly switched on and off by the utility.
4. precautions must be taken to avoid the back-flow of gases into the room from the open flue of gas or other fuel-burning appliances.

### Before Installation

We recommend this appliance to be installed or repaired by an experienced Home Appliances technician.

Please see our website [www.schweigen.com.au](http://www.schweigen.com.au) | [www.schweigen.co.nz](http://www.schweigen.co.nz) for experienced installers.

It is dangerous to modify any part of this appliance. Modification of any kind will immediately void the warranty.

The manufacturer declines all responsibility in case of failure to adopt proper safety measures.

Ensure that the location in which this appliance is installed has good and permanent ventilation.

Please consult local laws and regulations and install in accordance.

Use an electrical connector with earth that is correct for your location.

Check that the voltage in your area corresponds to the appliance as indicated on the rating label.

### Electrical Cord

Ensure the supply cord is not exposed to heat, chemicals or sharp objects. If the supply cord is damaged, it must be replaced by the manufacturer, service agent or a similarly qualified person in order to avoid a hazard.

### Isodrive® STINL Motor Features

- Vertical or horizontal mounting with IPX4 degree of weather protection.
- **Super quiet**, long vane, backward curved, German-made centrifugal fan.
- Airflow is dependant on installation and the ducting used. The motor has the equivalent performance of a 2000 m<sup>3</sup>/h internal motor rangehood when ducted out to the atmosphere. The result is based on the German DIN and European EN IEC 61591:2020+A11 testing criteria for rangehood performance and is focus on the removal of contaminants from the kitchen to the external atmosphere. **The use of a smaller than 200mm ducting would result in a loss of airflow.**
- Industrial quality motor and fan made in Germany and rated at 40,000 hours.
- Motor is a high efficiency PSC type and rated at 155W, costing around the same as two 70W light globes to run.
- **WARRANTY 10 YEARS.** Covers faulty manufacturing or components. It does not cover normal wear and tear, chemical or storm damage, etc. (see warranty card for more information).

### General Notes on Installation and Use

This Inline motor is designed for horizontal mounting.

This fan is suitable for connection to multiple duct runs with a minimum inlet area of 22,000 mm<sup>2</sup>. Ducting runs should be more than 3 metres away from the unit and no more than 8 metres (check with supplier if longer duct length is required). SteelFlex™ ducting must be extended sufficiently to present a smooth air passage with bends of at least the radius of twice the diameter of the duct. **Excessive bends in the ducting will compromise extraction.**

**WARNING:** The exhaust fan must not be ducted into a wall cavity or a ceiling space, where a build up of grease can occur and become a potential fire risk. This will void your warranty.

**NOTE:** Fan module and Steelflex™ duct are acoustically matched. Use of semi-rigid or rigid ducting will result in increased noise and may void warranty. See installation instruction notes 'Why Schweigen SteelFlex™ Safety Duct'.

### Recommended Installation Distance

For the motor system, using 200mm ducting, **4-6 metres** is recommended from rangehood to motor.

**NOTE:** Installation closer than these distances will increase extraction power and result in higher noise levels. Check with supplier if longer length is required. Do not reduce the duct size at any time and **avoid sharp bends.**

## 2. Your Safety

### Avoidance of Back Flow

Exhaust fans may adversely affect the safe operation of appliances burning gas or other fuels (including those in other rooms) due to back flow of combustion gases. These gases can potentially result in carbon monoxide poisoning. After installation of an exhaust fan such as a partition fan or a duct fan, the operation of open flued gas appliances should be tested by a competent person to ensure that back flow of combustion gases does not occur.

### Replacement of Supply Cord

If the supply cord is damaged, it must be replaced by a service agent or qualified person in order to avoid a hazard.

### Why Schweigen SteelFlex™ Safety Duct

**Schweigen SteelFlex™ is an ultra-strong and flexible high-performance safety ducting made of Shirikon Firemesh® - a tri-layer tear-resistant UV-treated sleeve. Both are developed by Schweigen - the Silent Rangehood specialists, for quiet and efficient high-volume transfers of temperature-sensitive air. Engineered to enhance the health and safety of your home, Schweigen SteelFlex™ is antimicrobial treated, thermally insulated and acoustically dampened. It is fireproof, pest and crush proof with a treated surface that prevents the build-up of grease and bacteria.**

Schweigen's unique Isodrive system works in the opposite way to conventional rangehoods, pulling air through the hood and acoustically matched ducting, producing almost silent high volume flow. The use of a complete rigid or semi-rigid ducting system will allow an organ piping effect to occur; like a didgeridoo where a noise is produced at one end of a hollow rigid pipe and amplified out the other.

The Isodrive system places the noise outside the house.

**WARNING:** Installation without the use of at least the minimum recommended length of acoustically matched SteelFlex™ in the system will void performance expectations. Any installation problem must be reported to Schweigen. Call outs relating to incorrect installation will result in a service fee direct to the customer. Schweigen takes no responsibility for problems caused by faulty installation, this may void warranty. An experienced installer list can be obtained from Schweigen website [www.schweigen.com.au](http://www.schweigen.com.au) | [www.schweigen.co.nz](http://www.schweigen.co.nz) or by calling **AU: 1300 881 693 | NZ: 0800 259 644.**



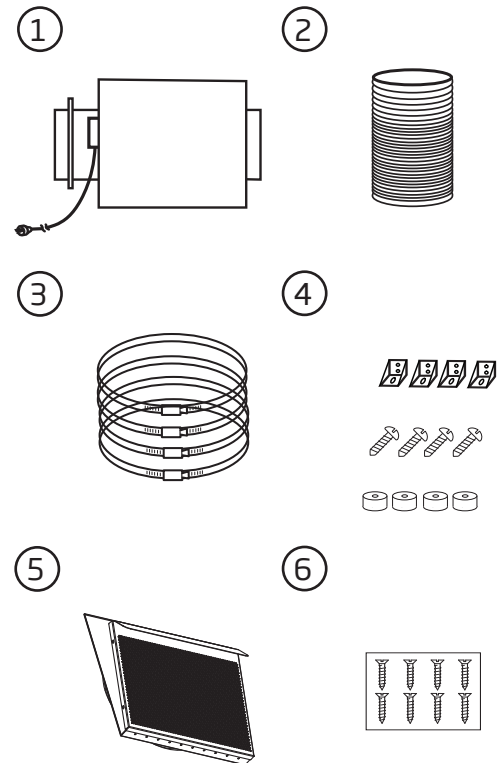
#### NOTE

For more SteelFlex™ ducting instructions, refer to page 11.

### Isodrive STINL

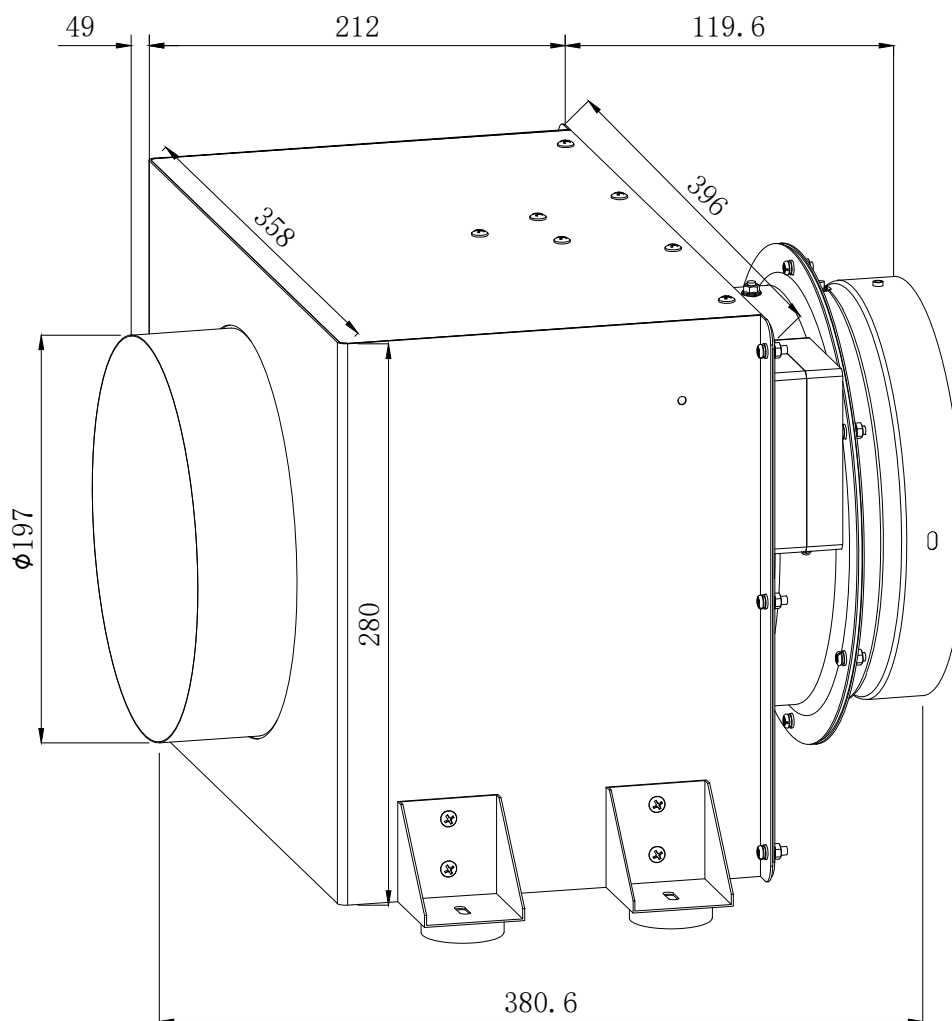
#### Included in the box:

1. Isodrive inline motor  
10amp cable and standard plug
2. SteelFlex™ safety ducting. Approx. 6 metres,  
200mm (220mm outside dimension) diameter
3. 4 x 200mm Steel ring clamps
4. Mounting bracket, rubber pad and screw pack
5. High-flow wall vent
6. Self-drilling screw pack (for connecting SteelFlex™ ducting)



## 4. Dimensions

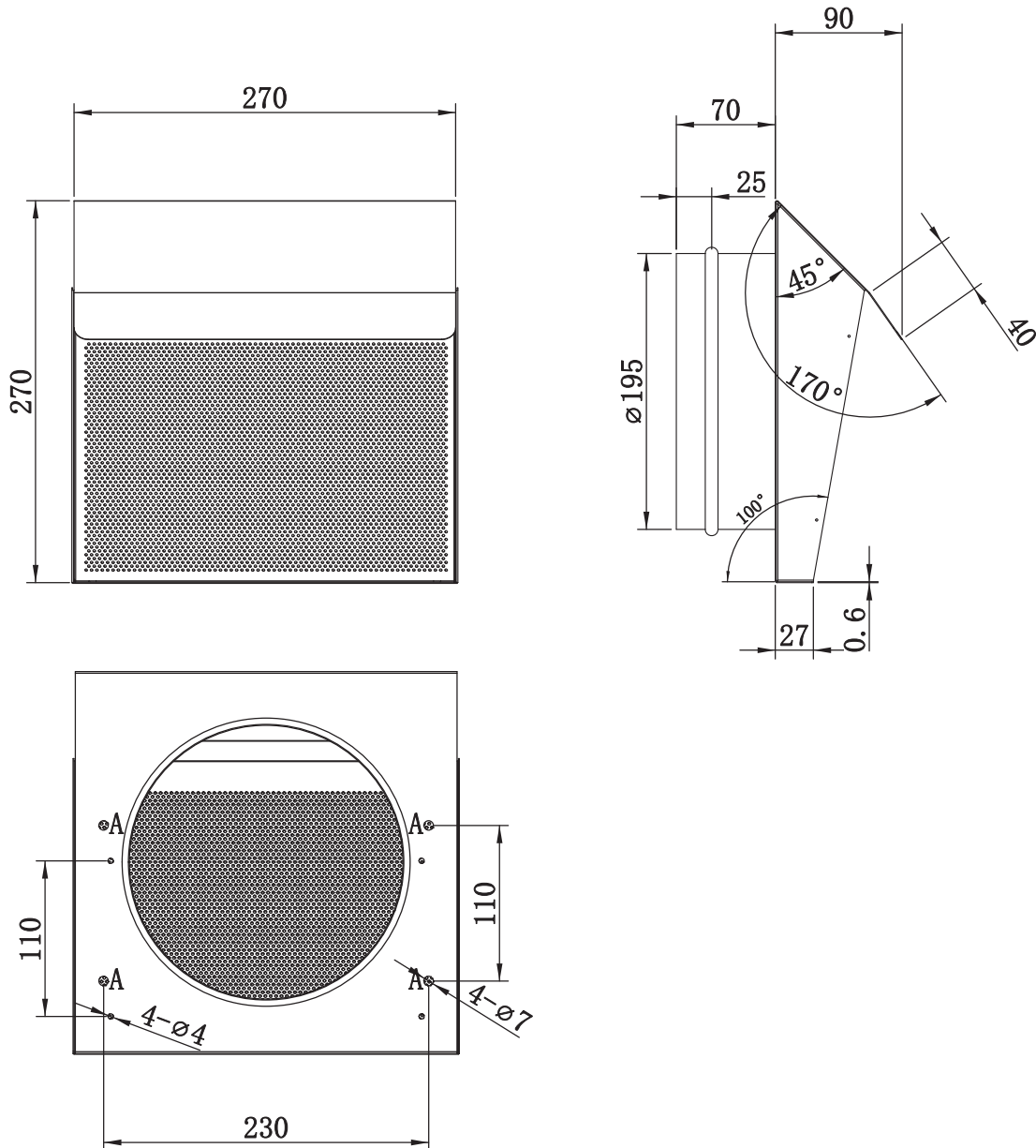
### Isodrive STINL Motor



### Technical Specifications

Model	Isodrive STINL
Feeding Voltage	220-240V 50Hz
Rated Power	55 W
Rated Speed	2600 r/min

## High-flow Wall Vent



**Note:**

Use 4- $\varnothing 7$  mounting holes to install vent to the wall.

Use 4- $\varnothing 4$  mounting holes to install vent to the wall cover plate (optional).

## 5. Installation

### Inline Motor System Installation

For ease of installation, the inline motor can be fixed inside the roof cavity quickly, providing the inline motor is protected from the elements. The motor uses mounting brackets to fix it securely to the predetermined location and this location must be accessible. To mount the motor, the provided rubber pads should be placed in between the mounting bracket and the mounting surface, to match the 4 fitment holes of the brackets, and then fix the whole motor through the rubber pads with the self-tapping screws provided.

After deciding the location of the motor (recommmended using **4-6 metres** ducting from the rangehood), the motor should be mounted closer to the venting point, while still providing access to perform maintenance. SteelFlex™ ducting should be cut into two pieces and connected by using ring clamps.

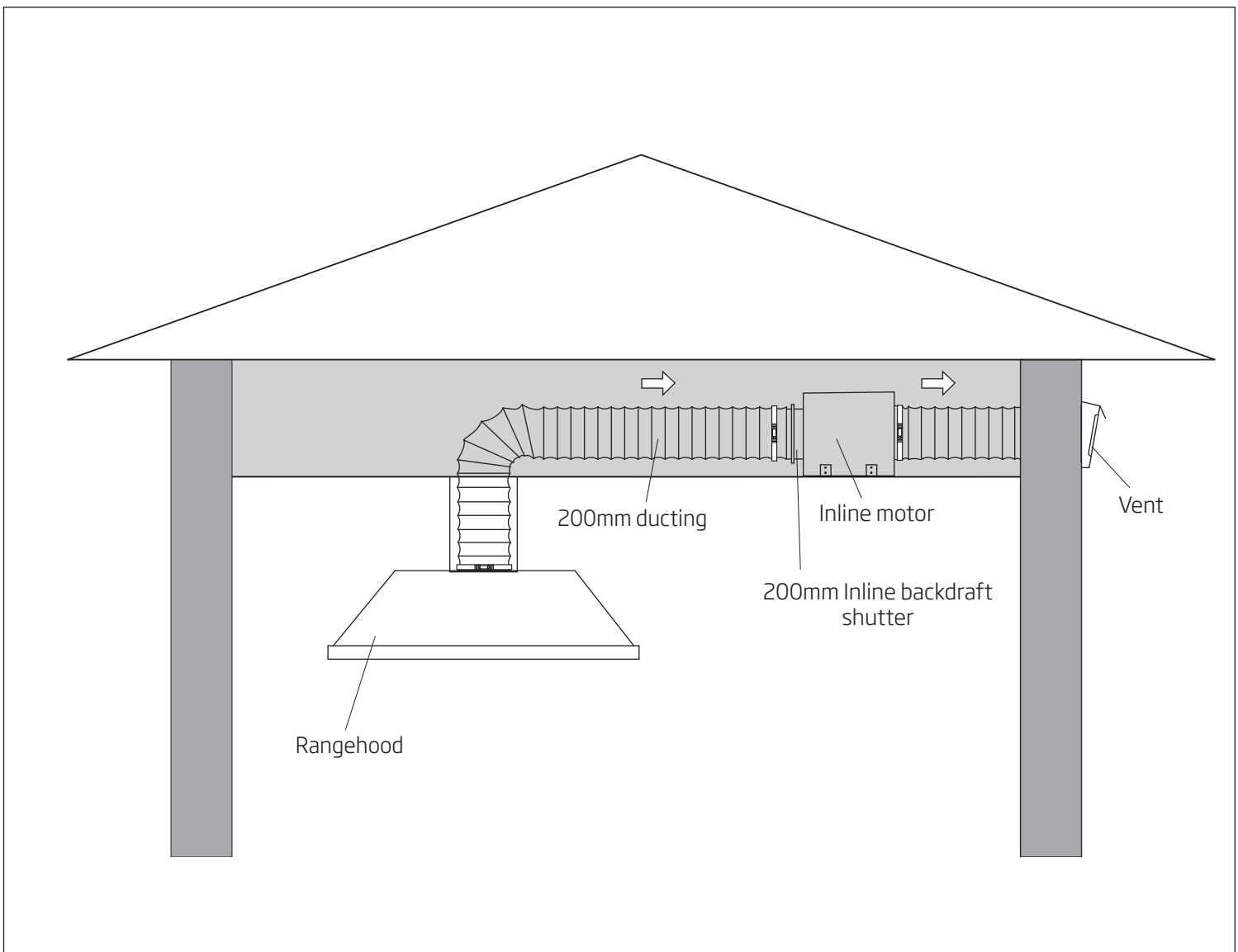
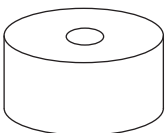


Figure 1 Inline motor system



#### IMPORTANT

It is a requirement to use the rubber pads for fixing the motor to minimise vibration. The rubber pads should be fixed in between the mounting bracket and the mounting surface.

## Options for Mounting the Vents

Three types of vents can be mounted for roof, eave and wall respectively to suit every style of home. In this Schweigen inline system, High-flow wall vent is provided. Schweigen High-flow vent (ProVent™) is recommended to use for maximum airflow. There are 3 types of ProVent™ that can be chosen and purchased from Schweigen. Please refer to the ProVent™ instruction manual for the vent installation.

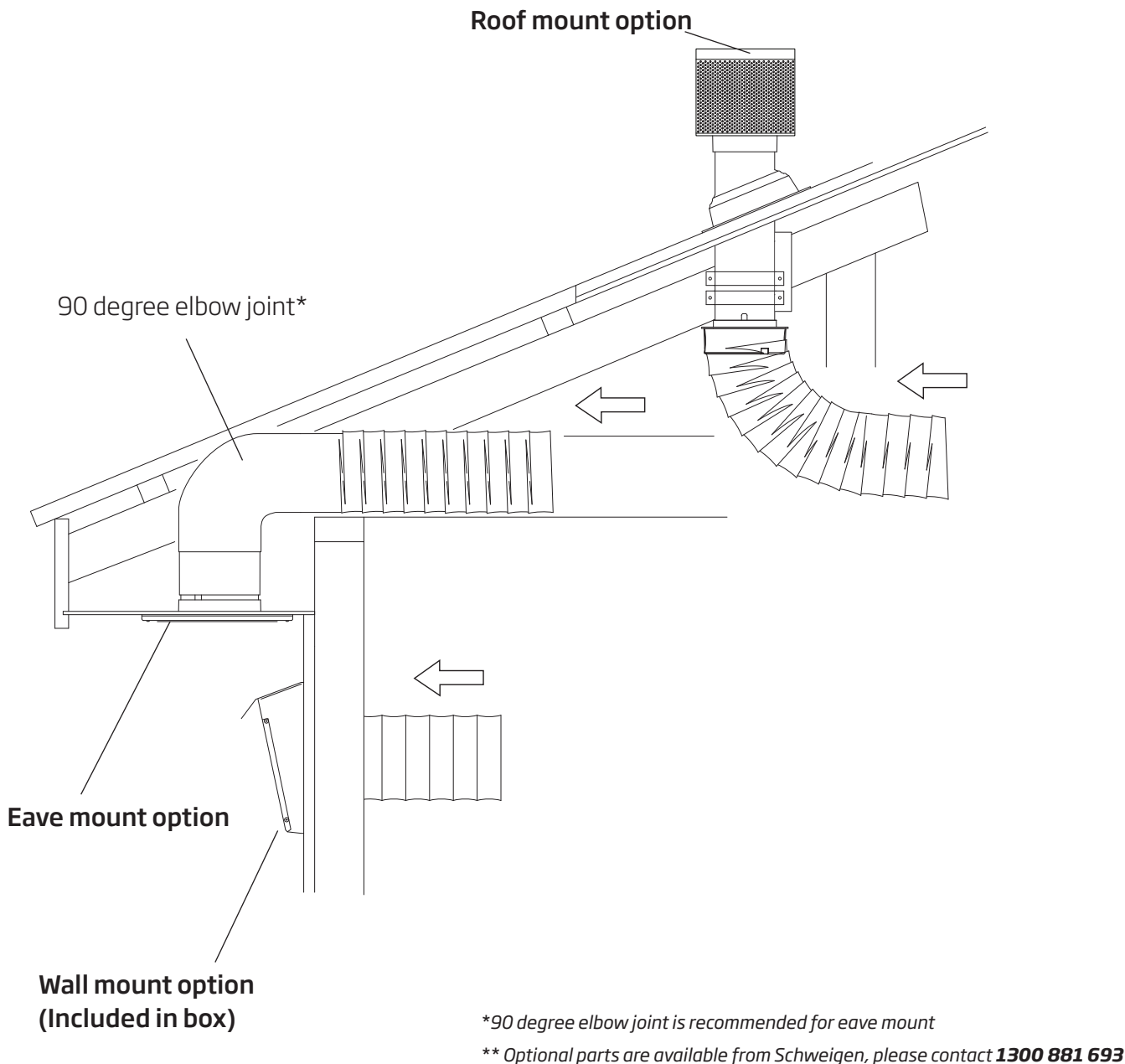


Figure 2 Options for mounting the vents outside

## 6. Back Draft Shutter System

### Inline Backdraft Shutter

The backdraft shutter is attached and integrated together with motor on the inlet side of the inline motor. Please refer to the direction of the arrow on the fan casing.

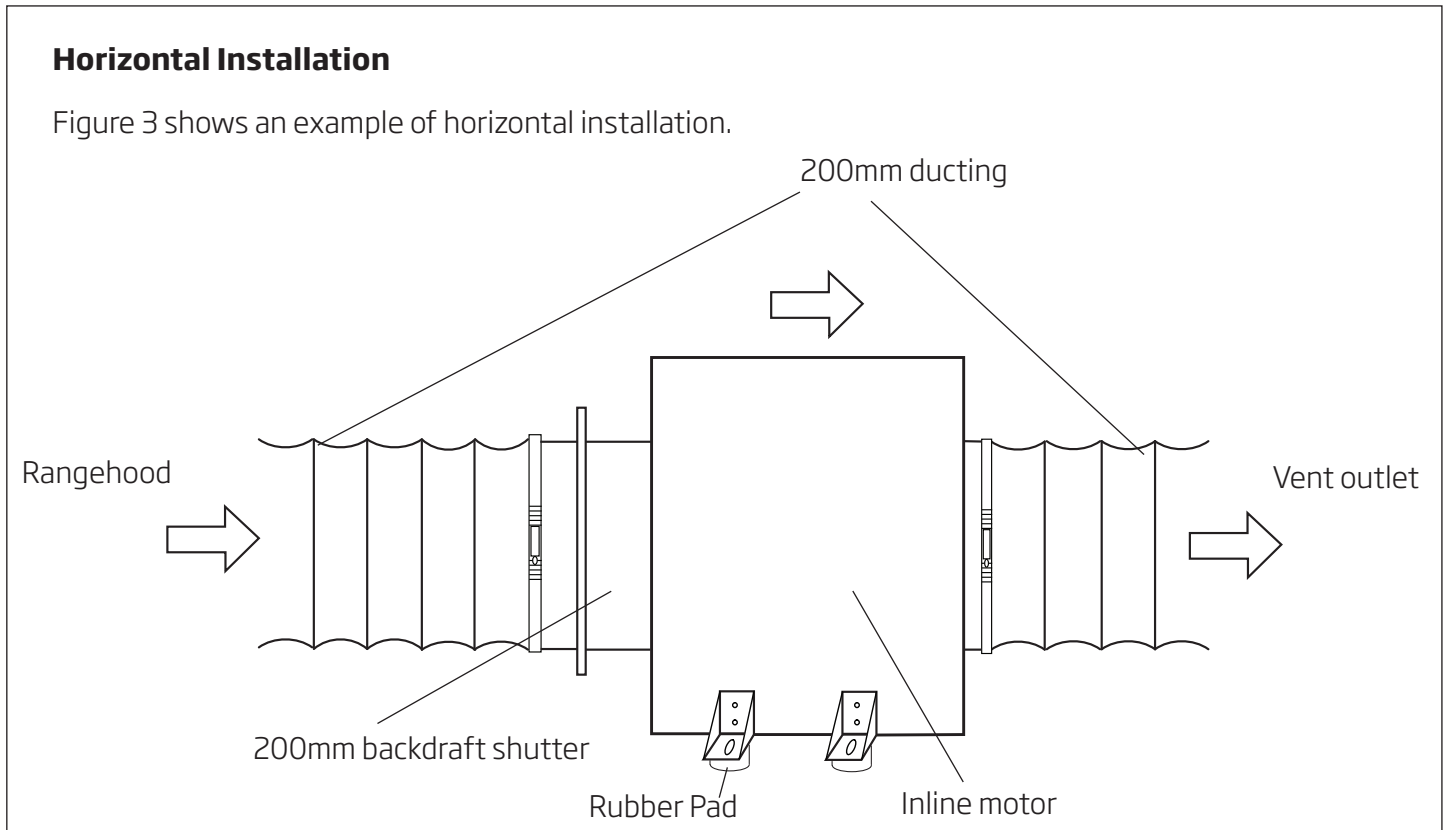


Figure 3

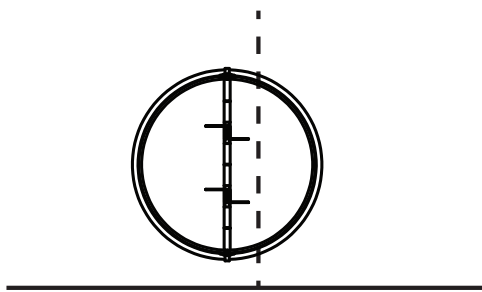
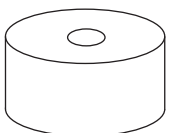


Figure 4



### IMPORTANT

Check and make sure the shutter shaft is vertical when Inline motor is mounted, refer to figure 4.

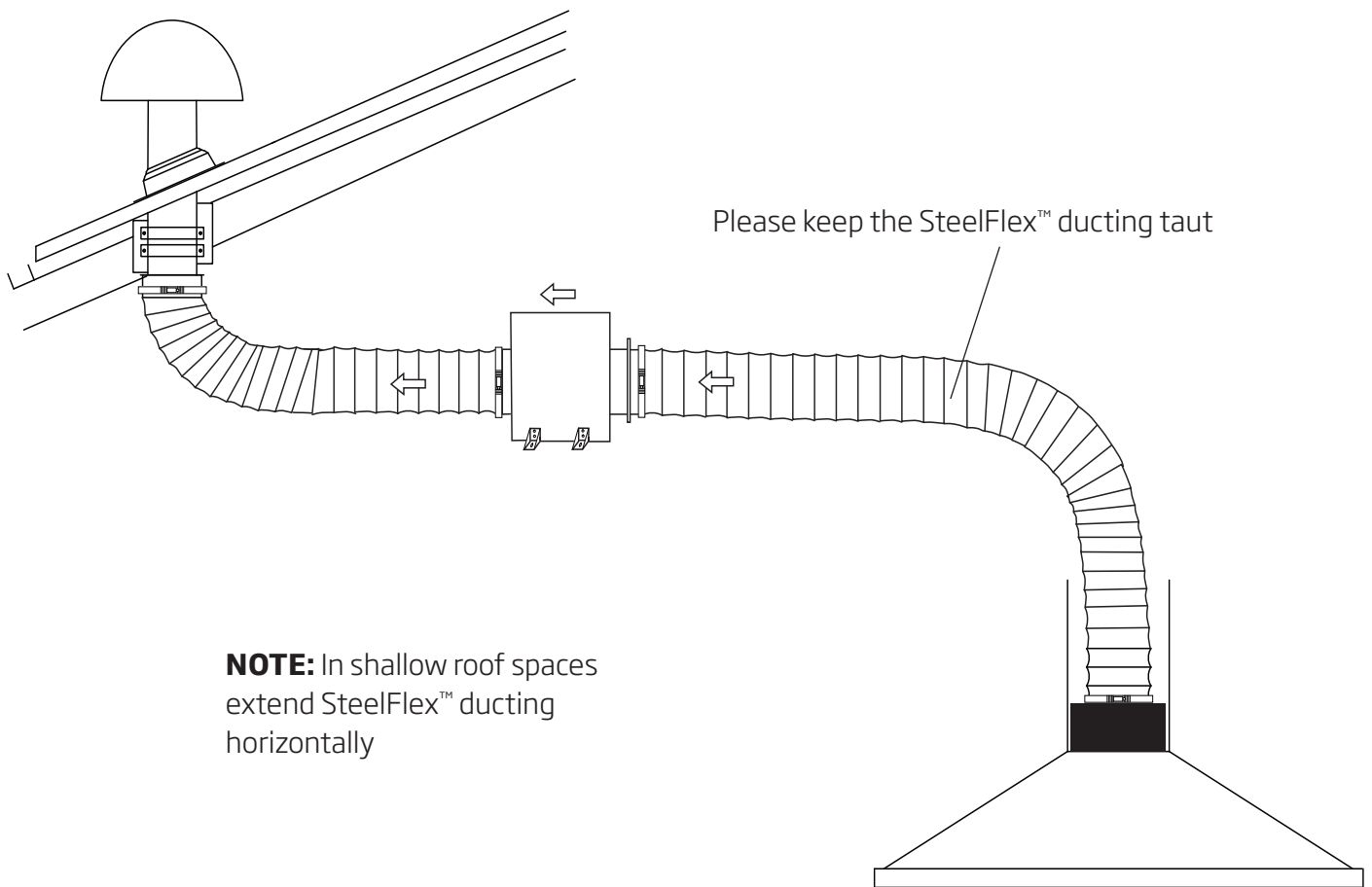


### IMPORTANT

It is a requirement to use the rubber pads for fixing the motor to minimise vibration. The rubber pads should be fixed in between the mounting bracket and the mounting surface.

### SteelFlex™ Safety Ducting

SteelFlex™ safety ducting must be fully extended and cut to the required length upon installation. Maximum fan performance will not be achieved unless the ducting is fully extended. Failure to fully extend ducting results in a smaller air passage and lower airflows. Incorrect installation may reduce airflow or increase noise levels. Call outs relating to incorrect installation will result in a service fee directed to the customer. Schweigen will take no responsibility for problems caused by faulty installation. **A list of experienced installers can be obtained from the Schweigen website [www.schweigen.com.au](http://www.schweigen.com.au).**



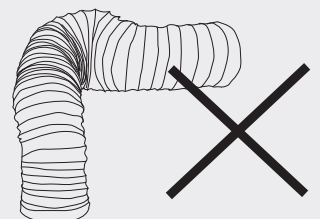
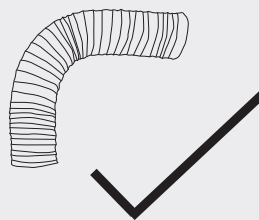
**NOTE:** In shallow roof spaces extend SteelFlex™ ducting horizontally

Figure 5 SteelFlex™ Safety Ducting



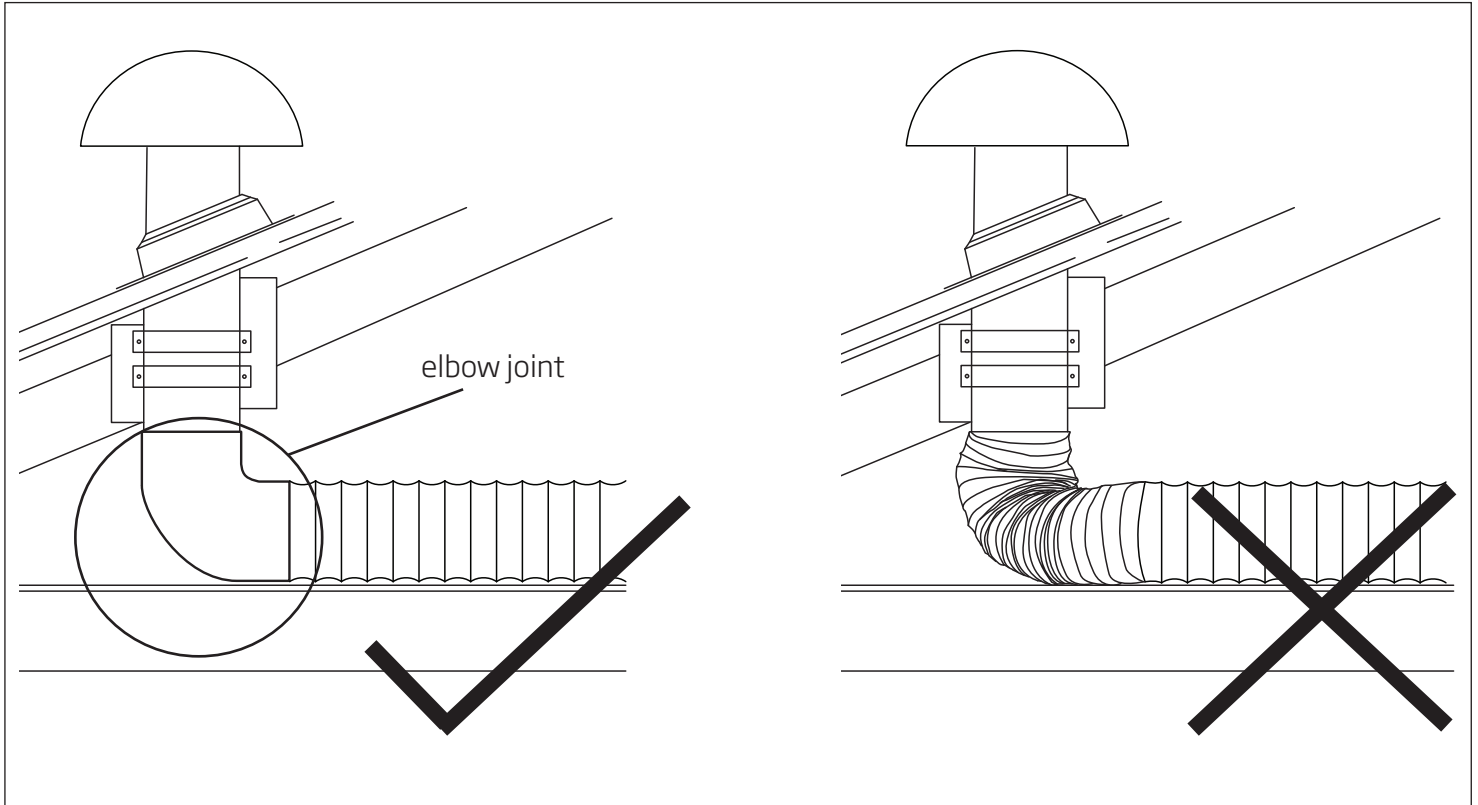
### IMPORTANT

Please do not crush or kink ducting as it will reduce air flow and may cause noise to occur through the system. Ducting must be kept taut at all times.



### Shallow Roof Space

In shallow roof spaces, 90 degree elbow joint can be used as a substitute for the bend in roof venting installation.



*Figure 6 Shallow Roof Space*

### **Warranty** (See warranty for more information)

Isodrive motor has a 10-Year replacement product warranty.\* The consumer is responsible for any charges associated with removal of the faulty unit and installation of the new unit. The customer is also responsible for any freight charges incurred in this change over process. Schweigen SteelFlex™ comes with a Lifetime Warranty\*.

### **Disclaimer**

Under our policy of continuous product development, product specifications may change without notice. Prospective purchasers should therefore check with the retailer to ensure this publication correctly describes the products being offered for sale. All information supplied is to be used for general reference purposes only and is on the understanding that Schweigen Home Appliances will not be liable for any loss, liability or damage of whatever kind arising as a result of any reliance upon such information. All pictures used in the guide are for illustrative purposes only.

*\*Terms and conditions apply.*

# schweigen

**Australia** Unit 4/1-5 Lake Drive, Dingley Village, Victoria 3172.

**Phone** 1300 881 693 **Email** [sales@schweigen.com.au](mailto:sales@schweigen.com.au)

**Web** [www.schweigen.com.au](http://www.schweigen.com.au)

**New Zealand** Ground Floor, 165 The Strand, Parnell, Auckland 1010.

**Phone** 0800 259 644 **Email** [servicerequest@schweigen.co.nz](mailto:servicerequest@schweigen.co.nz)

**Web** [www.schweigen.co.nz](http://www.schweigen.co.nz)

Scan for more  
contact details

