

GERMAN MADE

isodrive®

10YR<sup>+</sup>  
MOTOR  
WARRANTY

- Schweigen's unique in-line Isodrive® motor solution is to take the fan and motor out of the rangehood creating a whisper quiet ventilation solution
- German made centrifugal motor with patented Australian venting system
- Extracts smoke, steam and airborne grease, fat and oil particles in one complete process
- Unique motor design resulting in minimal external obstruction
- 10 year peace-of-mind warranty
- Schweigen Steelflex™ ducting included
- 3 times more efficient when compared to a traditional internally motored rangehood
- Suitable for use with Schweigen **Silent** wallmount, undermount, ceiling cassettes and island rangehoods

**PRODUCT DESCRIPTION**

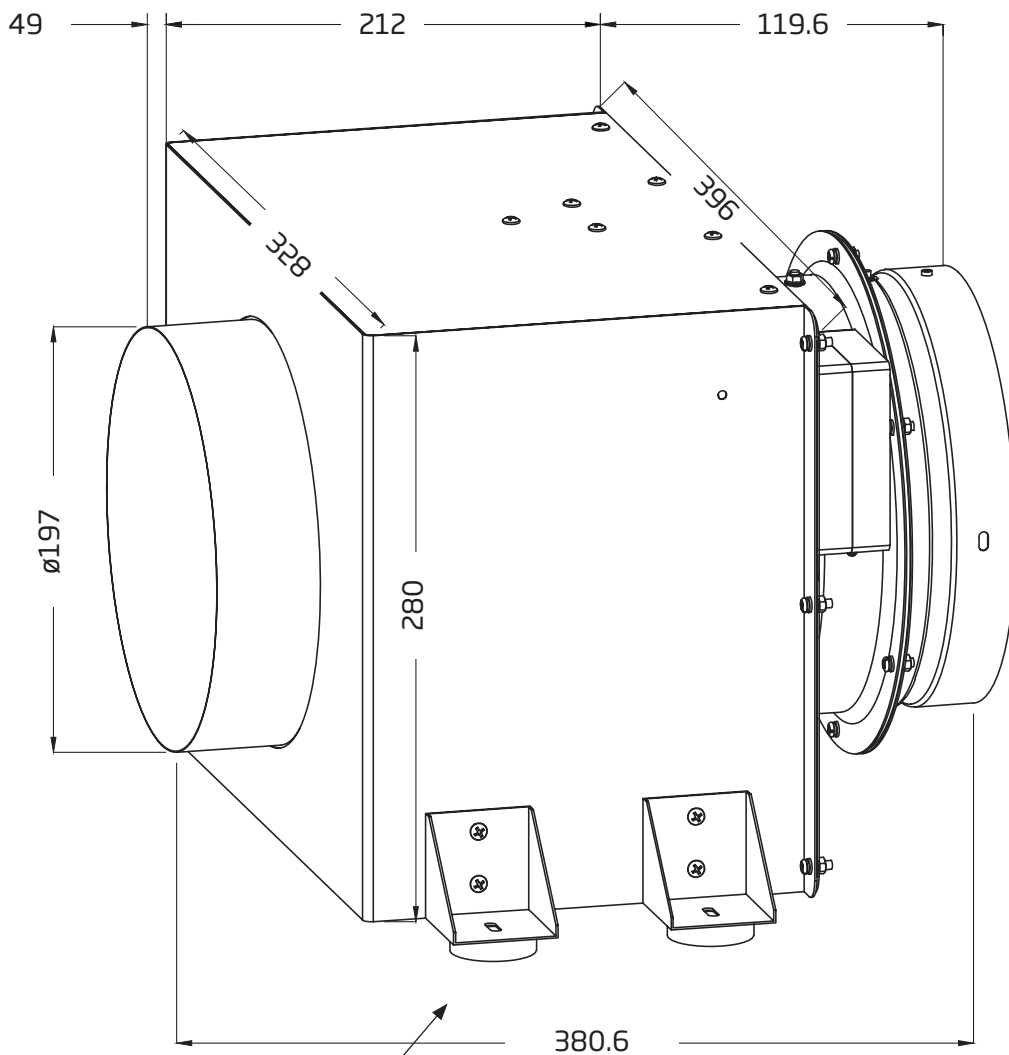
- 220-240V~ 57W 50Hz
- Isodrive® motor with mounting system
- Super quiet, long vane, backward curved centrifugal fan
- Motor can be mounted 4 to 8 metres from the rangehood
- Schweigen Steelflex® Ducting included

**Isodrive® STINL**

- Inline Fan Module
- SteelFlex™ 200mm Ducting 6m length
- Instruction Manual
- Ring clamps
- Rubber Mounting Bracket Dampeners
- Back draft shutter
- 200mm Wall Vent

**MOTOR POWER**

- **Single motor** - 900m³/hr extraction power
- 10 Year Warranty on Motor



Rubber Mounting Bracket Dampeners