



SCC1200-S, SCC1200B-S, SCC1200W-S // 120cm // SILENT White, Black or Stainless Steel



// SCC1200-S (120 cm, stainless steel)

PA PERIMETER ASPIRATION	5YR WARRANTY	10YR MOTOR WARRANTY
--------------------------------------	------------------------	----------------------------------



// SCC1200W-S (120 cm, matte white)



// SCC1200B-S (120 cm, matte black)

The stylish and sophisticated SCC1200-S ceiling cassette comes in an expansive 1200mm length and 700mm depth for even more coverage over island or peninsula style kitchen benches. Perfect for maintaining uninterrupted views across the cooktop, this unit is available in stainless steel, matte white and matte black to accentuate any modern kitchen design. With the technology of Perimeter Aspiration, airflow is targeted towards the perimeter of the rangehood, creating a more intense extraction area. For greater ease and convenience, a WIFI Integrated Smart Switch can be used to connect this Schweigen Appliance to any home automated software such as Google Home or Alexa for voice-activated controls. Now you can power up and shut down your Schweigen Appliance without lifting a finger. *This integration requires the services of a licensed electrician with reference to the third party device's installation and operating manual.

PRODUCT DESCRIPTION ISODRIVE® OPTIONS

- | | |
|----------------------------------------------------------------------------------------------------------------------------------------------------------------------------------------------------------------------------------------------------------------------------------------------------------------------------------------------------------------------------------------------------------------------------------------------------------------|--------------------------------------------------------------------------------------------------------------------------------------------------------------------------------------------------------------------------------------------------------------------------------------------------------------------------------------------------------------------------------------------------------------------------------------------------------------------------------------------------------------------------------------------------------------------------------------------------------------------------------------------------------------------------------------------------------------------------------------------------------------------------------------------------------------------------------------------------------------------------------------------------------------------|
| <ul style="list-style-type: none"> • stainless steel, matte black and white finish available • silent Isodrive® motor system • Perimeter Aspiration • ceiling/bulkhead cassette rangehood • aluminium, dishwasher safe filters • free ducting • 5 Year Warranty on Canopy • wall switch operation for lights and rangehood (wall switch is not provided) • single speed | <ul style="list-style-type: none"> • SP2 twin external motor <ul style="list-style-type: none"> - 3000 m³/h airflow - 200mm SteelFlex™ ducting (2 x 6m) - install roof/wall - rated power: 310W • SE single external motor <ul style="list-style-type: none"> - 3200 m³/h airflow - 250mm SteelFlex™ ducting (4m) - 200mm SteelFlex™ ducting (2m) - SE accessory kit required - install roof/wall - rated power: 137W • SE2 Twin external motor <ul style="list-style-type: none"> - 5000 m³/h airflow - 2 x 250mm SteelFlex™ ducting (4m) - 2x 200mm SteelFlex™ ducting (2m) - 2 x 200-250mm reducer - install roof/wall - rated power: 274W |
|----------------------------------------------------------------------------------------------------------------------------------------------------------------------------------------------------------------------------------------------------------------------------------------------------------------------------------------------------------------------------------------------------------------------------------------------------------------|--------------------------------------------------------------------------------------------------------------------------------------------------------------------------------------------------------------------------------------------------------------------------------------------------------------------------------------------------------------------------------------------------------------------------------------------------------------------------------------------------------------------------------------------------------------------------------------------------------------------------------------------------------------------------------------------------------------------------------------------------------------------------------------------------------------------------------------------------------------------------------------------------------------------|

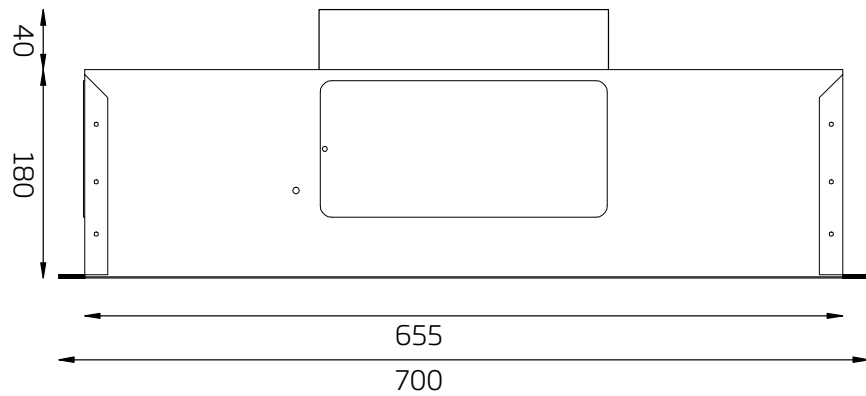
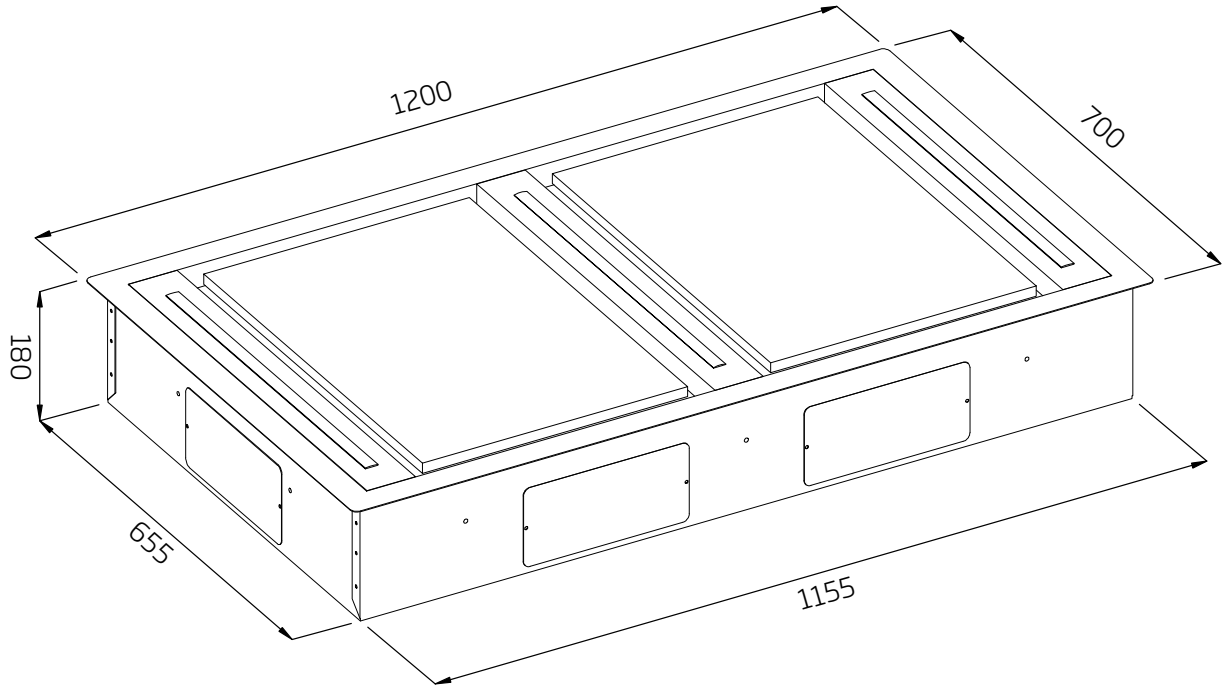
TECHNICAL DATA

SCC1200 (including variants)

- dimensions: (W x D) 1200 x 700 mm
- 2 x mesh filters



SCC1200-S, SCC1200B-S, SCC1200W-S // 120cm // SILENT White, Black or Stainless



Model: SCC1200-S
SCC1200B-S
SCC1200W-S

Feeding Voltage: 220-240V 50Hz

Max Lamp Power: 3 x 10.5W