

# RANGEHOOD & INSTALLATION GUIDE

CL8912S / CL8912BS

CL8915S / CL8915BS

CL7372S / CL7372BS

CL7375S / CL7375BS

Scan for the latest  
digital manual



Under our policy of continuous product development,  
product specifications may change without notice.  
Please refer to the online version of the manual for the  
latest updates and specifications.

**schweigen**

[www.schweigen.com.au](http://www.schweigen.com.au)  
[www.schweigen.co.nz](http://www.schweigen.co.nz)

<b>1. Welcome</b>	<b>3</b>
Your State Regulatory Authority	3
<b>2. Important Safety Information</b>	<b>4</b>
Before Installation	5
Product Use	6
Electrical Cord	6
<b>3. Description</b>	<b>7</b>
Rangehood	7
<b>4. Specifications</b>	<b>8</b>
CL7372S and CL7375S Dimensions	8
CL8912S and CL8915S Dimensions	9
<b>5. Operation</b>	<b>10</b>
Touch Button Control Panel	10
Remote Control	10
Using the ON/OFF Button	10
Speed Control	10
<b>6. Cleaning &amp; Maintenance</b>	<b>11</b>
Cleaning the Interior	11
Cleaning the Exterior	11
Baffles	12
Replacing the Light	13
<b>7. Installation</b>	<b>14</b>
Rangehood Size vs Cooktop Size	14
BBQ Installation	14
Mounting Instructions - Outdoor/Alfresco	15
CL8912S and CL8915S Wall Mount Installation	16
Faulty Installation	17
CL7372S and CL7375S Wall Mount Installation	19
Ducting	22
Isodrive® Motor Setup	23
Single Isodrive® Motor Installation	23
Twin Isodrive® Motor Installation	24
Optional Wall Mounted Motor Installation	25
<b>8. Troubleshooting</b>	<b>26</b>
Troubleshooting	26
Service	26
<b>9. Disclaimer</b>	<b>27</b>

Thank you for purchasing your new Schweigen rangehood.

To get the maximum output from this unit, please read through this guide before use.

The guide contains important information on the use and maintenance of the unit, as well as important safety notes. This will ensure your personal safety and the lasting value of your rangehood.

We trust that you will enjoy your new Schweigen rangehood.

**Please always retain your proof of purchase to aid in any warranty queries.**

If you are unable to locate your warranty card, one is available to download from our website **[www.schweigen.com.au](http://www.schweigen.com.au)**.

This appliance and its packaging are produced by processes that minimise waste and respect the environment.

Please help us to continue this effort to protect the environment by using the appliance efficiently and dispose of the packaging in a responsible manner.

## Your State Regulatory Authority

Different Australian states have varying legislative requirements for the installation of rangehood ducting. Some will insist on ducting being vented externally (i.e. not in to the ceiling cavity); others will not. It is imperative that you check with your state building authority and/or private certifier to confirm their position.

## 2. Important Safety Information



### WARNING

Please read this section thoroughly before attempting to operate the appliance. Inspect your product upon receipt. Any damage or defect **MUST** be reported within **48** hours, or no claim will be recognised.

#### **DO NOT INSTALL THIS APPLIANCE IF YOU FIND IT DAMAGED.**

If this product is installed damaged, neither the supplier, nor the retailer, will be responsible for the costs associated with the repair, replacement, removal or re-installation of the appliance.

1. To be installed in an undercover alfresco area only.
2. If the unit is not adequately covered or sheltered from the outside elements the warranty will be null and void.
3. There shall be adequate ventilation in the room when the rangehood is used at the same time as appliances burning gas or other fuels.
4. There is a fire risk if cleaning is not carried out in accordance with the instructions.
5. Do not flambé under the rangehood. This will damage the rangehood and will not be covered by warranty.
6. Do not ignite burners that give off intense, uncontrolled flames beneath the rangehood.
7. Make sure that no flames emerge from the sides of pans.
8. Do not leave packaging materials (bags, corner brackets, etc.) within reach of children.
9. This appliance is not intended for use by person/s (including children) with reduced physical, sensory or mental capabilities, or lack of experience and/or knowledge. Unless the person has been given supervision or instruction concerning the use of the appliance by a person responsible for their safety. Children should be supervised to ensure that they do not play with the appliance, it is not a toy.
10. Exhaust air must not be discharged into an existing flue that is used for exhausting fumes from appliances burning gas or other fuels.
11. Air exhaust must be installed in accordance with local laws. Regulations concerning the discharge of air have to be fulfilled.
12. Accessible parts may become hot when used with cooking appliances.
13. Before performing any cleaning or maintenance operation, disconnect the rangehood from the mains using the respective mains or sector switch or by unplugging it.
14. Do not use the rangehood without the grease filters.
15. Keep the grease filters clean and respect the recommended cleaning frequencies.
16. Turn the rangehood motor on before starting to cook.
17. Turn the rangehood motor off about 10-15 minutes after you finish cooking.
18. It is forbidden to use the rangehood as an aspirator.
19. Never cook foodstuff directly over the flame or have the gas burners on under the rangehood without using cookware.

### Before Installation

1. We recommend this appliance be installed or repaired by an experienced home appliance technician.
2. Please see our website [www.schweigen.com.au](http://www.schweigen.com.au) | [www.schweigen.co.nz](http://www.schweigen.co.nz) for experienced installers.
3. It is dangerous to modify any part of this appliance. Modification of any kind will immediately void the warranty.
4. The manufacturer declines all responsibility in case of failure to adopt proper safety measures.
5. Ensure that the location in which this appliance is installed has good and permanent ventilation.
6. Please consult local laws and regulations and install in accordance.
7. Use an electrical connector with earth that is correct for your location.
8. Check that the voltage in your area corresponds to the appliance as indicated on the rating label.
9. This appliance must be connected to an electricity supply with a **ground connection**.
10. Check that the installation and electrical connections are made by a qualified technician and that the indicated instructions and local regulations in force are met, using materials that are compliant with the applicable legislation.
11. The company will not be responsible for installations executed by non-qualified staff and installations that fail to heed the applicable legislation on electrical safety (with regard to both modes and materials).
12. The electrical technical data can be found inside the rangehood, after removing the grease filters.
13. The flexible power cable supplied is already connected internally and emerges from the rangehood near the air outlet tube.
14. **Before installing the electrical connections, you should:**
  - Verify that the indicated electrical data coincide with the voltage values and frequency of the electrical circuit in the house where the rangehood is to be installed;
  - Check that the premises has electrical protection against short circuits and electrocution, pursuant to the applicable legislation;
  - Always switch off the current using the double-pole switch before maintenance and turn the power on again for normal use only when the operation has been completed.

## 2. Important Safety Information

### **Product Use**

This product is designed for household use and should not be used for commercial applications.

After use, always ensure that all controls are in the "OFF" position.

When frying with a gas flame, take particular care not to allow the oil or grease in the pan to catch fire. (Flambé)

Rangehoods and other cooking fume extractors may adversely affect the safe operation of appliances burning gas or other fuels (including those in other rooms) due to back flow of combustion gases. These gases can potentially result in carbon monoxide poisoning. After installation of a range hood or other cooking fume extractor, the operation of flued gas appliances should be tested by a competent person to ensure that back flow of combustion gases does not occur.

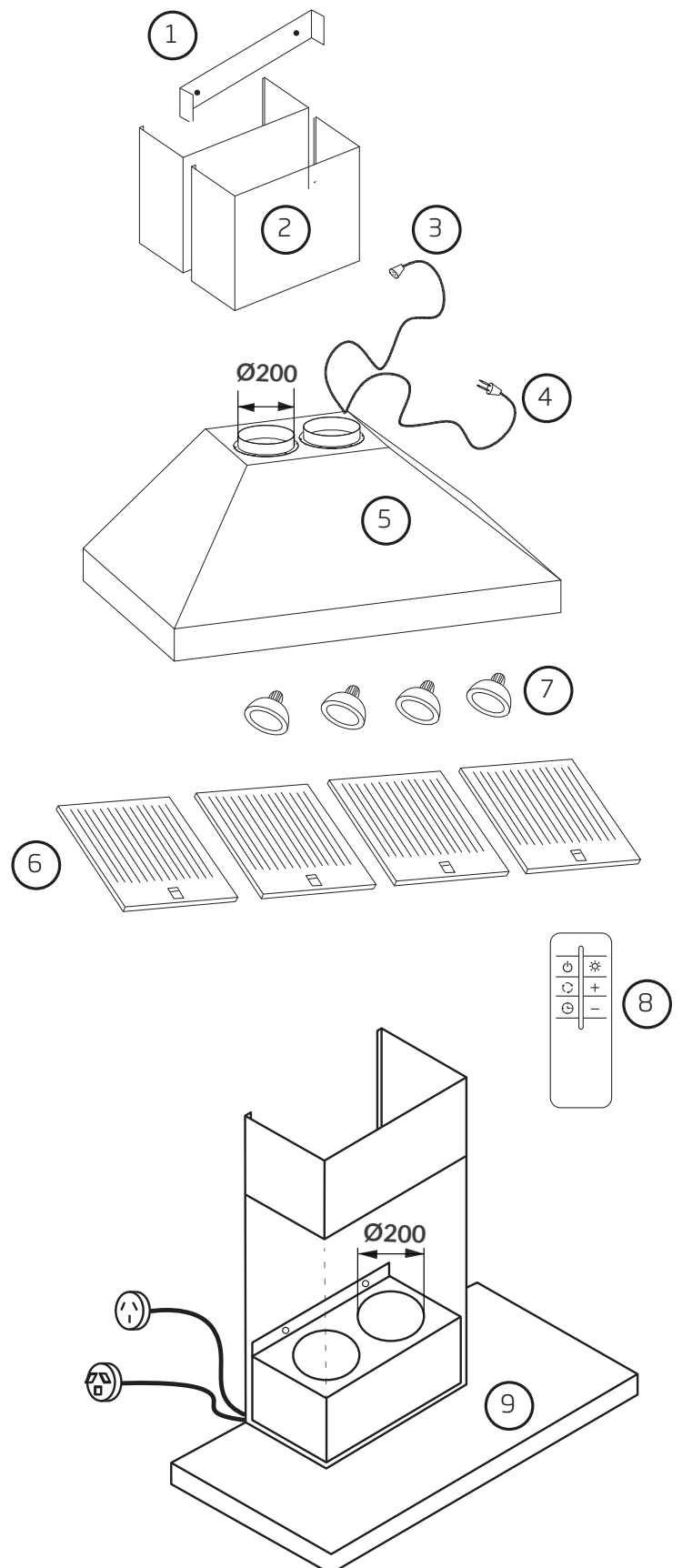
### **Electrical Cord**

Ensure the supply cord is not exposed to heat, chemicals or sharp objects. If the supply cord is damaged, it must be replaced by the manufacturer.

## Rangehood (dependent on rangehood chosen)

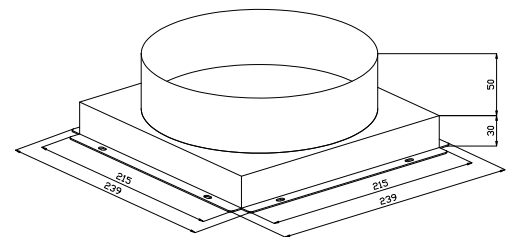
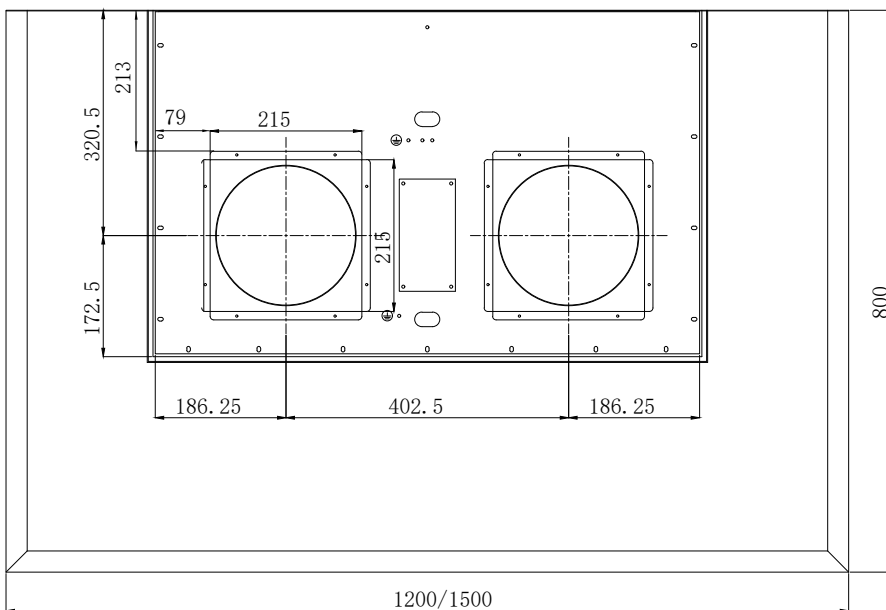
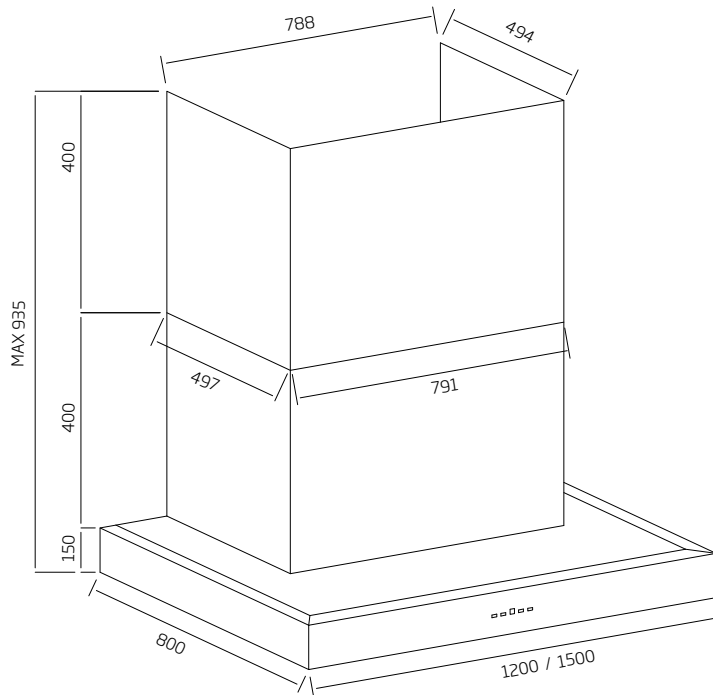
1. Mounting Bracket
2. Flue
3. Socket lead for Isodrive® motor
4. Main Power Cord
5. CL8912S and CL8915S Rangehood Body  
(all colour variants)
6. Baffles
7. Lights
8. Remote Control
9. CL7372S or CL7375S Rangehood Body  
(all colour variants)

**NOTE:** Depending on your rangehood, filter and light quantity may vary from model to model.



## 4. Specifications

### CL7372S and CL7375S Dimensions (all colour variants)

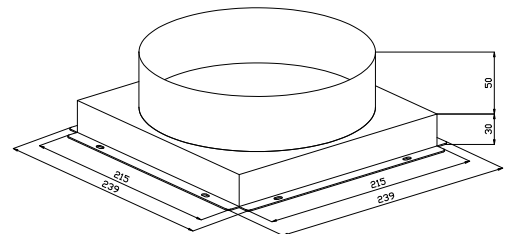
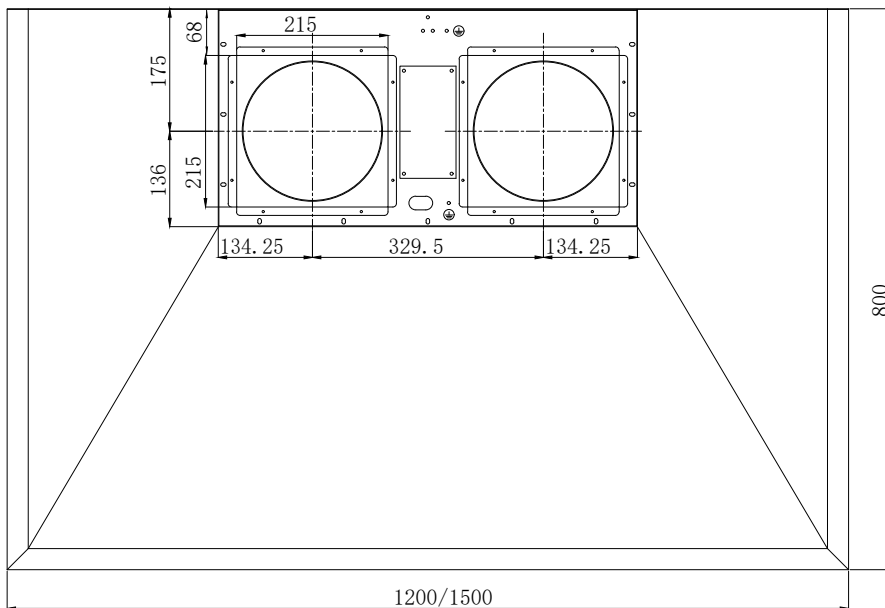
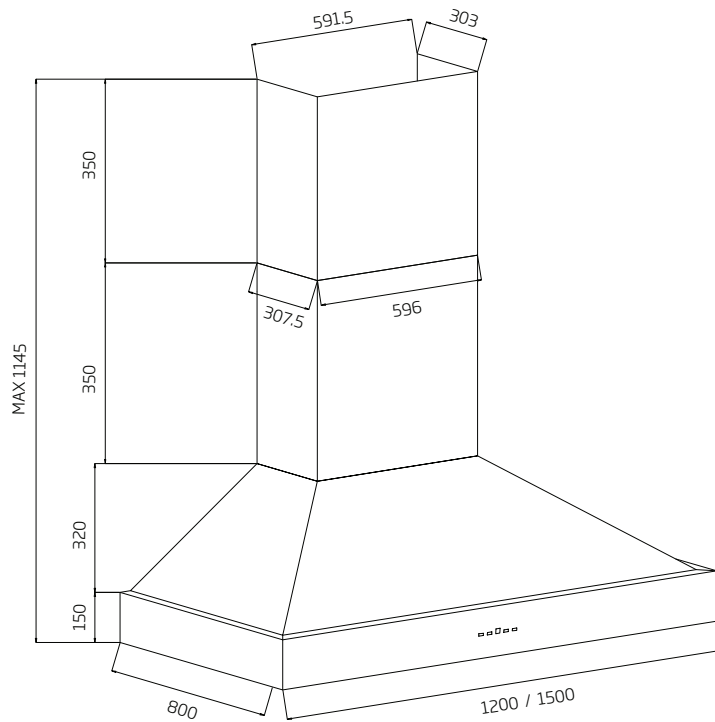


\*All dimensions are in millimetres

## Technical Specifications

Model	CL7372S, CL7372BS, CL7375S, CL7375BS
Feeding Voltage	220-240V 50Hz
Lamp Power – LED (W)	4 x 3W
ILCOS Code	DRR-3-H-GU10-51/55

## CL8912S and CL8915S Dimensions. (all colour variants)



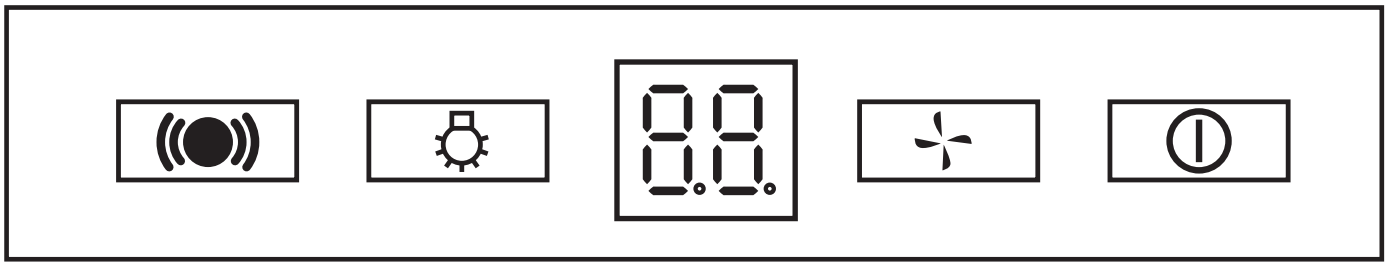
\*All dimensions are in millimetres

## Technical Specifications

Model	CL8912S, CL8912BS, CL8915S, CL8915BS
Feeding Voltage	220-240V 50Hz
Lamp Power – LED (W)	4 x 3W
ILCOS Code	DRR-3-H-GU10-51/55

## 5. Operation

### TOUCH BUTTON CONTROL PANEL



 Remote control sensor

 Turn light on/off

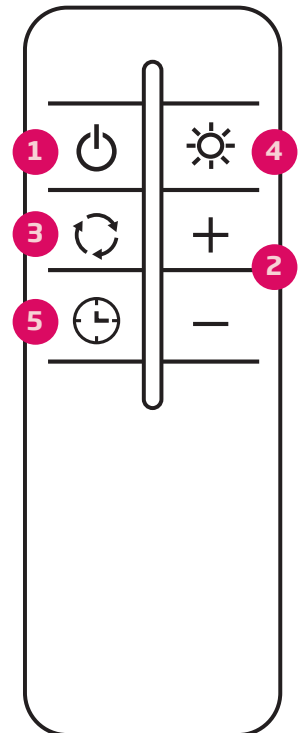
 Fan speed setting

 Turn rangehood on/off

### REMOTE CONTROL

As well as the touch buttons, this rangehood comes with a remote control to operate the rangehood.

1. Use this button for turning on and off the rangehood.
2. Changes the speed of the motor (minimum level is 1, maximum is 5.)
3. Automatically changes the speed to maximum or minimum speed.
4. Turns the lights on or off.
5. 10 minute timer.



### USING THE ON/OFF BUTTON

To turn on the rangehood press the on/off button. Press the on/off button a second time to activate the 10 min auto-shut off timer. Press the on/off button a third time to turn the rangehood off.

### SPEED CONTROL

This rangehood is equipped with a 5 -speed touch control.



### Warning

Always switch off and disconnect power before cleaning.

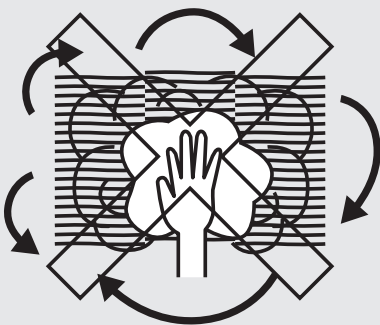
## Cleaning the Interior

Clean the interior of the rangehood with a damp cloth and a neutral detergent.

**NOTE:** Do not use denatured alcohol on the interior of the rangehood. Do not clean the electric parts or the motor with liquids or solvents

## Cleaning the Exterior

We recommended using a soft cloth, water and a liquid soap, rinsing it well and then drying it thoroughly. For better results, you can use high quality cleaning and protection products to clean your rangehood.



- The recommended detergent is a solution of water and a neutral liquid soap.
- It is very important for the liquid soap to not contain granules that could scratch the surface.
- First apply the solution to a soft cloth and then rub the cloth over the rangehood. It is important to follow the direction of the stained surface with the cloth (refer to figure on left).
- Do not pour any liquid directly on to the rangehood.
- The cloth must have no buttons, zips or fasteners that could scratch the surface.
- It is strictly forbidden to use chemical solvents, aggressive, grainy or abrasive products, naphtha, alcohol or similar products that could damage the surface of the rangehood.
- The manufacturer will not be held responsible for functional or aesthetic damage caused by cleaning with products which are not suitable or using inadequate cleaning methods.

## 6. Cleaning & Maintenance

### Baffles

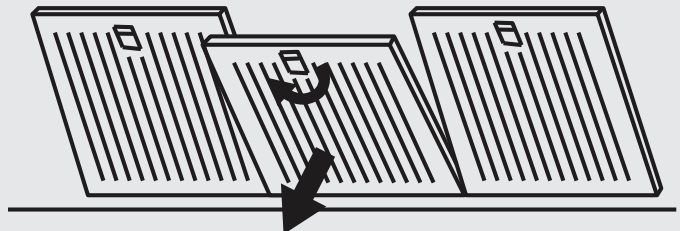
For this appliance to function effectively, regular maintenance is a must.

- The function of the baffle is to collect the grease particles given off during cooking.
- Clogged heavy oil deposits restrict airflow and may cause the motor to overheat and become a fire hazard.
- Baffles should be cleaned every 3-6 weeks or after 40 hours of use.
- For induction cooktop, please aim to clean them at least every 10 days, depending on use.
- The baffles can be washed by hand or in the dishwasher.
  - **Washing by hand** - Immerse the filter in hot water and a suitable detergent and when clean, rinse with plenty of hot water.
  - **Dishwasher** - Put the filter in the dishwasher and select a short program at low temperature. NOTE: The colour of the metal mesh filters may change after several washes. This is normal and it is not necessary to change the filters.

**Please ensure the baffles are completely dry before placing them back in position and operating the rangehood.**

Ensure the baffles are cool before removing them. Take care as there may be excess oil within the baffles.

To remove the filter lift up the lever and pull towards you. Then lower the filter to remove from the cavity. To replace, perform the same operation but in reverse.



### Warning

- If the baffles are very dirty, the motor will extract only a small quantity of air, which reduces its efficiency;
- The grease deposits that build up on the baffles are highly flammable and **COULD EASILY CATCH FIRE.**
- The manufacturer is exonerated from all responsibility in the event of fire due to poor maintenance of the grease filters.

### Replacing the Light

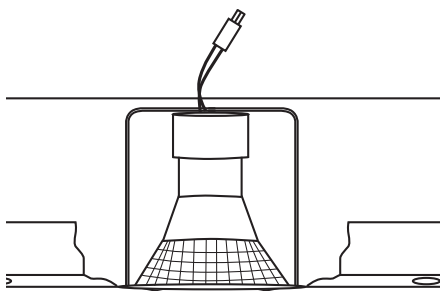


#### Danger

Always switch off and disconnect the power cord before replacing any lights. Failure to do so may cause serious injury. Please be aware that the light will retain heat for a short period of time after being switched off.

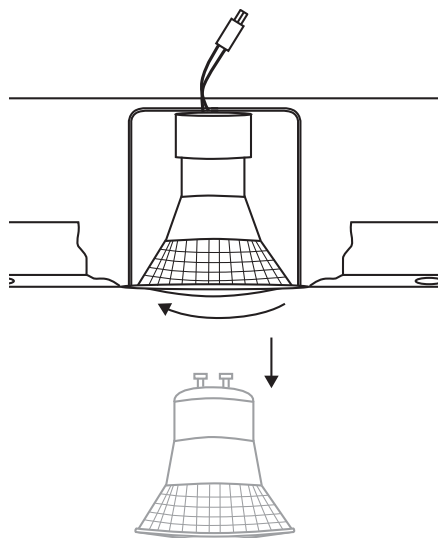
#### Step 1

Remove the filters from the rangehood.



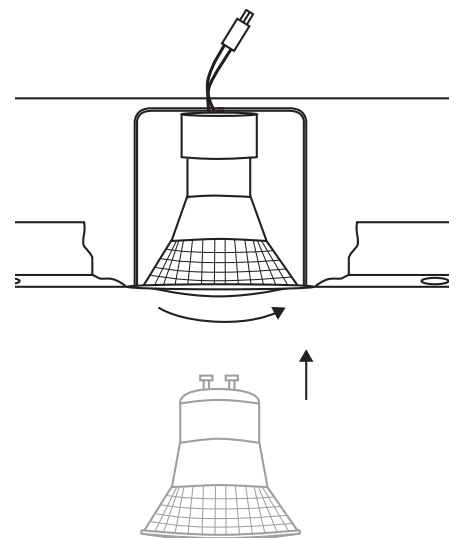
#### Step 2

Gently turn light anti-clockwise, pull the light down and remove it from the light holder.



#### Step 3

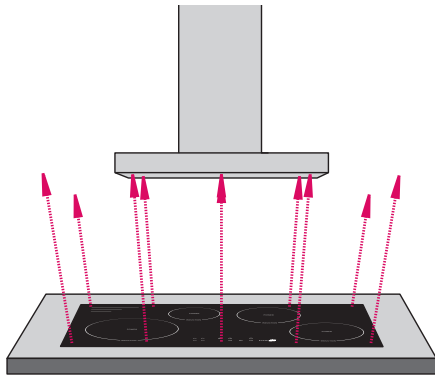
Insert a new light by lining up the pins of the light with the larger holes inside the light holder. Once the pins are in place, turn clockwise to secure the light.



## 7. Installation

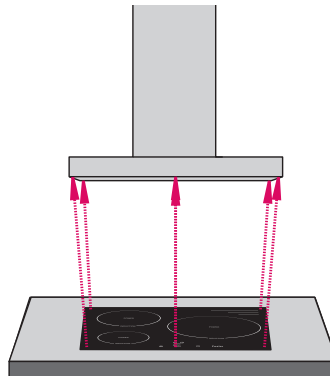
### Rangehood Size vs Cooktop Size

In addition to the size, the height of the rangehood above the cooktop is important to obtain the best performance.



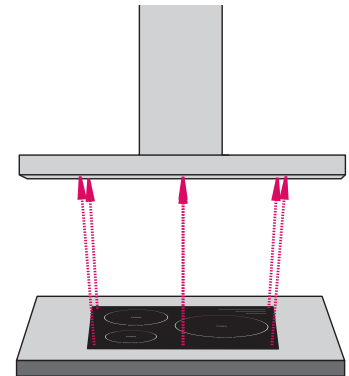
#### **INADEQUATE**

Rangehood smaller than cooking zone



#### **ADEQUATE**

Rangehood same size as cooking zone

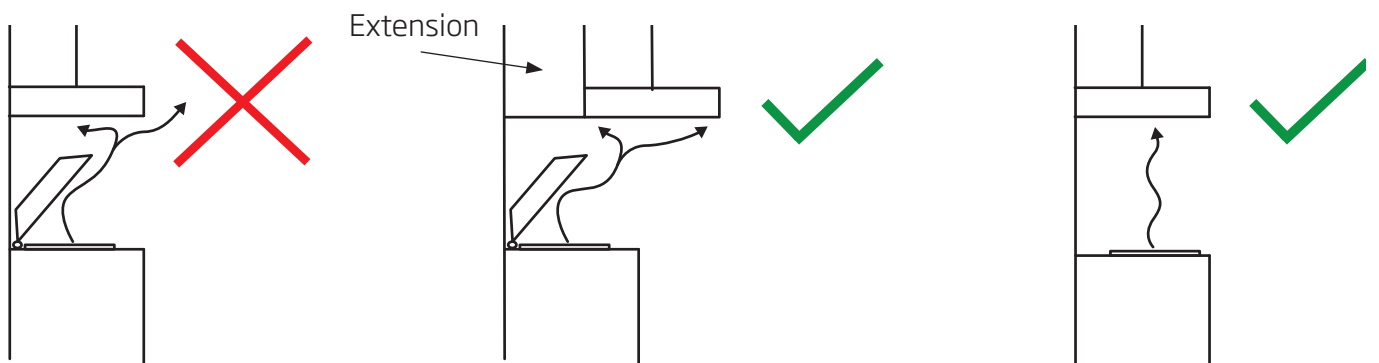


#### **OPTIMAL**

Rangehood larger than cooking zone

### BBQ Installation

When installing the rangehood over a BBQ, please be aware that the lid will obstruct the rangehood's effectiveness to extract smoke, steam and odours. Where possible, remove the lid of the BBQ unit when in use, so as to allow for effective rangehood extraction. Alternatively, install the rangehood on an extension, to move the rangehood further out.



## Mounting Instructions - Outdoor/Alfresco

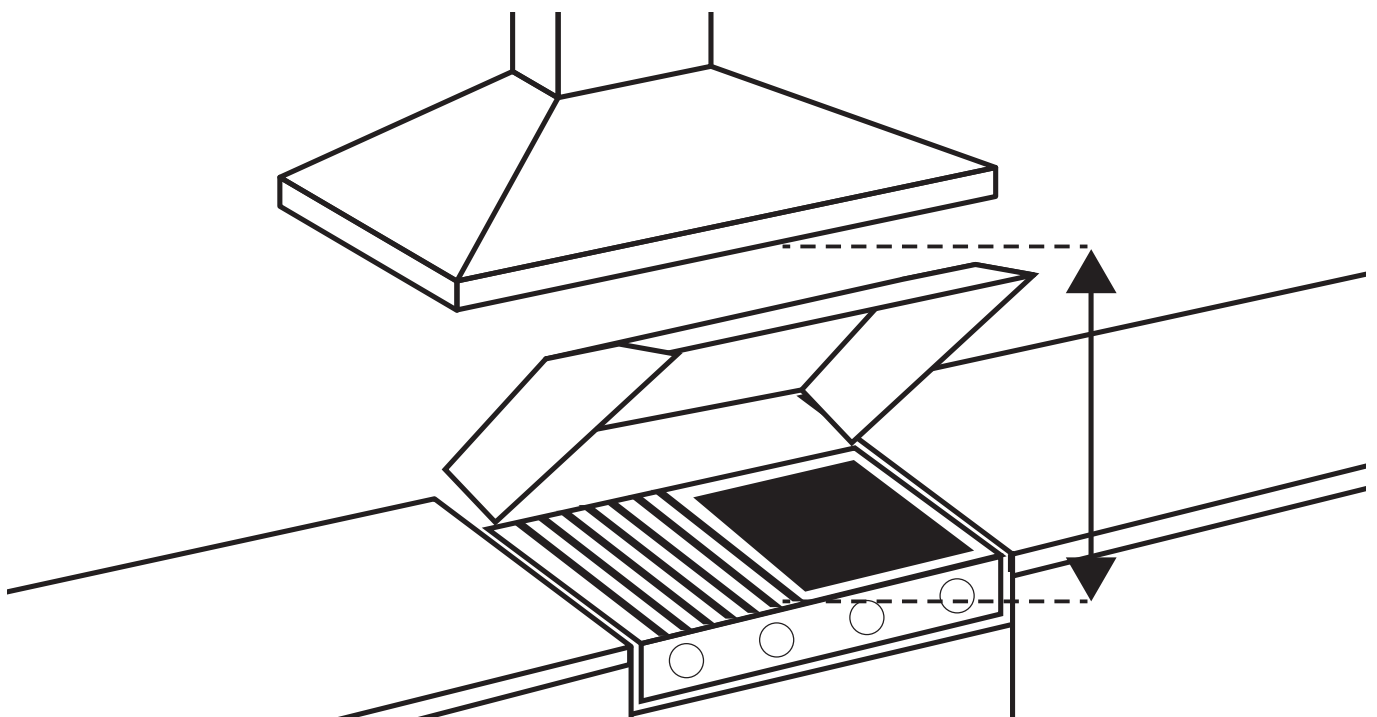
**When installing in an outdoor kitchen or alfresco area, the rangehood MUST NOT be installed where it is directly exposed to the outside elements .**

It is **STRONGLY RECOMMENDED** that the rangehood be installed centrally over the cooktop. This will greatly improve its performance.

Minimum legal height from the BBQ surface to the underside face of the rangehood:

- 1200mm

Any installation above 1200mm will compromise the extraction performance.



Measurements are from the top of the trivets to the lowest part of the rangehood, including the button controls.

**\*IMPORTANT:** If the user decides to install the rangehood at a distance of less than minimum height above the cooking surface, Schweigen declines responsibility for damages suffered by the rangehood due to excess heat or damage to objects, people and others caused directly or indirectly by a malfunction, breakage or fire.

**\*Important:** In addition to the information in this manual, please check all relevant state requirements for minimum-maximum heights, as well as regulations regarding the expelling of air. Schweigen is not liable if your rangehood is not installed in accordance with these legal requirements.

## 7. Installation

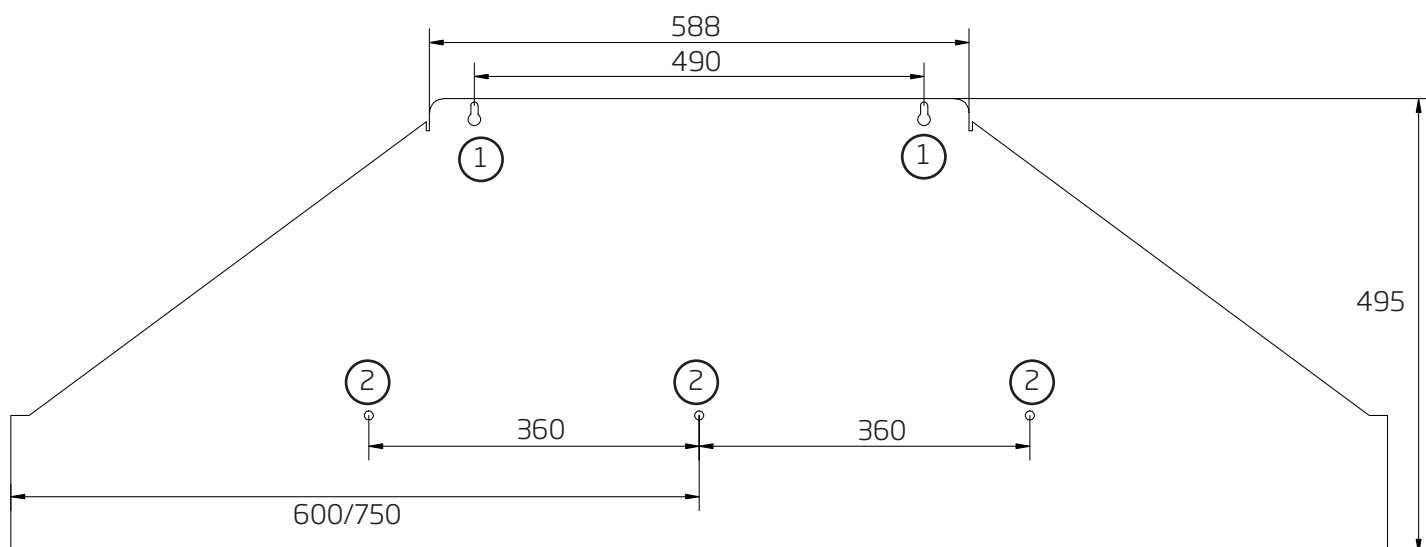
### CL8912S and CL8915S Wall Mount Installation (all colour variants)

There are two primary mounting points and several secondary mounting points to firmly fix the rangehood in place.

Suitable fixing screws must be used to mount the appliance on a secure surface.

Please ensure that the holes for the two primary mounting points are level before installation.

1. Primary Mounting Points
2. Secondary Mounting Points



#### WARNING

Please remove filters before installation. Failure to do so may damage the clips.

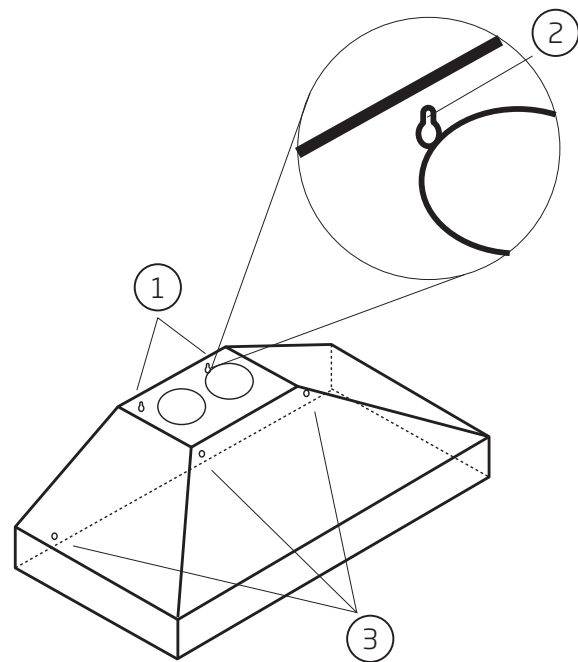


#### DANGER

Always switch off and disconnect the power supply before installing the rangehood. Failure to do so may cause serious injury.

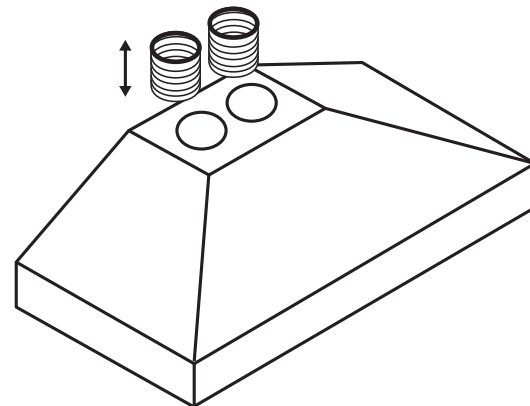
## Step 1

Secure rangehood to the wall using only primary mounting points (①). Check the level of the rangehood and adjust accordingly if necessary (②). Once level, continue to secure the rangehood via the secondary mounting points (③).



## Step 2

Feed through and secure the ducting from the rangehood outlet to the Isodrive motor.



## Faulty Installation

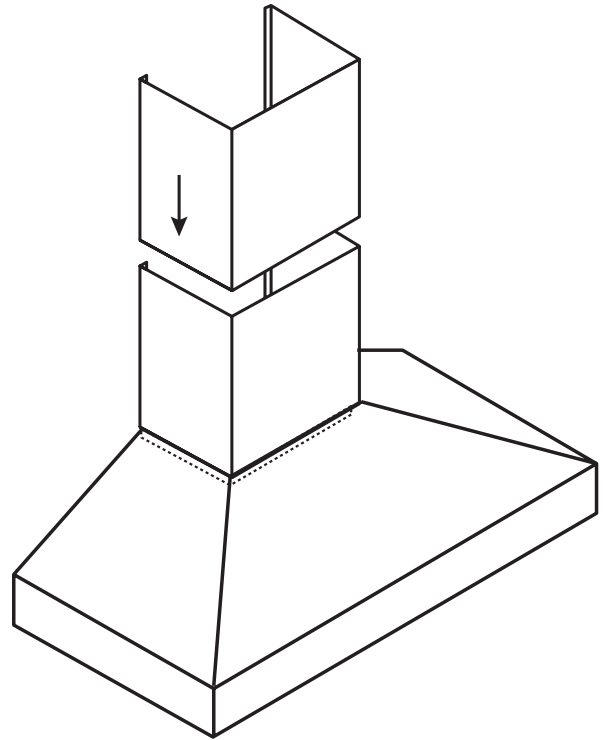
It is not the responsibility of Schweigen to rectify any incorrect installations. A service call out fee will be charged for any Schweigen technician that attends a call, whereby it is established that the fault is due to an incorrect installation or non-manufacturing fault. Should the appliance be installed in such a way that the service agent is unable to gain access to the appliance, the person/s who own the premises or the property where the appliance resides – will be responsible to provide access to the appliance at their expense.

## 7. Installation

### Step 3

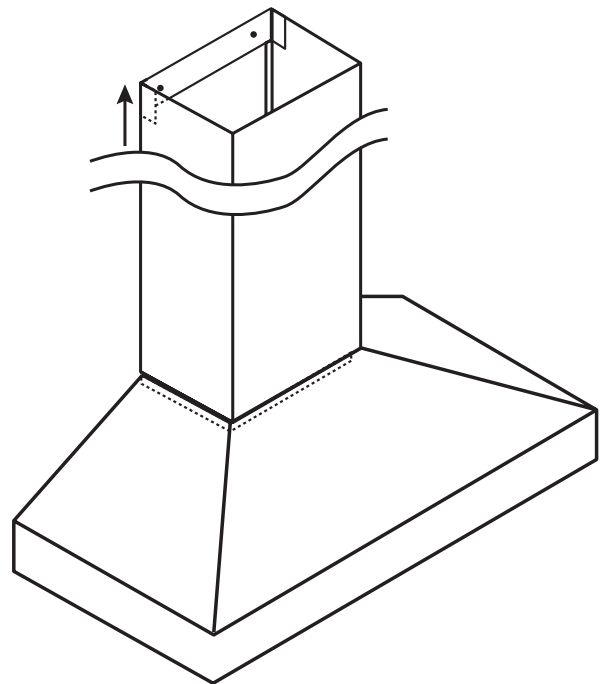
Place flue covers on the rangehood. (Be careful not to scratch the top of the rangehood).

**PLEASE NOTE:** Only a standard length of stainless steel flue is provided. Any additional length will need to be sourced and manufactured by a sheet metal fabricator.



### Step 4

Attach the flue wall mounting bracket to the wall. Slide the flue piece up to the wall mounting bracket and secure.



### IMPORTANT

Please ensure all plastic protection on the rangehood and filters is removed before use.

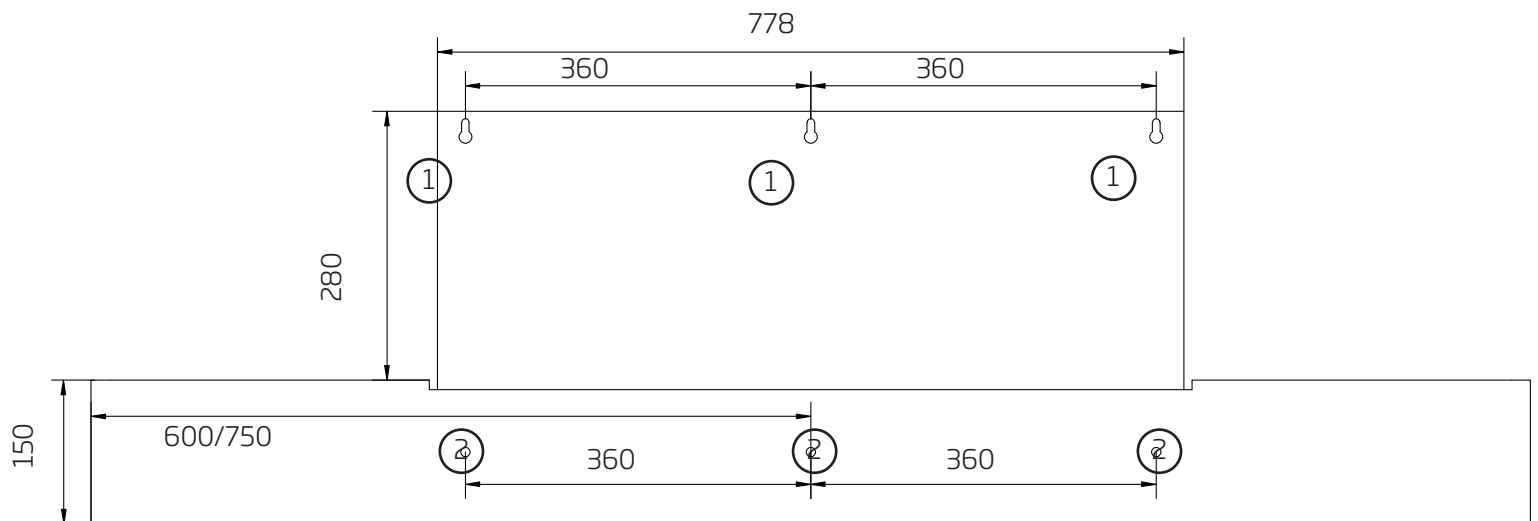
## CL7372S and CL7375S Wall Mount Installation (all colour variants)

There are two primary mounting points and several secondary mounting points to firmly fix the rangehood in place.

Suitable fixing screws must be used to mount the appliance on a secure surface.

Please ensure that the holes for the two primary mounting points are level before installation.

1. Primary Mounting Points
2. Secondary Mounting Points



### WARNING

Please remove filters before installation. Failure to do so may damage the clips.



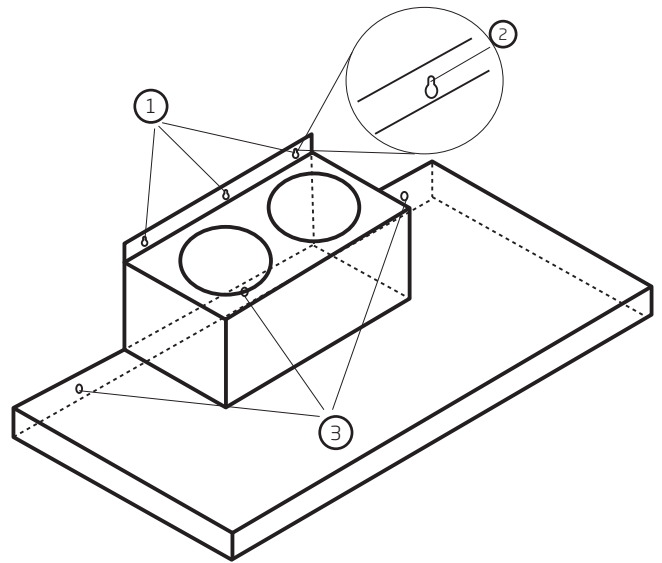
### DANGER

Always switch off and disconnect the power supply before installing the rangehood. Failure to do so may cause serious injury.

## 7. Installation

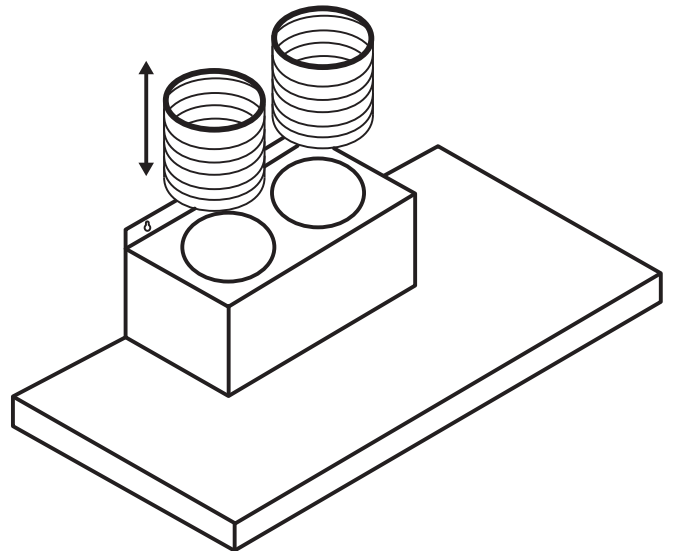
### Step 1

Secure rangehood to the wall using only primary mounting points (①). Check the level of the rangehood and adjust accordingly if necessary (②). Once level, continue to secure the rangehood via the secondary mounting points (③).



### Step 2

Feed through and secure the ducting from the rangehood outlet to the Isodrive motor.



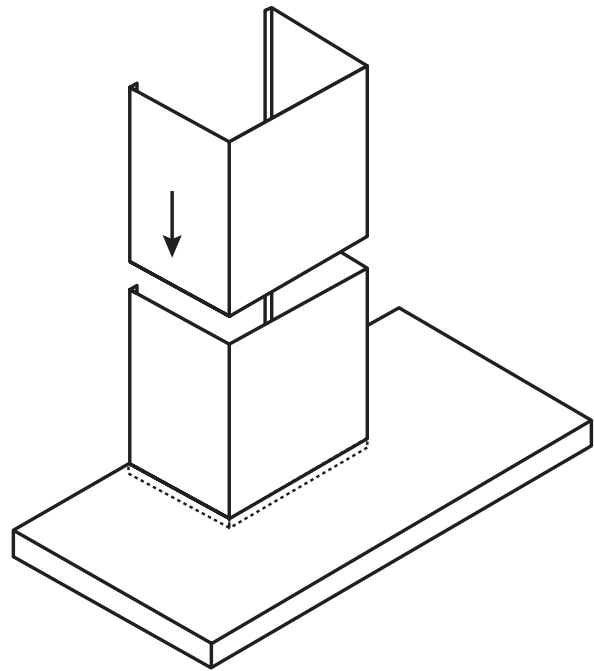
### Faulty Installation

It is not the responsibility of Schweigen to rectify any incorrect installations. A service call out fee will be charged for any Schweigen technician that attends a call, whereby it is established that the fault is due to an incorrect installation or non-manufacturing fault. Should the appliance be installed in such a way that the service agent is unable to gain access to the appliance, the person/s who own the premises or the property where the appliance resides – will be responsible to provide access to the appliance at their expense.

### Step 3

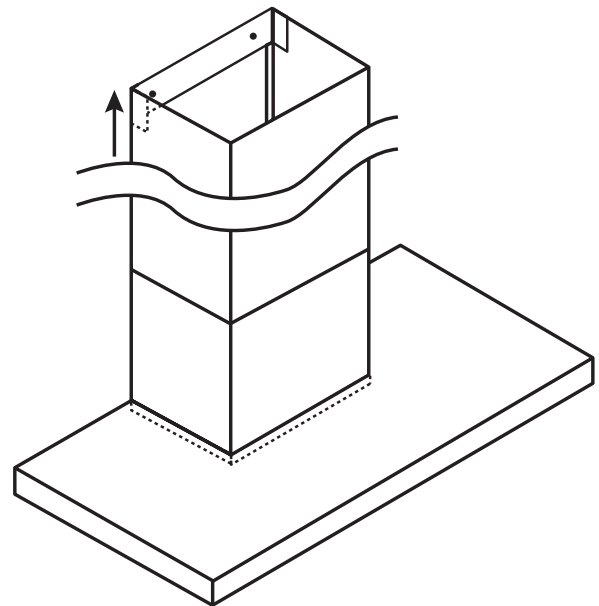
Place flue covers on the rangehood. (Be careful not to scratch the top of the rangehood).

**PLEASE NOTE:** Only a standard length of stainless steel flue is provided. Any additional length will need to be sourced and manufactured by a sheet metal fabricator.



### Step 4

Attach the exterior flue wall mounting bracket to the wall. Slide the inside extension flue piece up to the wall mounting bracket and secure.

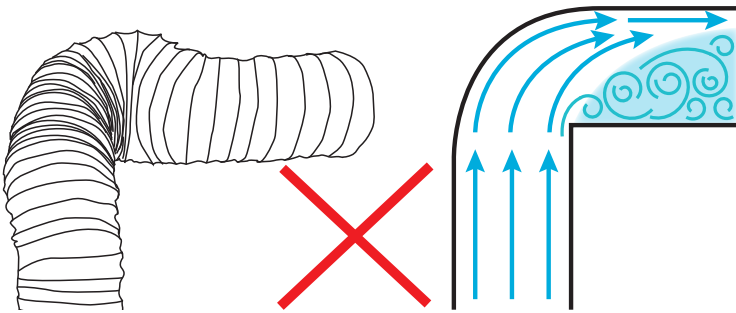


### IMPORTANT

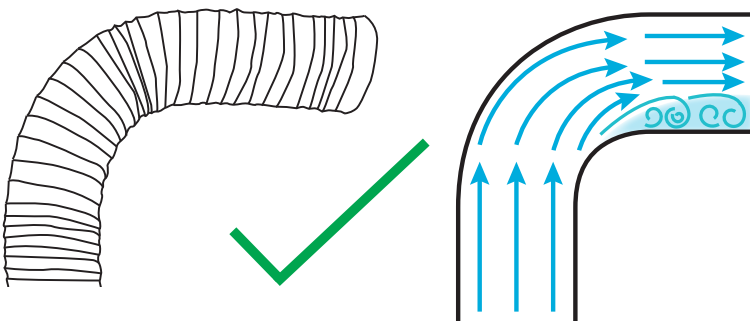
Please ensure all plastic protection on the rangehood and filters is removed before use.

### Ducting

Please **DO NOT** crush or kink the ducting.



1. Crushed or kinked ducting creates sharp corners that creates turbulence. This reduces the size and efficiency of the ducting, lowers extraction and may cause excessive noise.



2. Sweeping curves and taut ducting reduces resistance and turbulence. The airflow and extraction will be more efficient and stronger.

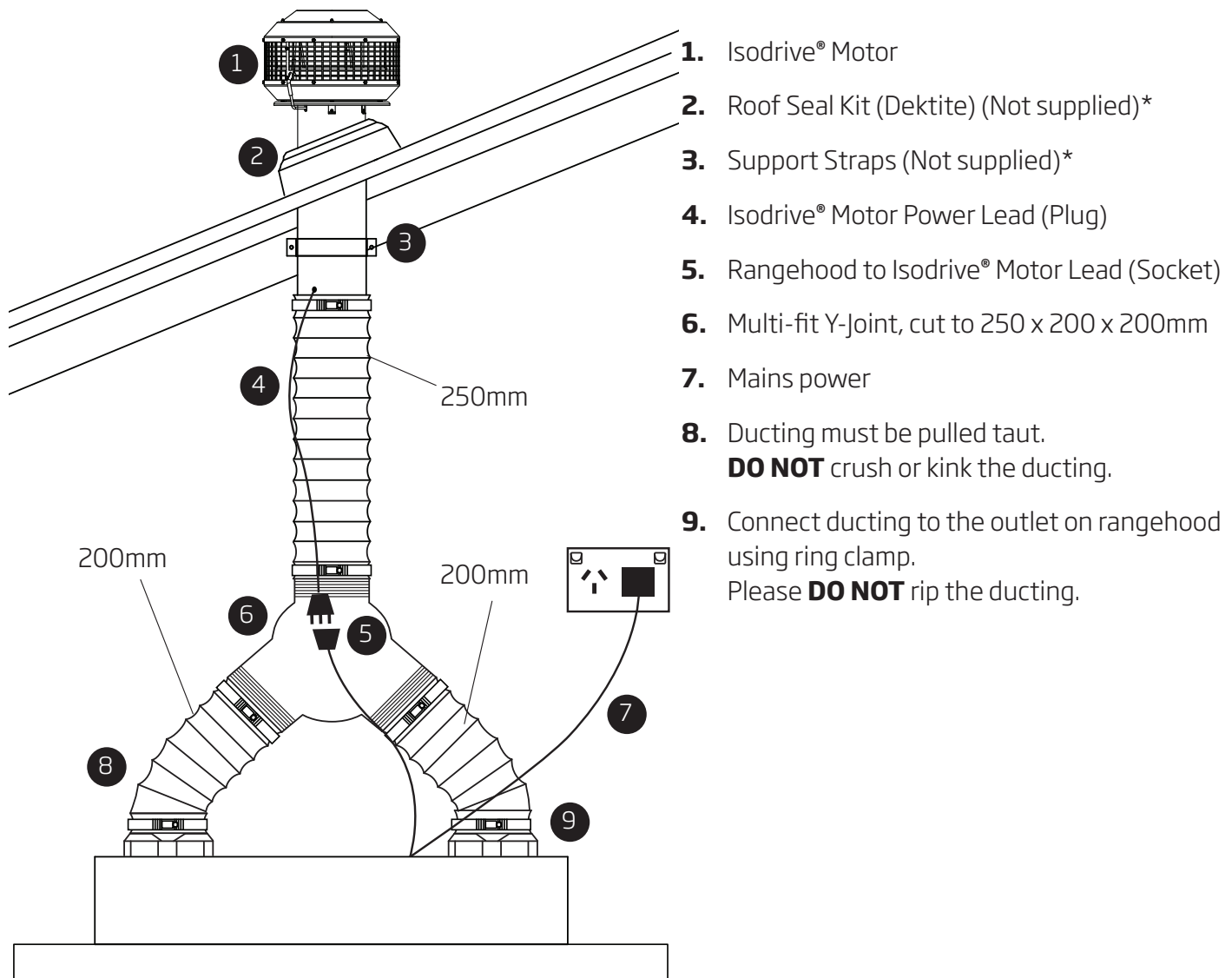
### Isodrive® Motor Setup



#### Note

Please refer to the Isodrive® motor installation guide for more details on ducting and Isodrive® motor installation.

## Single Isodrive® Motor Installation



### NOTE

The Isodrive® motor system does not include the roof seal kit, cable ties or the support straps.



### NOTE

The general power outlet for the rangehood should be located in an easy to access area.

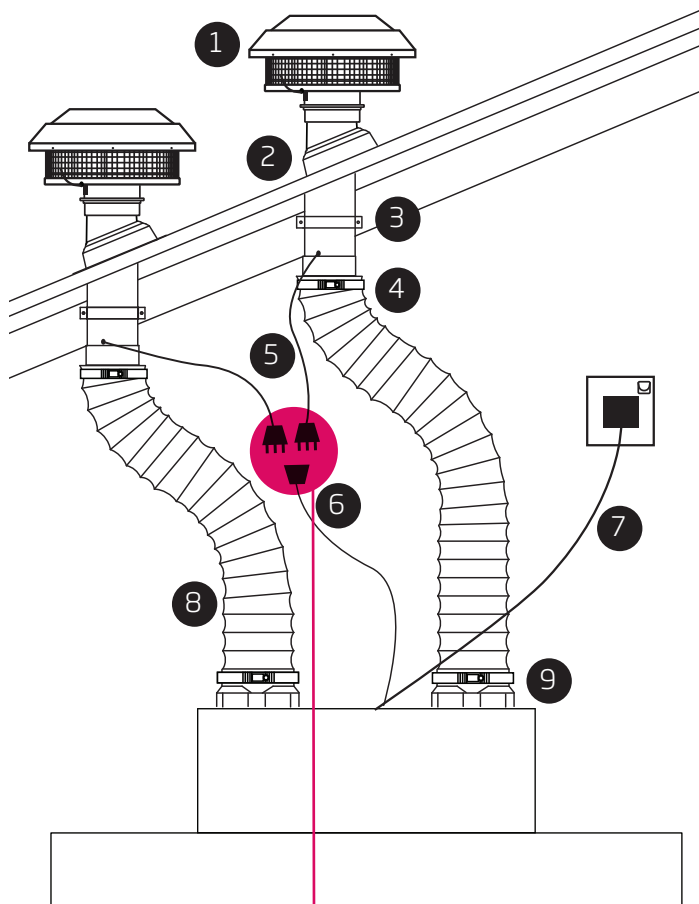


### DANGER

All electrical wiring from the motor to the rangehood should be kept inside the roof space.

## 7. Installation

### Twin Isodrive® Motor Installation



1. Isodrive® Motors
2. Roof Seal Kit (Dektite) (Not supplied)\*
3. Support Straps (Not supplied)\*
4. Attach Duct to pipe using ring clamp. Please **DO NOT** rip the ducting.
5. Isodrive® Motor Power Lead (Plug)
6. Rangehood to Isodrive® Motor Lead (Socket)
7. Mains power
8. Ducting must be pulled taut. **DO NOT** crush or kink the ducting.
9. Connect ducting to the outlet on rangehood using ring clamp. Please **DO NOT** rip the ducting.

Rangehood to Motor power leads are to be hard wired by an electrician.



#### NOTE

The Isodrive® motor system does not include the roof seal kit, cable ties or the support straps.



#### NOTE

The general power outlet for the rangehood should be located in an easy to access area.



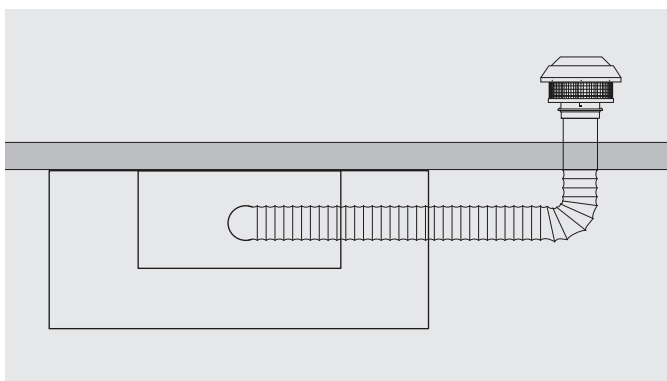
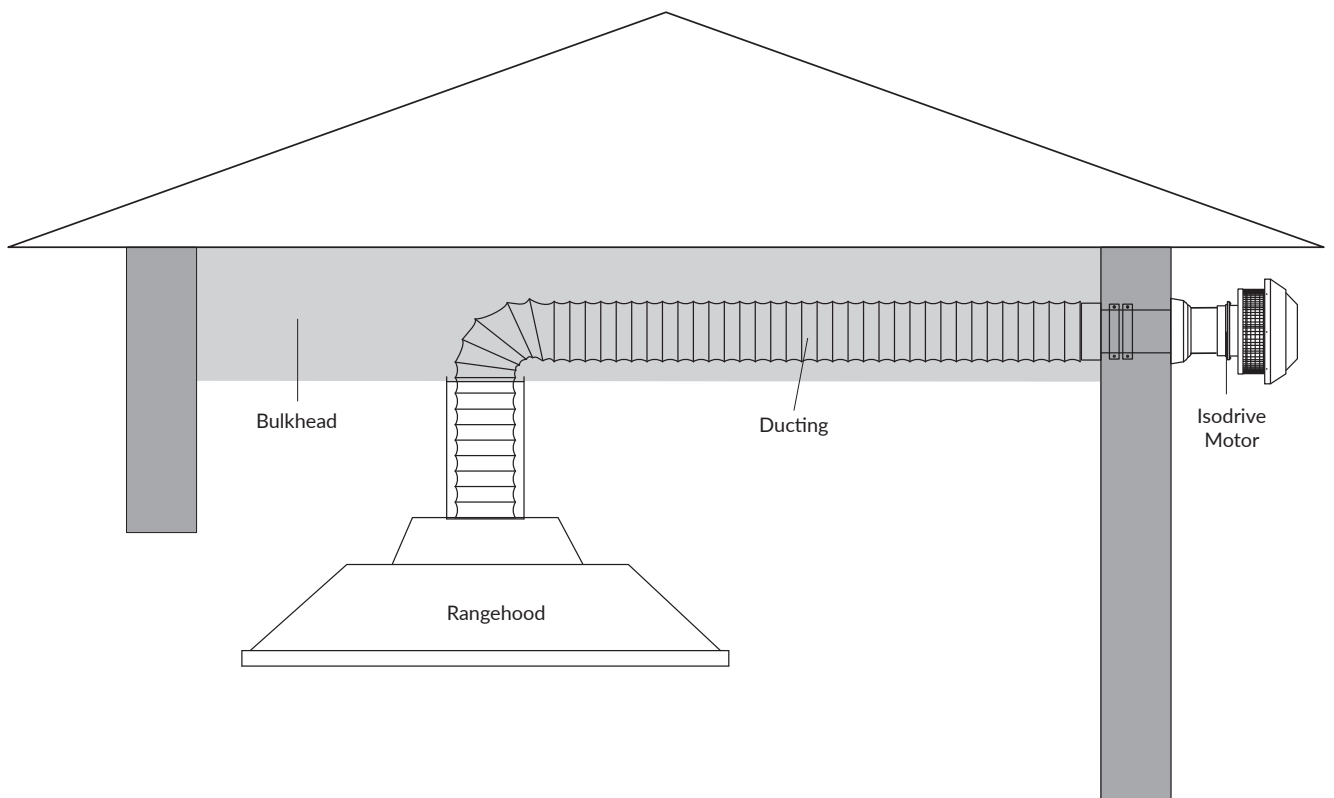
#### DANGER

All electrical wiring from the motor to the rangehood should be kept inside the roof space.

## Optional Wall Mounted Motor Installation

The Isodrive motor can optionally be installed mounted to a wall if a roof mount is not possible. The construction of a bulkhead is also recommended. The position of the motor can be to an external wall as shown below, or to the same external wall as the rangehood is mounted, as shown at bottom of the page.

For all wall installation options, please refer to the Isodrive® Motor manual. Avoid sharp bends and kinked ducting as this will affect extraction performance.



Top view for wall mounted installations on the same wall as the rangehood.

## 8. Troubleshooting

Before you contact the technical service department, make sure that the product is plugged in, and electric wiring is connected. Weak air suction may be caused by back draft fins remaining closed.

- Do not take any action that will damage the product.



### IMPORTANT

Never attempt to repair this appliance by yourself. Always refer to a qualified Service Technician.

	Check electric connection. Voltage of the electric network should be between 220 - 240V, rangehood should be connected to grounded plug and turned on.	Check motor switch. Please ensure that there is power to the rangehood and the rangehood is switched on.	Check light switch. Light switch should be at on position.	Check filters. The filters should be washed regularly, see filter cleaning.	Lights should be firmly in position.	Check Lights. Make sure they are not broken or faulty.	Please make sure there is no obstruction in ducting or with the back draft fins.	Check the outlet, make sure it is not blocked and you have the correct diameter ducting installed.	Check Isodrive® installation manual, make sure the ducting is installed correctly, e.g. Length of ducting used, keep the ducting taut.	Check the ducting has not come off the rangehood outlet or has been eaten through by rodents.
Rangehood does not work	X	X								
Light does not work	X		X		X	X				
Rangehood air exaction is weak				X			X	X	X	
Rangehood does not direct air out (through chimney)				X			X			
Loud noise from the rangehood								X	X	

## Service

### Lodging an Online Service Request

In the event that the failure is not due to the faults mentioned in the Troubleshooting section, you can lodge an online Service Request. To lodge an online Service Request, visit our website [www.schweigen.com.au/service-and-warranty](http://www.schweigen.com.au/service-and-warranty) and click on the link and complete the service request form.

A service request will require the following information:

- The purchase date
- The rangehood model and motor type (e.g. Isodrive® 1650)
- The serial number or batch number (this number is on a sticker inside the rangehood).
- A copy of the purchase receipt (without a receipt your service request cannot be processed).

Alternatively, you can call Customer Service:

**Australia**                    **1300 881 693**

**New Zealand**            **0800 259 644**

## Disclaimer

Under our policy of continuous product development, product specifications may change without notice. Prospective purchasers should therefore check with the retailer to ensure this publication correctly describes the products being offered for sale. All information supplied is to be used for general reference purposes only and is on the understanding that Schweigen Home Appliances will not be liable for any loss, liability or damage of whatever kind arising as a result of any reliance upon such information. All pictures used in the guide are for illustrative purposes only.

Although our information and marketing states the term 'Silent' for certain models, the following applies to various models that are sold with certain Isodrive® Systems and baffle filters. When a model with the larger motored Isodrive® System is operated at the higher speed/s air movement may be heard. For example, while operating on speed 4 & 5 (For 5 speed models) the rangehood may be audible due to the large amount of air movement moving through the filter.

\*Please make sure that the rangehood and motor have been installed as per the corresponding instruction guides in order for optimal performance (the Isodrive® Motor Manual can be found with the Isodrive® Motor, or online at [schweigen.com.au](http://schweigen.com.au)).

Schweigen Home Appliances has presented this information in good faith to all their retailers and distributors to convey before any/all purchase/s. Information is supplied upon the condition that the person/s receiving the information will make their own determination as to its suitability for their purpose/s prior to use. In no event will Schweigen Home Appliances be responsible for damages of any nature whatsoever resulting from the use of, or reliance upon, information from their website or the products to which the information refers.

## DISPOSAL OF OLD APPLIANCES

Electronic waste (or e-waste) including kitchen appliances are banned from direct disposal to landfill. E-waste contains hazardous materials, which can harm the environment and human health. Valuable materials contained in e-waste are lost when appliances, computers and other household electrical goods are sent to landfill.

Recycle your e-waste to:

- reduce landfill
- protect the air and waterways from harmful materials
- minimise consumption of raw materials to produce electronic products
- reduce greenhouse gases created in the production of new materials.

Kitchen appliances including Rangehoods and Ovens can only be disposed at approved recycling centres. Visit [www.recyclingnearyou.com.au/whitegoods](http://www.recyclingnearyou.com.au/whitegoods) for more information, or contact your local council or the store you purchased this appliance, for a list of approved recyclers.

# schweigen

**Australia** Unit 4/1-5 Lake Drive, Dingley Village, Victoria 3172.

**Phone** 1300 881 693 **Email** [sales@schweigen.com.au](mailto:sales@schweigen.com.au)

**Web** [www.schweigen.com.au](http://www.schweigen.com.au)

**New Zealand** Ground Floor, 165 The Strand, Parnell, Auckland 1010.

**Phone** 0800 259 644 **Email** [servicerequest@schweigen.co.nz](mailto:servicerequest@schweigen.co.nz)

**Web** [www.schweigen.co.nz](http://www.schweigen.co.nz)

Scan for more  
contact details

