

INSTALLATION GUIDE

Inline IL750

Inline IL1000

Inline IL1350

schweigen

www.schweigen.com.au

1. Welcome

Thank you for purchasing your new Schweigen Inline Motor System.

To get the maximum output from this unit, please read through this operating guide before use and installation.

The operating guide contains important information on the correct use and maintenance of the unit, as well as important safety notes. This will ensure your personal safety and the lasting value of your motor system.

Please always retain your proof of purchase to aid in any warranty queries.

This appliance and its packaging are produced by processes that minimise waste and respect the environment.

Please help us to continue this effort to protect the environment by using the appliance efficiently and dispose of the packaging in a responsible manner.

1. Welcome	2
2. Your Safety	
Before Installation	4
Electrical Cord	4
Motor Features	5
General Notes on Installation and Use	5
Recommended Installation Distance	5
Avoidance of Back Flow	6
Replacement of supply cord	6
Why Flexi-duct	6
3. Installation	
Inline Motor System Overview	7
Options for Mounting the Inline Motors	8
Options for Mounting the Vents Outside	9
Dual Diffuser System Installation	10
4. Back Draft Shutter System	
Inline Backdraft Shutter	11
5. Flexible Ducting	
Flexible Ducting	12
Shallow Roof Space	12
6. Measurements	
Inline IL750 Motor	13
Inline IL1000 Motor	14
Inline IL1350 Motor	15
7. Warranty / Disclaimer	16

2. Your Safety



WARNING

Please read this section thoroughly before attempting to operate the appliance. Inspect your product upon receipt. Any damage or defects **MUST** be reported within **48** hours, or no claim will be recognised.

DO NOT INSTALL THIS APPLIANCE IF YOU FIND IT DAMAGED.

If this product is installed damaged, the supplier, nor the retailer, will be responsible for the costs associated with the repair, replacement, removal or re-installation of the appliances.

1. This appliance is not intended for use by person/s (including children) with reduced physical, sensory or mental capabilities, or lack of experience and/or knowledge. Unless the person has been given supervision or instruction concerning the use of the appliance by a person responsible for their safety. Children should be supervised to ensure that they do not play with the appliance, it is not a toy.
2. Air exhaust must be installed in accordance with local laws.
3. In order to avoid a hazard due to inadvertent resetting of the thermal cut-out, this appliance must not be supplied through an external switching device, such as a timer, or connected to a circuit that is regularly switched on and off by the utility.
4. precautions must be taken to avoid the back-flow of gases into the room from the open flue of gas or other fuel-burning appliances.

Before Installation

We recommend this appliance to be installed or repaired by an experienced Home Appliances technician.

Please see our website www.schweigen.com.au for experienced installers.

It is dangerous to modify any part of this appliance. Modification of any kind, will immediately void the warranty.

The manufacturer declines all responsibility in case of failure to adopt proper safety measures.

Ensure that the location in which this appliance is installed, has good and permanent ventilation.

Please consult local laws and regulations and install in accordance.

Use an electrical connector with earth that is correct for your location.

Check that the voltage in your area corresponds to the appliance as indicated on the rating label.

Electrical Cord

Ensure the supply cord is not exposed to heat, chemicals or sharp objects. If the supply cord is damaged, it must be replaced by the manufacturer, service agent or a similarly qualified person in order to avoid a hazard.

Motor Features

- Airflow is dependant on the installation and the ducting used
- Operating temperatures is from -40°C to +60°C, Operating humidity from 0% to 90% RH
- For inline IL750, using a single 150mm duct run, should attain 750m³/hr depending on the ducting installation, rated at 83W
- For inline IL1000, using a single 200mm duct run, should attain 1000m³/hr depending on the ducting installation, rated at 140W
- For inline IL1350, using a single 250mm duct run, should attain 1350m³/hr depending on the ducting installation, rated at 163W
- The use of a smaller ducting will result in a loss of airflow
- The Inline motor is a highly efficient PSC motor

General Notes on Installation and Use

This Inline motor is designed for vertical or horizontal mounting.

IL750 is suitable for connection to multiple duct runs with a minimum inlet area of 11,000 mm². Ducting runs should be more than 2 metres away from the unit (check with supplier if longer duct length is required).

IL1000 is suitable for connection to multiple duct runs with a minimum inlet area of 17,000 mm². Ducting runs should be more than 2 metres away from the unit (check with supplier if longer duct length is required).

IL1350 is suitable for connection to multiple duct runs with a minimum inlet area of 22,000 mm². Ducting runs should be more than 4 metres away from the unit (check with supplier if longer duct length is required).

Flexible ducting must be extended sufficiently to present a smooth air passage with bends of at least the radius of twice the diameter of the duct.

NOTE: Fan module and flexi-duct are acoustically matched. The use of semi-rigid or rigid ducting will result in increased noise levels and void the warranty. See installation instruction notes 'Why flexi-duct'.

Recommended Installation Distance

For IL750 motor, using 150mm ducting, **4 metres** is recommended from rangehood to motor.

For IL1000 motor, using 20mm ducting, **6 metres** is recommended from rangehood to motor.

For IL1350 motor, using 250mm ducting, **8 metres** is recommended from rangehood to motor.

NOTE: Installation closer than these distances will result in higher noise levels. Check with supplier if longer length is required. Do not reduce the duct size at any time and avoid sharp bends.

2. Your Safety

Avoidance of Back Flow

Exhaust fans may adversely affect the safe operation of appliances burning gas or other fuels (including those in other rooms) due to back flow of combustion gases. These gases can potentially result in carbon monoxide poisoning. After installation of an exhaust fan such as a partition fan or a duct fan, the operation of open flued gas appliances should be tested by a competent person to ensure that back flow of combustion gases does not occur.

jhgjjh

Replacement of supply cord

If the supply cord is damaged, it must be replaced by a service agent or suitably qualified person in order to avoid a hazard.

Why Flexi-duct

Some internet sites strongly recommend the use of rigid ducting over fully flexible ducting.

The use of a complete rigid or semi-rigid ducting system will cause an organ piping effect to occur; like a didgeridoo, where a noise is produced at one end of a hollow rigid pipe and the noise is amplified out the other.

Warning: Installation without the use of at least the minimum recommended length of acoustically matched flexi-ducting will void performance expectations. Any installation problems must be reported to Schweigen. Call outs relating to incorrect installation will result in a service fee direct to the customer. Schweigen takes no responsibility for problems caused by faulty installation. Faulty installation may void warranty. An experienced installer list can be obtained from the Schweigen website www.schweigen.com.au or call **1300 881 693**.

Inline Motor System Overview

For ease of installation, the inline motor can be fixed inside the roof cavity/Bulkhead in different ways, providing the inline motor is protected from the elements. The motor uses mounting brackets to fix it securely to the predetermined location and this location must be accessible. To mount the motor, drill the holes in the mounting surface to match the 4 fitment holes of the fixing brackets, and then fix the motor with the screws.

After deciding the location of the motor (no closer than 2 metres for IL750/IL1000/IL1350 from the diffuser or rangehood), the motor should be mounted as close as possible to the venting point (make sure enough space for inline backdraft shutter), while still providing access to perform maintenance.

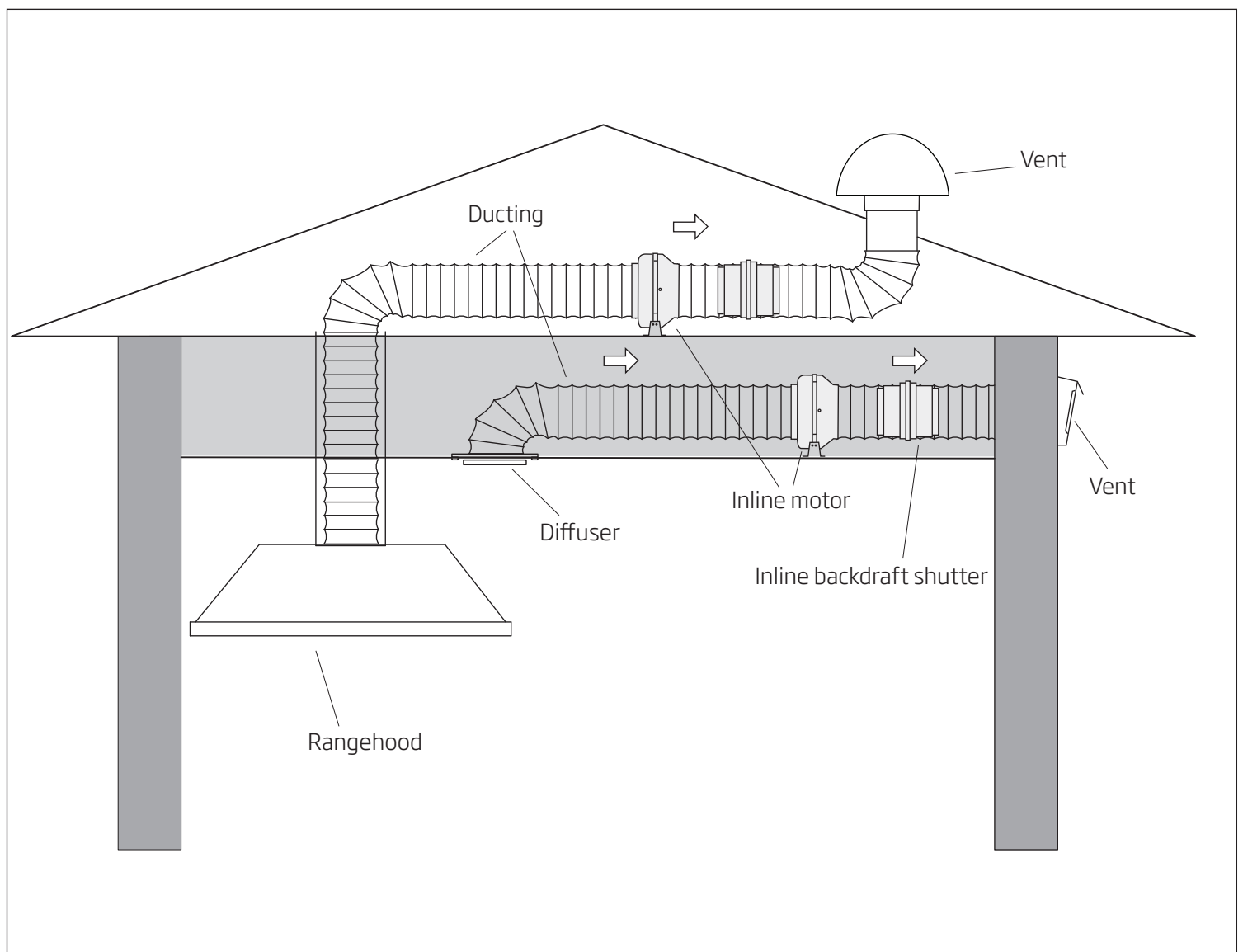


Figure 1 Inline motor system



NOTE

The Inline motor does not include the ducting, rangehood, diffuser, backdraft shutter or the vent, all those parts are optional.

3. Installation

Options for Mounting the Inline Motors

The inline motor is designed for vertical or horizontal mounting. Airflow in the system must be in compliance with the direction of the arrow on the fan casing. Install a hood on outlet (discharge) spigot side in case of the vertical fan installation.

The motor should ideally be located closer to the venting point for maximum air movement and minimum noise level inside the room.

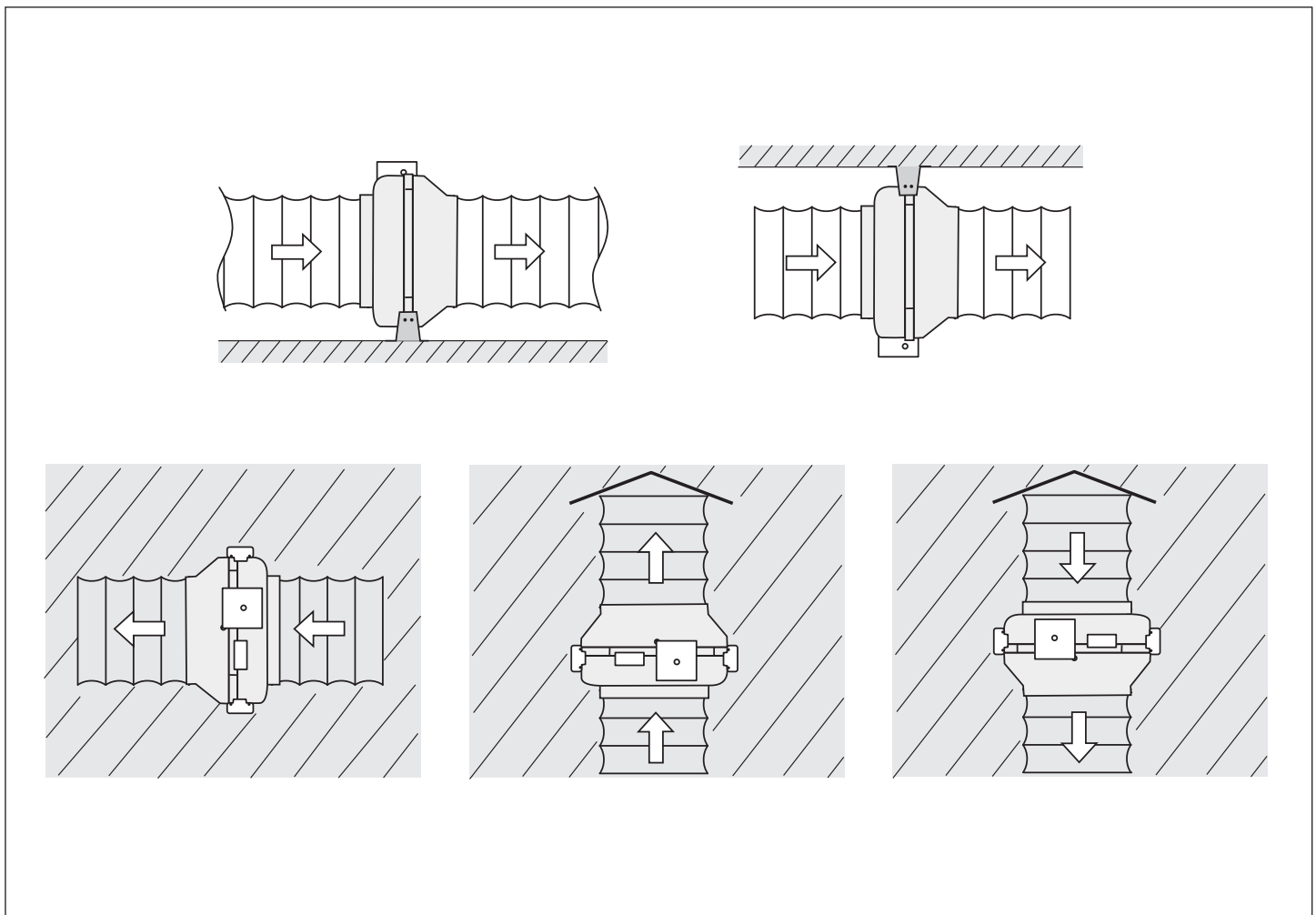


Figure 2 Options for mounting the inline motors

Options for Mounting the Vents (Optional)

Three types of vents can be mounted for roof, eave and wall respectively to suit every style of home.

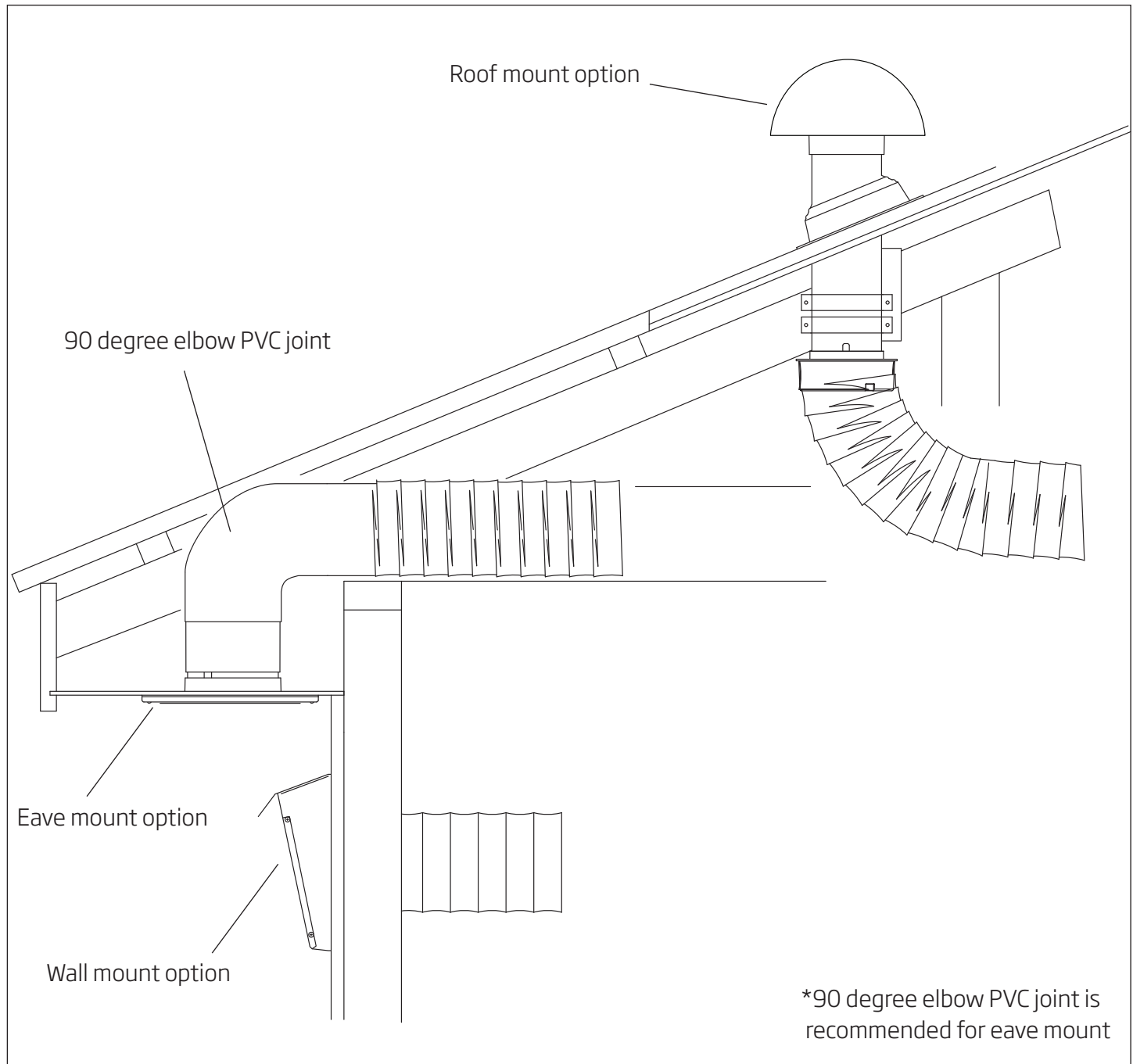


Figure 3 Options for mounting the vents outside

3. Installation

Dual Diffuser (Optional) System Installation

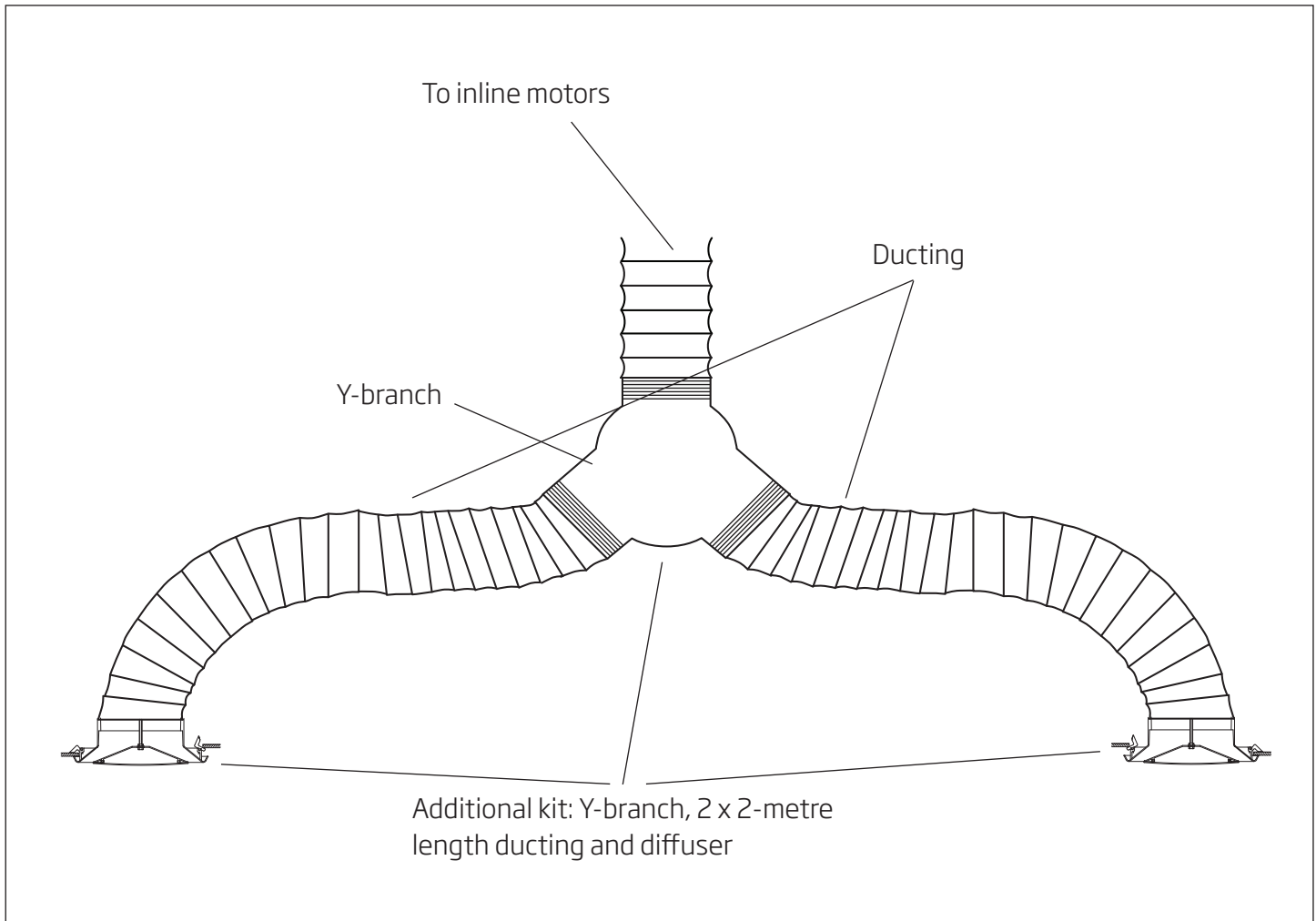


Figure 4 Ventilation Option for Dual Diffuser



IMPORTANT

- Do not reduce the ducting size. Reducing the ducting will reduce extraction
- No sharp bends in the ducting
- Do not kink the ducting
- Do not use semi-rigid or solid ducting

Inline Backdraft Shutter (Optional)

The inline backdraft shutter should be mounted on the outlet (discharge) side of the inline motor. Please refer to the direction of the arrow on the fan casing.

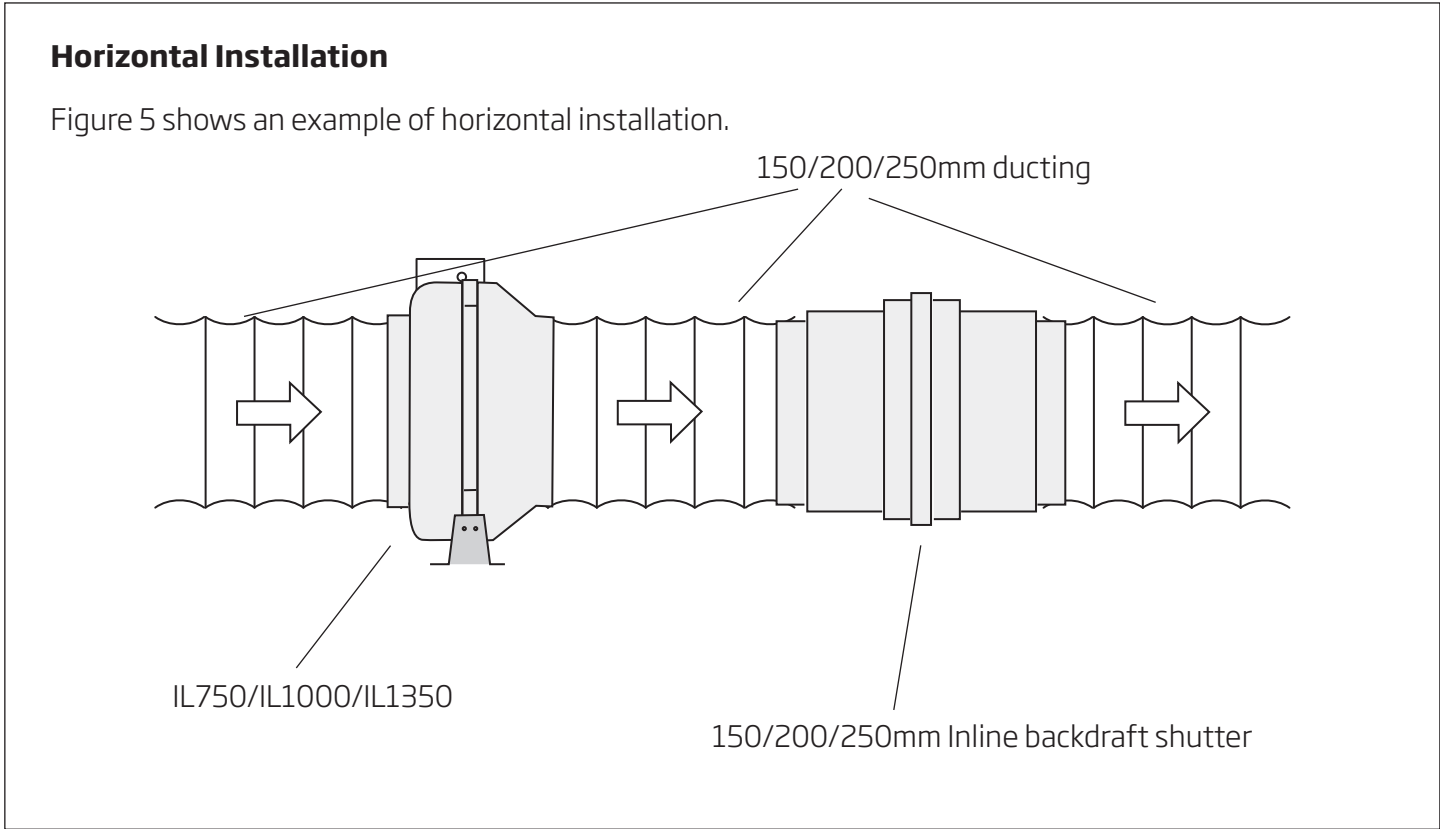


Figure 5

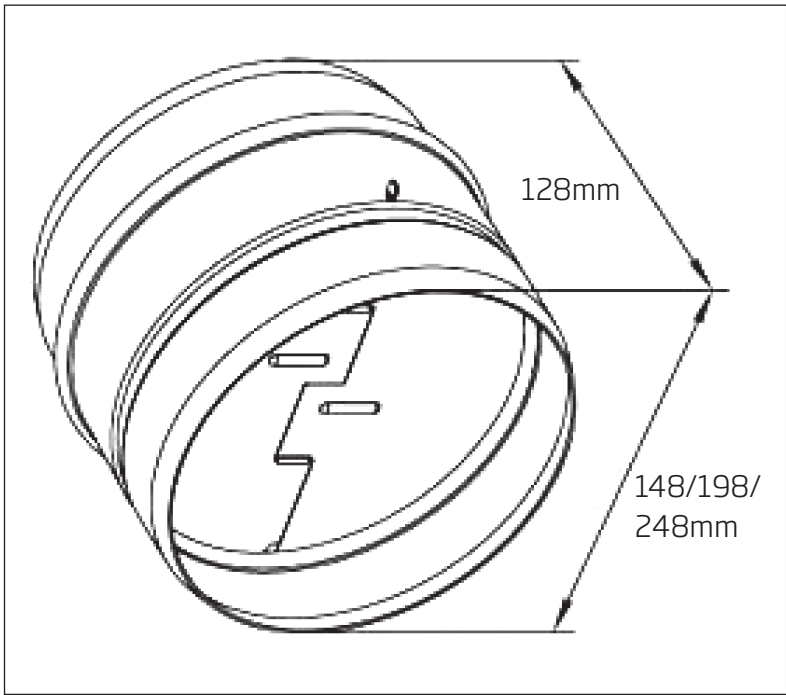
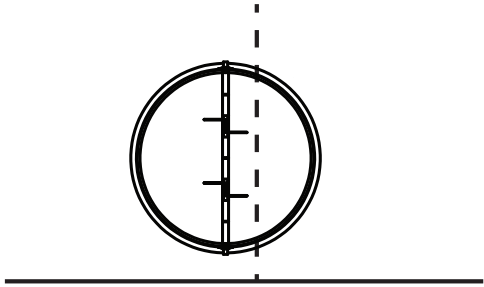


Figure 6



IMPORTANT

If shutter system is mounted in the horizontal position, shutter shaft should be vertical.

5. Flexible Ducting

Flexible Ducting (Optional)

Flexible ducting must be fully extended and cut to the required length upon installation. Maximum fan performance will not be achieved unless the ducting is fully extended. Failure to fully extend the ducting results in smaller air passage and lower airflow. Incorrect installation may reduce airflow and increase noise levels. Call outs relating to incorrect installation will result in a service fee directed to the customer. Schweigen will take no responsibility for problems caused by faulty installation. Installation must be carried out by a qualified technician. An experienced installer list can be obtained from Schweigen website www.schweigen.com.au.

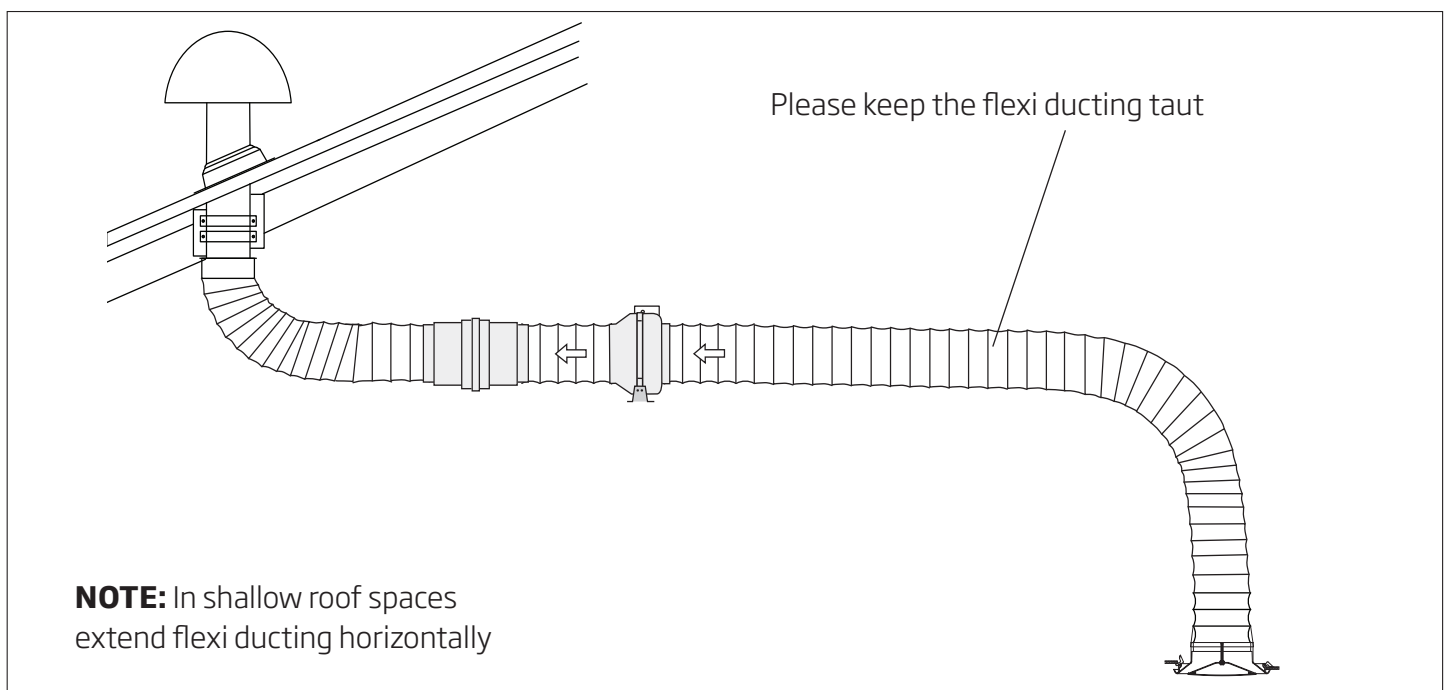
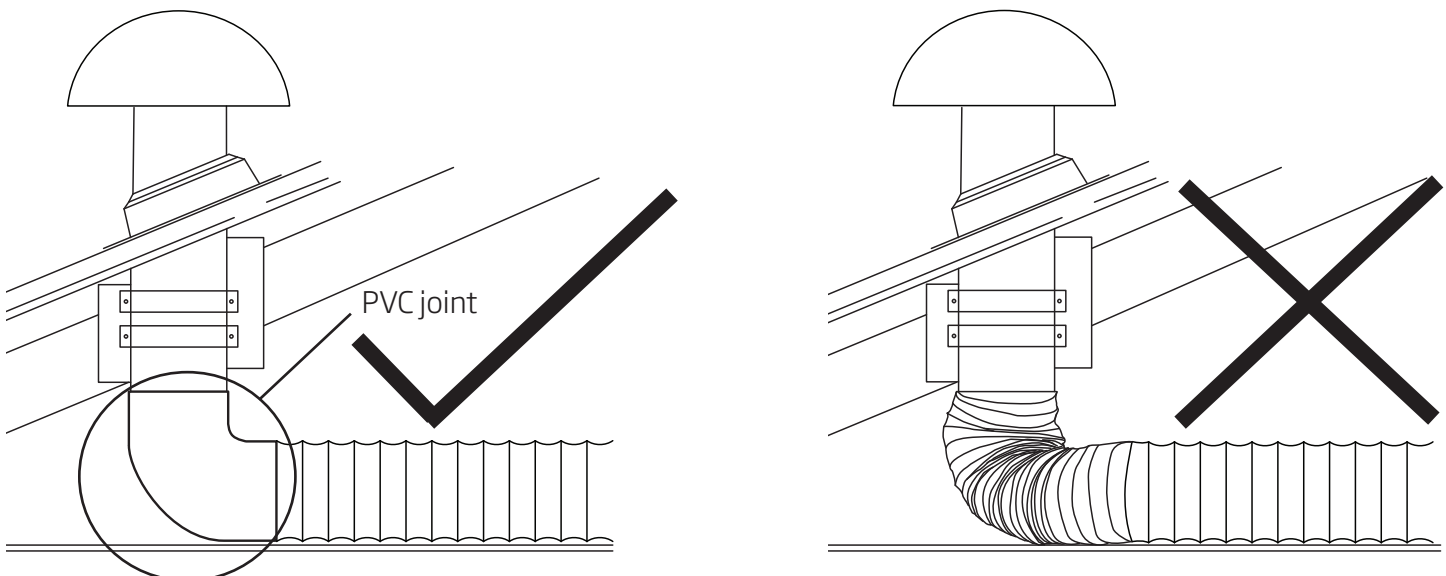


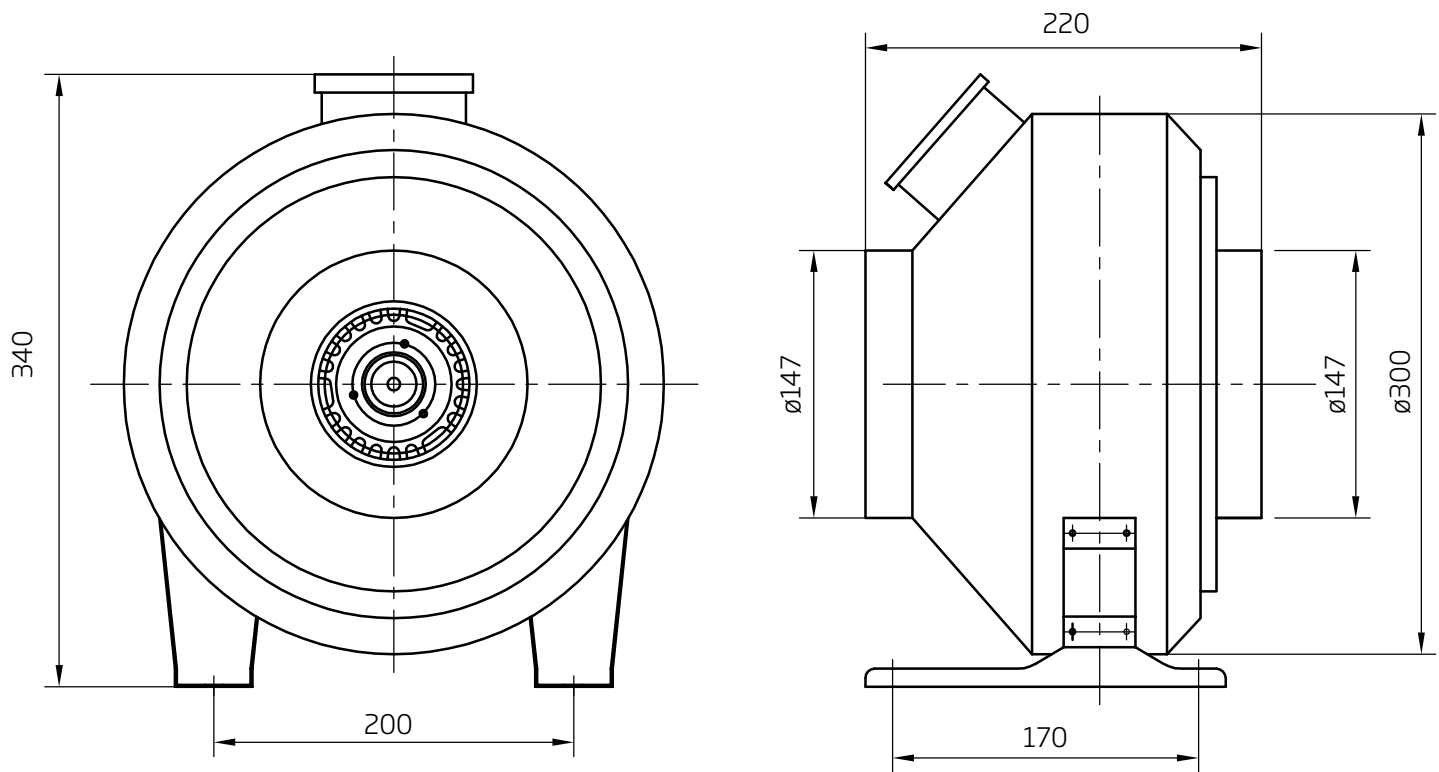
Figure 7 Flexible Ducting

Shallow Roof Space

In shallow roof spaces, 90 degree elbow PVC joint can be used as a substitute for the bend in roof venting installation.



Inline IL750 motor

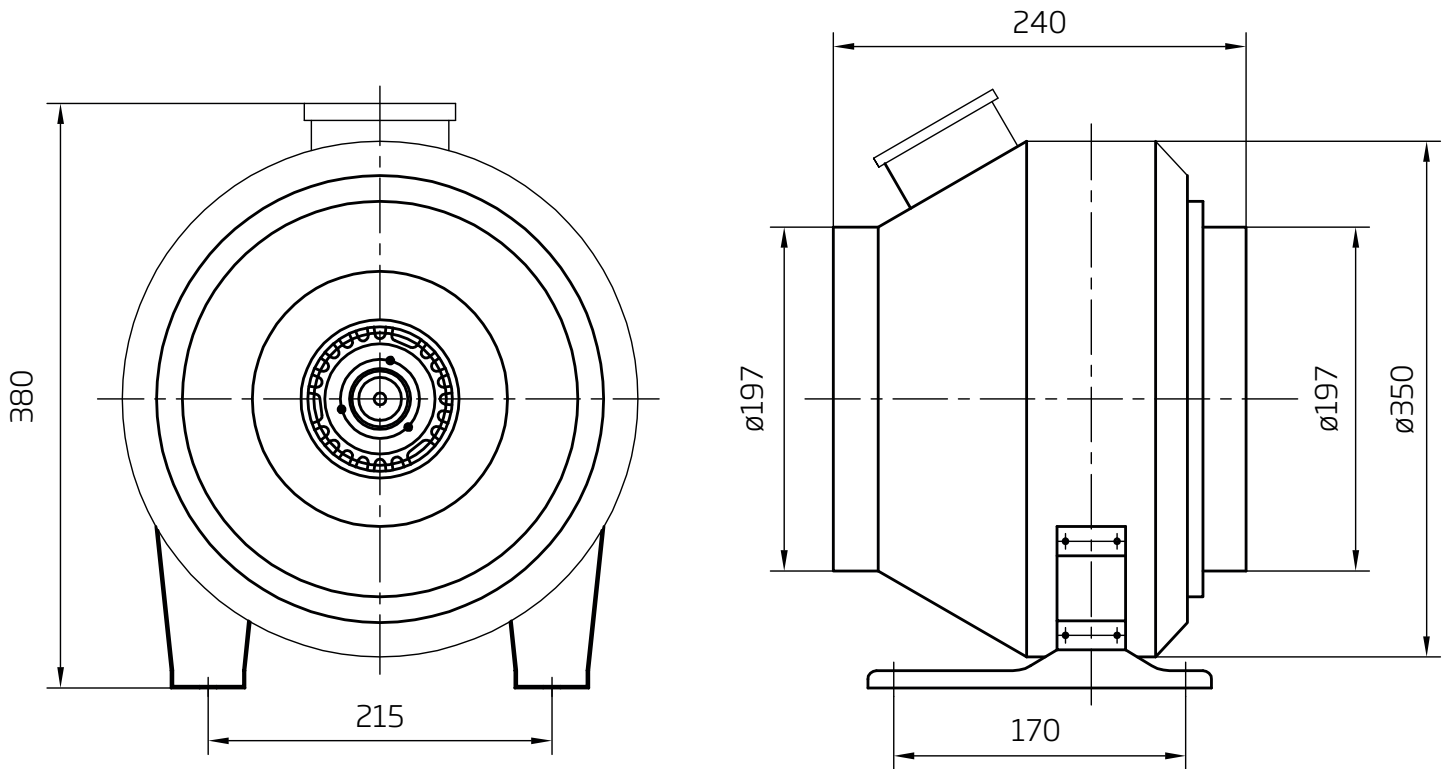


Technical Specifications

Model	IL750
Feeding Voltage	220-240V 50Hz
Rated Power	83W
Rated Speed	2470r/min
Rated Airflow	750m ³ /h

6. Measurements

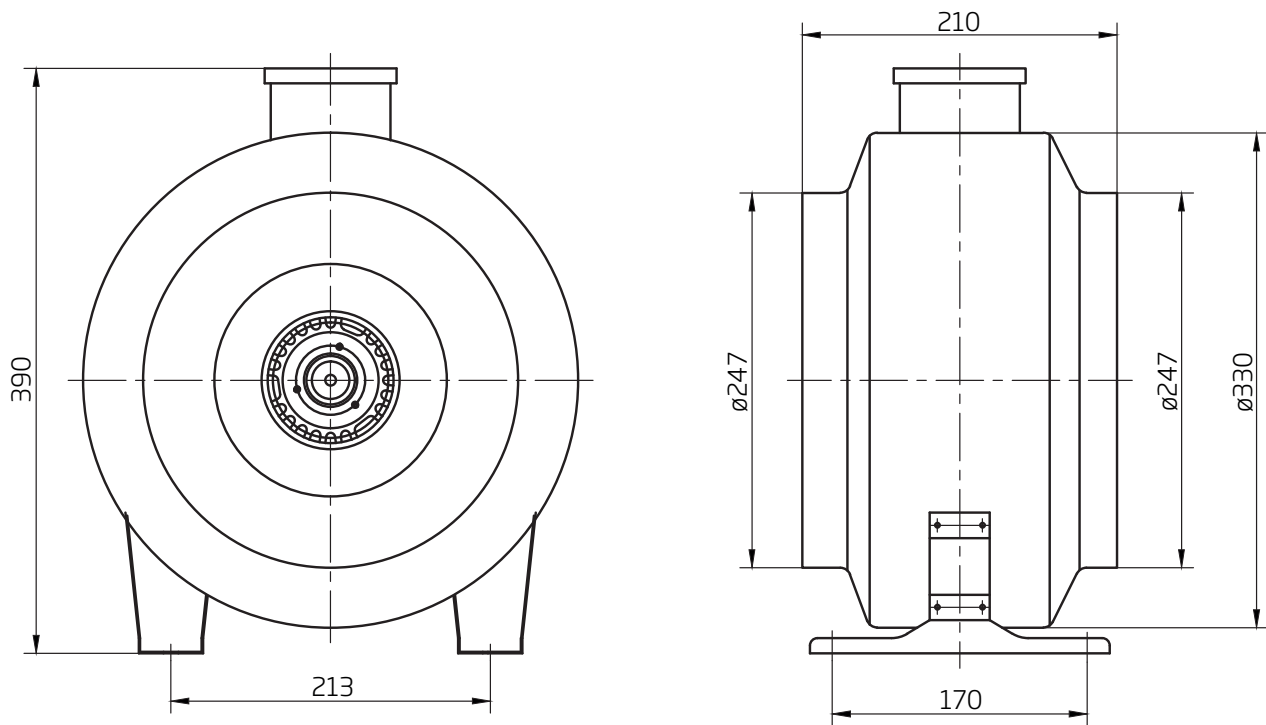
Inline IL1000 motor



Technical Specifications

Model	IL1000
Feeding Voltage	220-240V 50Hz
Rated Power	140W
Rated Speed	2600r/min
Rated Airflow	1000m ³ /h

Inline IL1350 motor



Technical Specifications

Model	IL1350
Feeding Voltage	220-240V 50Hz
Rated Power	163W
Rated Speed	2550r/min
Rated Airflow	1350m ³ /h

7. Warranty / Disclaimer

Calling the Technical Assistance Service Hotline

In the event that the failure is not due to the faults mentioned in Trouble Shooting, contact Customer Service.

Australia Customer Service: 1300 881 693

New Zealand Customer Service: 0800 200 510

Lodging an online Service Request

In the event that failure is not due the reason/s in the trouble shooting section, you can lodge an online Service Request.

To lodge a Service Request, visit our website www.schweigen.com.au/pages/support/service-warranty and click on the link to download the service request form.

A service request will require the following information:

- The purchase date
- The appliance model and motor type
- The appliance serial number or batch number (this number is on a sticker inside the appliance)
- A copy of the purchase receipt (without a receipt your service request cannot be processed)

Faulty Installation

It is not the responsibility of Schweigen Home Appliances to rectify any incorrect installations. A service call out fee will be charged for any Schweigen technician that attends a call, whereby it is established that the fault is due to an incorrect installation or non-manufacturing fault. Should the appliance be installed in such a way that the service agent is unable to gain access to the appliance, the person/s who own the premises where the appliance resides – will be responsible to provide access to the appliance at their expense.

Warranty (See insert for more information)

The Inline motor has a 5-Year replacement product warranty for domestic use. This is a change over warranty. The consumer is responsible for any charges associated with removal of the faulty unit and installation of the new unit. The customer is also responsible for any freight charges incurred in the change over process. To view the latest Warranty terms, please visit schweigen.com.au/support/service-and-warranty.

Disclaimer

Under our policy of continuous product development, product specifications may change without notice. Prospective purchasers should therefore check with the retailer to ensure this publication correctly describes the products being offered for sale. All information supplied is to be used for general reference purposes only and is on the understanding that Schweigen Home Appliances will not be liable for any loss, liability or damage of whatever kind arising as a result of any reliance upon such information. All pictures used in the guide are for illustrative purposes only.

Notes



schweigen

Australia 4/1-5 Lake Drive, Dingley Village, Victoria 3172. **Phone** 1300 881 693
Email sales@schweigen.com.au **Web** www.schweigen.com.au

New Zealand 5 Tolich Place, Henderson, Auckland 0610. **Phone** 0800 200 510
Email info.parex@emerson.com **Web** www.parex.co.nz

Revision V2 02/06/23