

schweigen 

PASSIONATE PRECISION

KLS-9GLASS KLS-9GLASSBLKS

Rangehood & Installation Guide

**Scan for the latest
digital manual**



Under our policy of continuous product development, product specifications may change without notice. Please refer to the online version of the manual for the latest updates and specifications.



WELCOME	3	Roof Mounted Motor System Overview	20
YOUR SAFETY	4	Wall Mounted Motor System Overview	21
Before Installation	5	CONDENSATION INFORMATION	22
Product Use	6	Cooking with Induction Cooktops	22
Electrical Cord	6	TROUBLESHOOTING	23
DESCRIPTION	7	Troubleshooting	23
Rangehood	7	Service	24
SPECIFICATIONS	8	DISCLAIMER	25
Dimensions	8	Disposal of Old Appliances	25
Technical Specifications	8		
OPERATION	9		
Speed Control	9		
Electrical Touch Keypad	9		
Remote Control Usage	10		
Synchronisation of The Remote Control With The Rangehood	11		
Generating A New Transmission Code	11		
CLEANING & MAINTENANCE	12		
Cleaning the Interior	12		
Cleaning the Exterior	12		
Filters	13		
INSTALLATION	14		
Overhead Cabinet Rangehood Installation Position	14		
Rangehood Size Vs Cooktop Size	15		
Rangehood Installation Height	16		
Recommended Installation Height For Induction Cooktop	16		
Installation Of KLS-GLASS And KLS-GLASSBLKS	17		
Ducting	19		

Welcome

Thank you for purchasing your new Schweigen X rangehood.

To get the maximum output from this unit, please read through this guide before installation and use.

This guide contains important information on the use and maintenance of the unit, as well as important safety notes. This will ensure your personal safety and the lasting value of your rangehood.

We trust that you will enjoy your new Schweigen X rangehood.

PLEASE ALWAYS RETAIN YOUR PROOF OF PURCHASE TO AID IN ANY WARRANTY QUERIES.

If you are unable to locate your warranty card, one is available to download from our website www.schweigen.com.au.

This appliance and its packaging are produced by processes that minimise waste and respect the environment.

Please help us to continue our effort to protect the environment by using the appliance efficiently and dispose of the packaging in a responsible manner.

! Your State Regulatory Authority

Different Australian states have varying legislative requirements for the installation of rangehood ducting. Some will insist on ducting being vented externally (i.e. not in to the ceiling cavity); others will not. It is imperative that you check with your state building authority and/or private certifier to confirm their position.

! WARNING

Please read this section thoroughly before attempting to operate the rangehood. Thoroughly inspect your rangehood on delivery for any damage or defects. Any damage or defects **MUST** be reported within **48 hours**, or no claim will be recognised.

DO NOT INSTALL THIS APPLIANCE IF YOU FIND IT DAMAGED.

If this rangehood is installed damaged, neither the supplier, nor the retailer will be responsible for the costs associated with the repair, replacement, removal or re-installation of the rangehood.

1. This rangehood is suitable for installation in an indoor kitchen only.
2. There shall be adequate ventilation in the room when the rangehood is used at the same time as appliances burning gas or other fuels.
3. There is a risk of fire if cleaning is not carried out in accordance with the instructions.
4. Do not flambé under the rangehood. This will damage the rangehood and will not be covered by warranty.
5. Do not ignite burners that give off intense, uncontrolled flames beneath the rangehood.
6. Make sure that no flames emerge from the sides of pans.
7. Do not leave packaging materials (bags, corner brackets, etc) within reach of children.
8. This appliance is not intended for use by person/s (including children) with reduced physical, sensory or mental capabilities, or lack of experience and/or knowledge, unless the person has been given supervision or instruction concerning the use of the appliance by a person responsible for their safety. Children should be supervised to ensure that they do not play with the appliance, it is not a toy.
9. Exhaust air must not be discharged into an existing flue that is used for exhausting fumes from appliances burning gas or other fuels.
10. Air exhaust must be installed in accordance with local laws. Regulations concerning the discharge of air have to be fulfilled.
11. Accessible parts may become hot when used with cooking appliances.
12. Before performing any cleaning or maintenance operation, disconnect the rangehood from the mains the double-pole switch or by unplugging it.
13. Do not use the rangehood without the grease filters.
14. Keep the grease filters clean and follow the recommended cleaning frequencies.
15. Turn the rangehood motor on before starting to cook.
16. Turn the rangehood motor off about 10-15 minutes after you finish cooking.
17. The rangehood is not to be used as an aspirator.
18. Never cook foodstuff directly over the flame or have the gas burners on under the rangehood without using cookware.

BEFORE INSTALLATION

1. We recommend that this rangehood be installed or repaired by an experienced Home Appliance technician.
2. Please see our website www.schweigen.com.au | www.schweigen.co.nz for experienced installers.
3. It is dangerous to modify any part of this appliance. Modification of any kind, will void the warranty.
4. The manufacturer declines all responsibility in case of failure to adopt proper safety measures.
5. Ensure that the location of the rangehood has good ventilation.
6. Please consult state and federal regulations regarding installation of the rangehood and ducting.
7. Schweigen Home Appliances will not be responsible for installations executed by non-qualified installers and installations that fail to meet legislation requirements.
8. Any electrical work required to install this rangehood should be carried out by a qualified Electrician.
9. This appliance must be connected to an electricity supply with a ground connection.
10. The electrical technical data can be found inside the rangehood, after removing the grease filters.
11. The flexible power cable supplied is already connected internally and emerges from the rangehood near the air outlet tube.
12. Before installing the electrical connections, you should:
 - Always switch off power using the double-pole switch before maintenance and turn the power on again for normal use only when the maintenance has been completed.
 - Verify that the indicated electrical data coincides with the voltage values and frequency of the electrical circuit in the house where the rangehood is to be installed.
 - Check that the premises has electrical protection against short circuits and electrocution, pursuant to the applicable legislation.

PRODUCT USE

This rangehood is designed to be used in households and for non-commercial uses such as:

- Staff kitchen areas in shops, offices and other working environments.
- By clients in hotels, motels and other residential environments, excluding commercial kitchens.
- Bed and breakfast type environments.

This rangehood is not designed for outdoor or alfresco installation.

Rangehoods and other cooking fume extractors may adversely affect the safe operation of appliances burning gas or other fuels (including those in other rooms) due to back flow of combustion gases. These gases can potentially result in carbon monoxide poisoning. After installation of a range hood or other cooking fume extractor, the operation of flued gas appliances should be tested by a competent person to ensure that back flow of combustion gases does not occur.

ELECTRICAL CORD

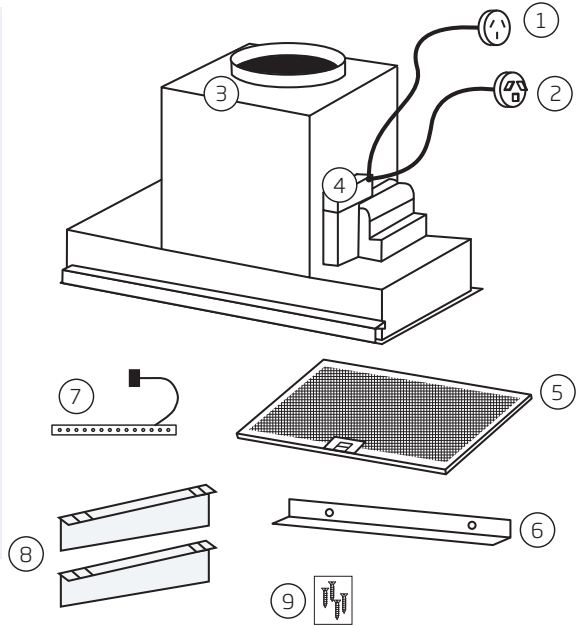
Ensure the power supply cord is not exposed to heat, chemicals or sharp objects. If the power supply cord is damaged, it must be replaced by the manufacturer.

Description

RANGEHOOD

1. Socket lead to Isodrive® motor
2. Main Power cord
3. Single 200mm outlet
4. Computer board*
5. Filter
6. Cabinet door protection strip
7. Light
8. Rangehood mounting brackets
9. Instruction and screws pack
10. Remote

NOTE: Filter and light quantity may vary from model to model.

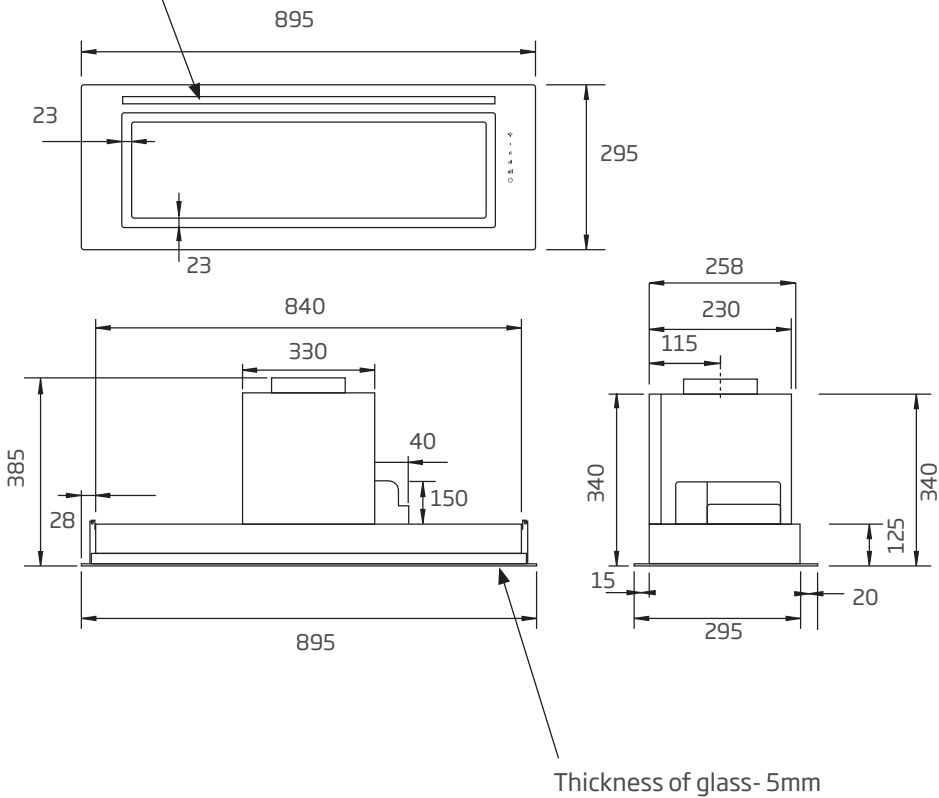


! IMPORTANT

The electronics **MUST** be accessible for servicing once installed, failure to do so, will result in any charges involved with accessing the part (removal of cabinetry etc.) being forwarded to the customer.

DIMENSIONS

Light towards the front of the rangehood



TECHNICAL SPECIFICATIONS

Model	KLS-9GLASS/KLS-9GLASSBLKS
Feeding Voltage	220-240V 50Hz
Lamp Power – LED (W)	1xLED Strip 726mm long 3.36W 12V 3000k

Operation

SPEED CONTROL

The rangehood has a 4-speed electronic keypad.

Speed control usage suggestions:

- Low speed for simmering.
- Medium speed for light cooking.
- High speeds for heavy frying or heavy cooking.

ELECTRICAL TOUCH KEYPAD

To obtain the best performance, switch the rangehood on a few minutes prior to cooking and leave running for at least 10 minutes after you have finished.

The buttons have the following functions:

A.- Light switch: Press this switch to turn the lights on and off.

B.- ON / OFF / button - speed 1: This button turns the rangehood on and off. The rangehood starts to operate at speed one.

C. D.- Speeds 2 and 3, respectively.

E.- Speed 4: This is a booster function. When this button is pressed, the light will flash, the rangehood will operate in booster mode/speed 4 for 8-10 minutes, and then back at the precedent automatically .

F.- Timer: When the timer mode is in operation, the timer button light will remain on. When this button is pressed, the rangehood will continue to operate for 10-15 minutes at the required speed, and then switch off automatically.

This rangehood has a device that lets you know when the grease filters must be cleaned. When the timer button (**F**) flashes, this means the filters must be washed (usually after 40 hours of operation).

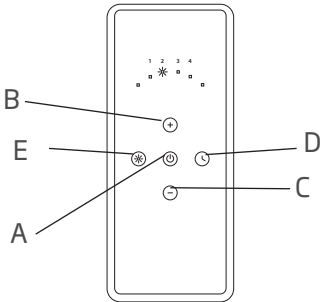
When the filters have been washed and re-mounted, hold the timer button (**F**) down for a few seconds to reset it and return the counter down to zero.



REMOTE CONTROL USAGE

Starting the rangehood for the first time using the remote control:

Put the safety switch ON (this switch is inside the main rangehood). Wait about 5 seconds for the circuit to test the memory.



The rangehood has a 4-speed remote control device. The buttons have the following functions (valid for all rangehood models with remotes):

- A. ON / OFF button:** This button turns the rangehood on and off. The rangehood will always be turned on at minimum speed.
- B. High-speed button:** This button increases the aspiration speed.
- C. Low-speed button:** This button decreases the aspiration speed.

NOTE: When increasing and decreasing the speed of aspiration always wait for

2 seconds after you have changed the speed to do so again.

- D. Timer button:** Activates the deferred stop function (after 10 minutes the rangehood will automatically stop).
- E. Light button:** Turns the rangehood lighting on or off.

If the remote control fails or the batteries run out, disconnect the rangehood using the safety switch inside the rangehood (which can be accessed from one of the filters) and replace the batteries.

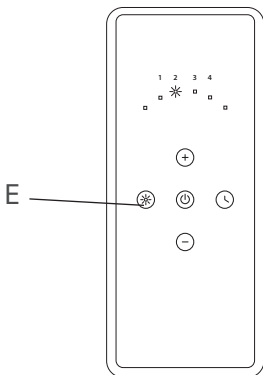
NOTE: To obtain the best performance, turn on the rangehood a few minutes prior to cooking and leave it on for at least 10-15 minutes after you have finished cooking

Operation

SYNCHRONISATION OF THE REMOTE CONTROL WITH THE RANGEHOOD

If the remote control fails or the batteries run out, disconnect the rangehood using the safety switch inside the rangehood (which can be accessed from one of the filters) and replace the batteries, then synchronise the remote.

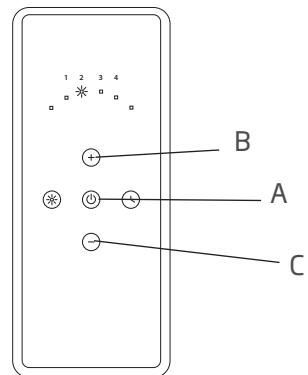
1. Switch OFF the circuit breaker.
2. Switch ON the circuit breaker.
3. Within the first 20 seconds of switching the circuit breaker back ON, please direct the remote control to the rangehood and hold the light or "E" button, until the rangehood lights switch on.



GENERATING A NEW TRANSMISSION CODE

In the unlikely event that the remote control interferes with other appliances. You can assign a new transmission code to prevent this happen. There are 8 different transmission codes for you to choose from.

4. Press and simultaneously hold buttons A, B and C until all lights on the remote control flicker at the same time.
5. After all lights light up, press the B and C buttons and the lights will flash 3 times to indicate that the process has been completed.



! WARNING

Always switch off and disconnect power to the rangehood before cleaning. The manufacturer is exonerated from all responsibility in the event of fire due to poor maintenance of the filters and rangehood.

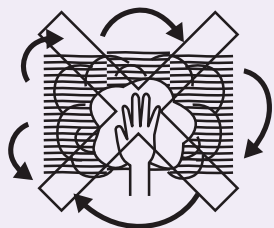
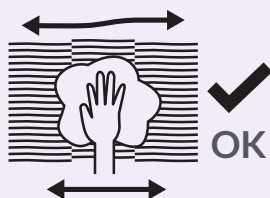
CLEANING THE INTERIOR

Clean the interior of the rangehood with a damp cloth and a neutral detergent.

NOTE: Do not use denatured alcohol on the exterior of the rangehood. Do not clean the electric parts or the motor with liquids or solvents.

CLEANING THE EXTERIOR

We recommended rinsing a soft cloth in water and liquid detergent. Wring dry before wiping surfaces dry. For better results, you can use high quality cleaning and protection products (eg. Steel Kleen) to clean your rangehood.



- The recommended detergent is a solution of water and a neutral liquid soap.
- It is very important for the liquid soap to not contain granules that could scratch the surface.
- First apply the solution to a soft cloth and then rub the cloth over the rangehood. It is important to follow the direction of the surface with the cloth (refer to figure on left).
- Do not pour any liquid directly on to the rangehood.
- The cloth must have no buttons, zips or fasteners that could scratch the surface.
- Chemical solvents, aggressive, grainy or abrasive products, naphtha, alcohol or similar products that could damage the surface of the rangehood should not be used.
- The manufacturer will not be held responsible for functional or aesthetic damage caused by cleaning with products which are not suitable or using inadequate cleaning methods.

Cleaning & Maintenance

FILTERS

- For your appliance to function effectively, regular maintenance is a must.
- The function of the filter is to absorb the grease particles emitted during cooking.
- Blocked filters and heavy oil deposits restrict airflow and may cause the motor to overheat and become a fire hazard.
- Filters should be cleaned every 3-6 weeks or after 40 hours of use.
- Disconnect the electrical connection before any maintenance or cleaning processes are carried out.
- In ceiling-mounted rangehoods, the doors or glass must be opened before accessing the filters.
- To remove the filter, (open the glass panel, figure 1, if required) press 'Catch A' towards the rear of the rangehood (removing the pins from the front guide), ease down slightly and remove. To replace, perform the same operation but

in reverse, see figure 2.

- For an induction cooktop, please aim to clean the filters at least every 10 days, depending on frequency of use.
- The filters can be washed by hand or in the dishwasher

Washing by hand - Immerse the filters in hot water and a suitable detergent, when clean, rinse with plenty of hot water.

Dishwasher - Put the filter in the dishwasher and select a short program at low temperature.

NOTE: The colour of the metal mesh filters may change after several washes. This is normal and it is not necessary to replace the filters.

Figure 1

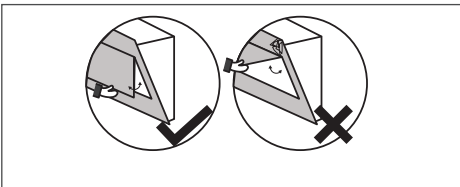
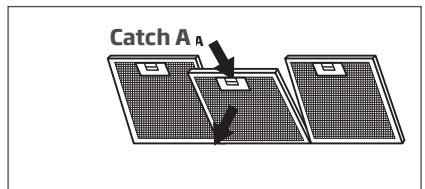


Figure 2

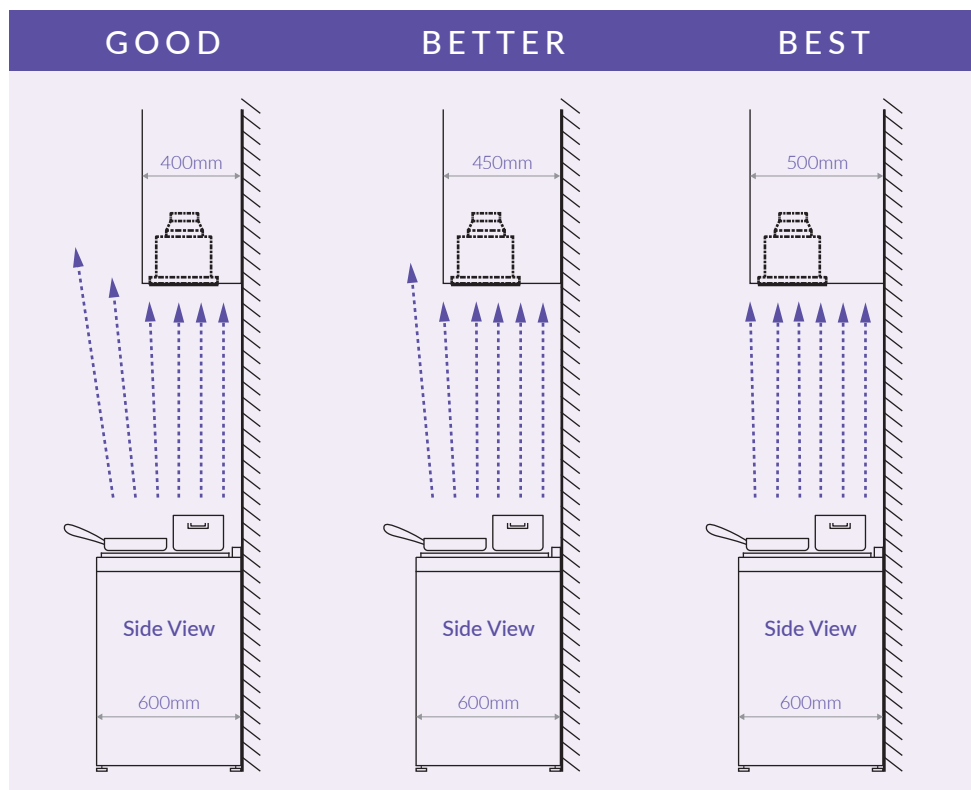


OVERHEAD CABINET RANGEHOOD INSTALLATION POSITION

The installation height and position of your rangehood will affect its performance. Schweigen recommends the rangehood be installed as close to the front of the cabinetry as possible. This will increase extraction efficiency as there will be greater coverage of the cooktop surface area.

As the diagram below shows, if deeper overhead cabinetry is built, and the rangehood is installed to the front of the cabinetry, a greater amount of air is extracted.

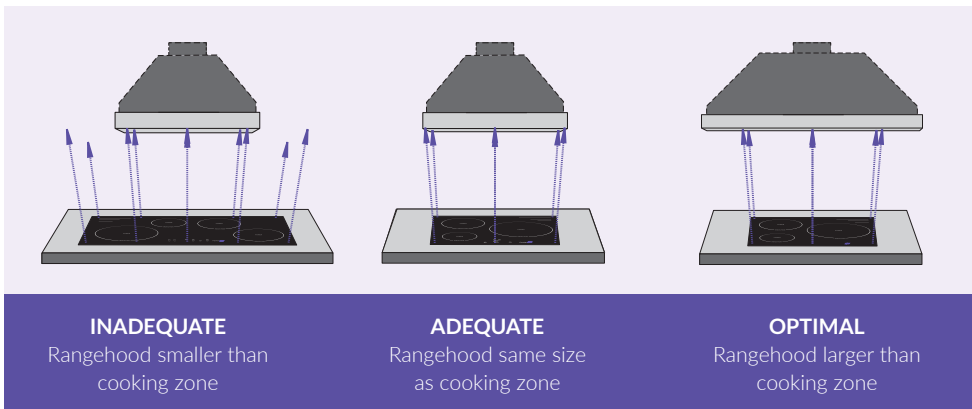
Please see the next page for Schweigen's recommended height for best performance.



Installation

RANGEHOOD SIZE VS COOKTOP SIZE

To ensure optimal functionality and air extraction, the correct sized rangehood must be installed. As the diagram below highlights, the larger the rangehood the better the air extraction. At a minimum, the rangehood should be as wide as the cooking zone. A larger rangehood will ensure the best extraction for all burners.



! IMPORTANT

In addition to the information in this manual, please check all relevant state requirements for minimum–maximum heights, as well as regulations regarding the expelling of air. Schweigen is not liable if your rangehood is not installed in accordance with these legal requirements.

! IMPORTANT

If the user decides to install the rangehood at a distance of less than minimum height above the cooking surface, Schweigen declines responsibility for any damage suffered by the rangehood due to excess heat or damage to objects, people and others caused directly or indirectly by a malfunction, breakage or fire.

RANGEHOOD INSTALLATION HEIGHT

It is **STRONGLY RECOMMENDED** that the rangehood be installed centrally over the cooktop. This will greatly improve its performance.

Minimum height from the cooktop surface to the underside face of the rangehood:

- 600mm electric cooktop
- 650mm gas cooktop

Any installation above 800mm will compromise the extraction performance.

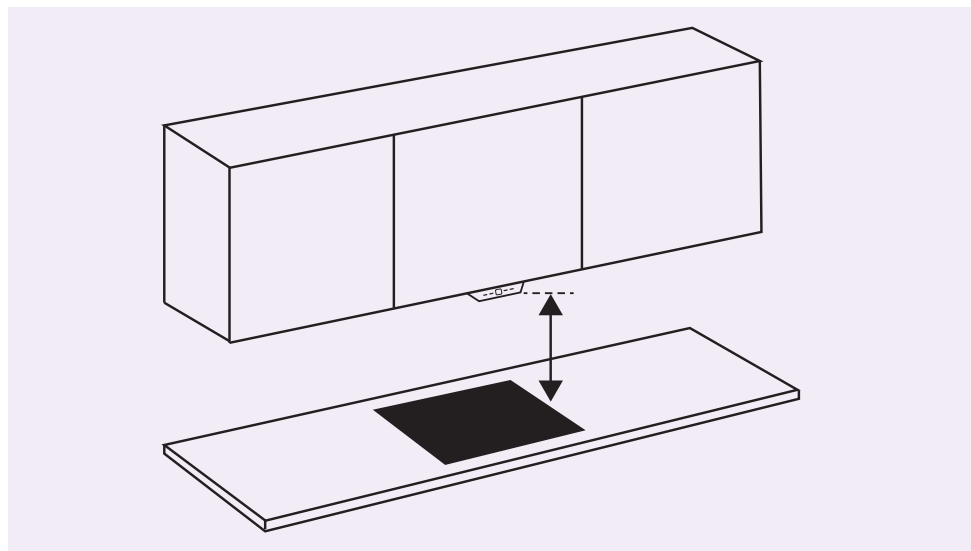
Note: If the instructions for the gas cooktop specify a greater distance, this must be taken into account.

! IMPORTANT

Measurements are from the top of the trivets to the lowest part of the rangehood, including the button controls.

RECOMMENDED INSTALLATION HEIGHT FOR INDUCTION COOKTOP

To help avoid condensation, particular to cooking with an induction cooktop, Schweigen recommends a height between 700-750mm. Refer to page 22 for further information.



Installation

INSTALLATION OF KLS-GLASS AND KLS-GLASSBLKS

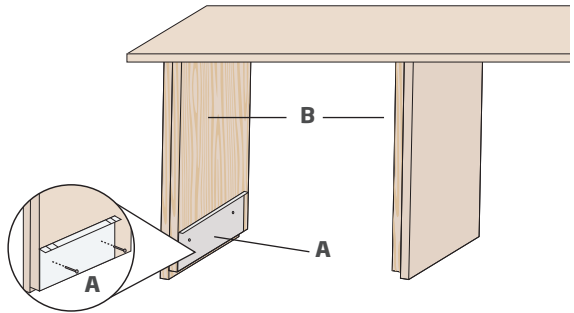
! IMPORTANT

Please read the installation guide thoroughly prior to installation. These models have a different method of installation compared to standard undermounts.

STEP 1

Fix the rangehood mounting supports (A) to the sides of the cabinet (B).

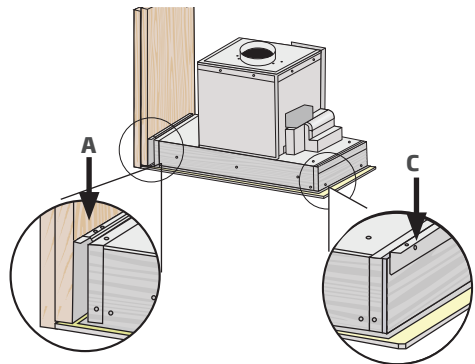
NOTE: The brackets need to be levelled and secured, in order to hold the entire weight of the undermount.



STEP 2

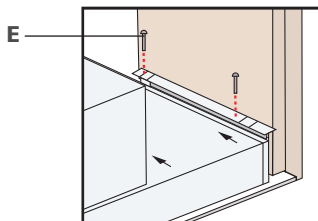
Secure mounting frame to inside of cabinet. Slide the undermount in from the front of the cabinetry, onto the rangehood mounting supports (A).

Line up the undermount bracket (C) with the holes on bracket (A).



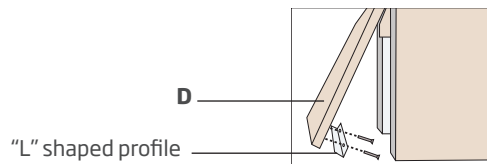
STEP 3

Fit the undermount in place, using the installation screws provided (E).



Protecting the Cabinet Door – Optional

A reversible “L” shaped profile is provided for optional cabinet door (D) protection.



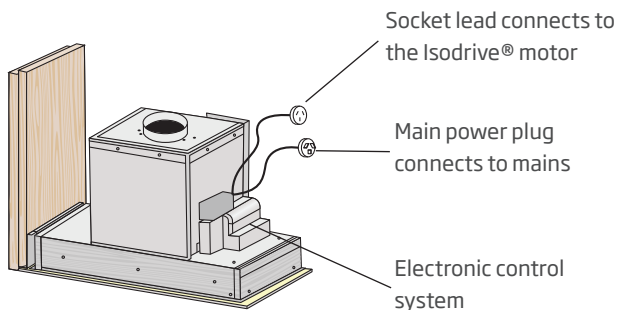
! IMPORTANT

Please ensure all plastic protection on the rangehood and filters are removed before use.

Step 4

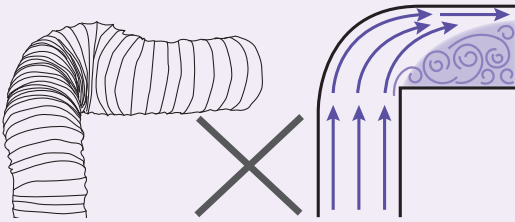
Once the rangehood is fitted into the cabinetry, connect the male and female power connections to the corresponding connections. Male to main power, female to Isodrive® motor. The ducting will attach to the outlet on the rangehood and the Isodrive® motor.

NOTE: The electronics need to be accessible after installation, in case a service is required.

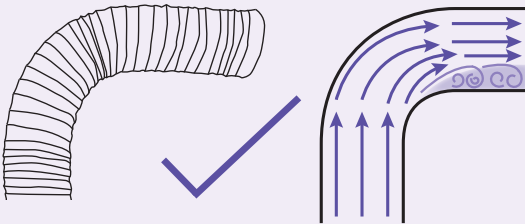


DUCTING

PLEASE DO NOT CRUSH OR KINK THE DUCTING

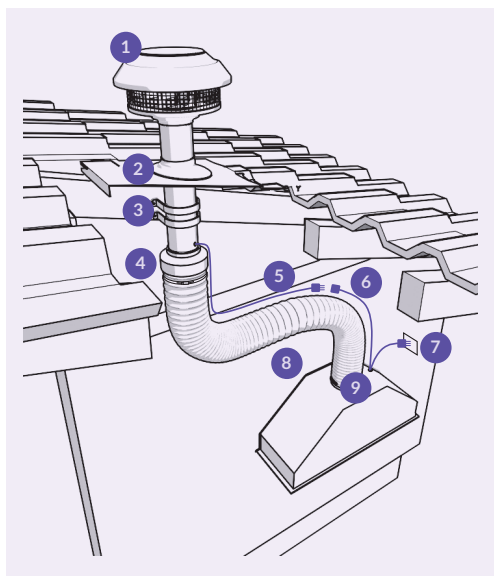


1. Crushed or kinked ducting or ducting with sharp corners create turbulence. This reduces the size and efficiency of the ducting, lowers extraction and can cause excessive noise.



2. Sweeping curves and taut ducting reduces resistance and turbulence. The airflow and extraction will be more efficient and stronger.

ROOF MOUNTED MOTOR SYSTEM OVERVIEW



1. Isodrive® motor
2. Roof seal kit (Dektite) (not supplied)*
3. Support straps (not supplied)*
4. Attach duct to pipe using ring clamp. Please do not rip the ducting.
5. Isodrive® motor power lead (plug)
6. Rangehood to Isodrive® motor lead (socket)
7. Main power lead (plug, 10 amp)
8. Ducting must be pulled taut. Do not crush or kink the ducting.
9. Connect ducting to the outlet on rangehood using ring clamp. Please do not rip the ducting.

! NOTE

* The Isodrive® motor system does not include the roof seal kit, cable ties, or the support straps.

The general power outlet for the rangehood should be located in an easy to access area.

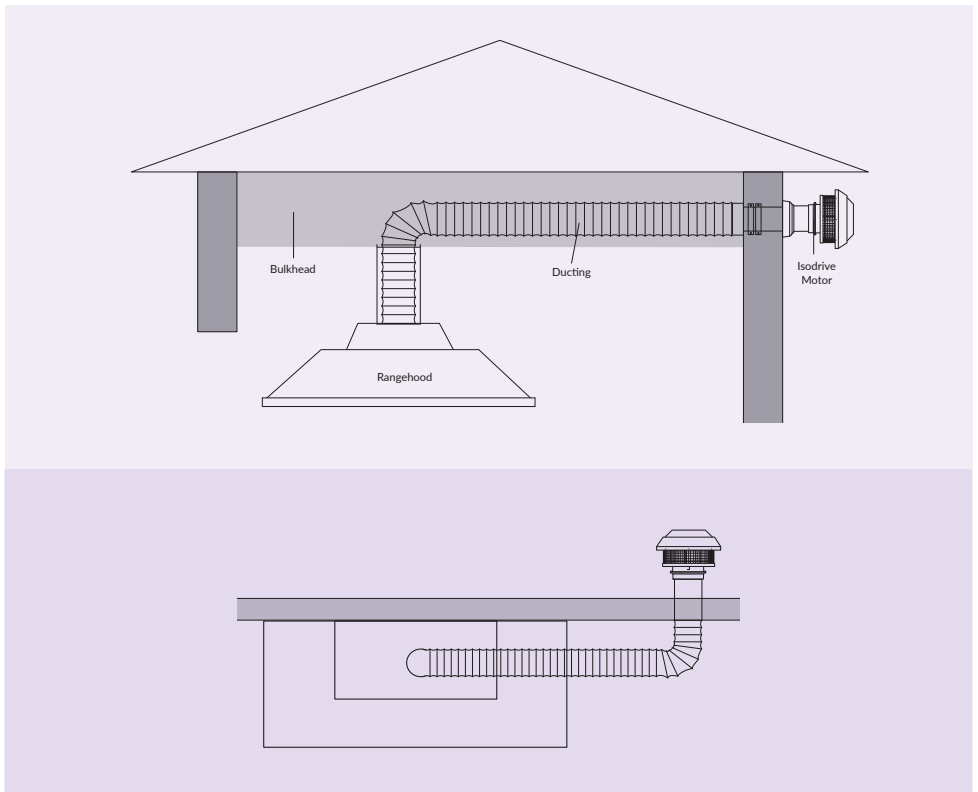
All electrical wiring from the motor to the rangehood should be kept inside the roof space.

Installation

WALL MOUNTED MOTOR SYSTEM OVERVIEW

The Isodrive motor can optionally be installed mounted to a wall if a roof mount is not possible. The construction of a bulkhead is also recommended. The position of the motor can be to an external wall, or to the same external wall as the rangehood is mounted, as shown below.

For all wall installation options, as well as recommended ducting lengths, please refer to the Isodrive® Motor manual. Avoid sharp bends and kinked ducting as this will affect extraction performance.



External wall mount examples. Please refer to the Isodrive® Motor manual for recommended ducting lengths. Images are for illustrative purposes only.

COOKING WITH INDUCTION COOKTOPS

Cooking with an induction or similar cooktop, may produce condensation on the rangehood.

Unlike basic electric or gas cooking, induction cooktops heat food and liquid instantly, which in turn, produces vapours rapidly. Because of this rapid process the rangehood filters do not have enough time to warm, which increases the chance of condensation forming.

There are many variables that may contribute to condensation forming, some of which include but are not limited to:

- Variance in climate – geographical location.
- Position of your home & kitchen – morning/afternoon sun.
- Installation distance from cooktop to the rangehood.
- Speed of food and liquid heating.
- Filter size – larger canopy preferred.
- Quality of pots or cookware you are using – high quality recommended.

HOW TO REDUCE THE POSSIBILITY OF CONDENSATION FORMING:

- Ensure the rangehood is installed by a qualified professional, carefully following the installation guide.
- Turn on the rangehood 5–10 minutes prior to cooking, and leave on for 5–10 minutes after cooking; this helps clear remaining vapours from the flue.
- Start the cooking process at a low-to-medium setting and allow time for the rangehood to warm up.
- Clean filters regularly.
- Ensure constant airflow in the cooking zone; this helps optimise the rate of extraction.
- Follow all induction cooktop manufacturer advice.

For further advice, tips or information regarding cooking with induction, please contact your induction cooktop manufacturer.

Troubleshooting

TROUBLESHOOTING

IF THE PRODUCT DOES NOT WORK:

Before you contact the technical service department, make sure the product is plugged in, and electric wiring is connected. Weak air suction may be caused by back draft fins remaining closed. Do not take any action that will damage the product.

The below table lists a number of commonly reported faults and their causes. Please check the list below before lodging a service request

	Check electric connection. Voltage of the electric network should be between 220–240V; rangehood should be connected to grounded plug and turned on.	Check motor switch. Please ensure that there is power to the rangehood and the rangehood is switched on.	Check light switch. Light switch should be at the on position.	Check filter. Filter should be washed regularly; see filter cleaning.	Check lights. LED should be firm.	Check outlet. Outlet should be open.	Check LED. Make sure they are not broken or faulty.	Please make sure there is no obstruction in ducting or back draft fins.
Rangehood does not work	X	X						
Light does not work	X		X		X		X	
Rangehood air suction is weak				X		X		
Rangehood does not direct air out (through chimney)				X				X

SERVICE

LOGGING AN ONLINE SERVICE REQUEST

In the event that the failure is not due to the faults mentioned in the Troubleshooting section, you can lodge an online Service Request.

To lodge an online Service Request, visit our website www.schweigen.com.au/service-and-warranty and click on the link and complete the service request form.

Alternatively, you can call Customer Service:

Australia 1300 881 693

New Zealand 0800 259 644

A service request will require the following information:

- The purchase date
- The rangehood model and motor type (eg. Isodrive® 1650)
- The serial number or batch number (this number is on a sticker inside the rangehood).
- A copy of the purchase receipt (without a receipt your service request cannot be processed).

FAULTY INSTALLATION

It is not the responsibility of Schweigen to rectify any incorrect installations. A service call out fee will be charged for any Schweigen technician that attends a call, where it is found that the fault is due to an incorrect installation or non-manufacturing fault. Should the appliance be installed in such a way that the service agent is unable to gain access to the appliance, the person/s who own the premises or the property where the appliance resides, will be responsible to provide access to the appliance at their expense.

Disclaimer

Under our policy of continuous product development, product specifications may change without notice. Prospective purchasers should therefore check with the retailer to ensure this publication correctly describes the products being offered for sale. All information supplied is to be used for general reference purposes only and is on the understanding that Schweigen Home Appliances will not be liable for any loss, liability or damage of whatever kind arising as a result of any reliance upon such information. All pictures used in the guide are for illustrative purposes only.

Although our information and marketing states the term 'Silent' for certain models, the following applies to various models that are sold with certain Isodrive® systems and filters. When a model with the larger motored Isodrive® system is operated at the higher speed/s air movement may be heard. For example, while operating on speed 4 & 5 (For 5 speed models) the rangehood may be audible due to the large amount of air movement moving through the filter.

*Please make sure that the rangehood and motor have been installed as per the corresponding instruction guides in order for optimal performance (the Isodrive® Motor Manual can be found with the Isodrive® Motor, or online at schweigen.com.au).

Schweigen Home Appliances has presented this information in good faith to all their retailers and distributors to convey before any/all purchase/s. Information is supplied upon the condition that the person/s receiving the information will make their own determination as to its suitability for their purpose/s prior to use. In no event will Schweigen Home Appliances be responsible for damages of any nature whatsoever resulting from the use of, or reliance upon, information from their website or the products to which the information refers.



DISPOSAL OF OLD APPLIANCES

Electronic waste (or e-waste) including kitchen appliances are banned from direct disposal to landfill. E-waste contains hazardous materials, which can harm the environment and human health. Valuable materials contained in e-waste are lost when appliances, computers and other household electrical goods are sent to landfill.

Recycle your e-waste to:

- reduce landfill
- protect the air and waterways from harmful materials
- minimise consumption of raw materials to produce electronic products
- reduce greenhouse gases created in the production of new materials.

Kitchen appliances including Rangehoods and Ovens can only be disposed at approved recycling centres. Visit www.recyclingnearyou.com.au/whitegoods for more information, or contact your local council or the store you purchased this appliance, for a list of approved recyclers.

Notes

© Schweigen Home Appliances Pty Ltd. 2021

Australia

Unit 4/1-5 Lake Drive, Dingley Village, Victoria 3172

Phone: 1300 881 693

Email: sales@schweigen.com.au

New Zealand

Ground floor, 165 The Strand, Parnell, Auckland 1010

Phone: 0800 259 644

Email: servicerequest@schweigen.co.nz

schweigen

Distributed by Schweigen Pty Ltd.
53 124 141 322

**Scan for more
contact details**



Revision 8 02/06/2026