



Protect your kitchen from airborne grease, smoke, steam, noise and odours without compromising its design with a sleek silent undermount rangehood.

Designed to fit into deeper overhead cabinetry for a more effective extraction zone, the SXQU330-9S complements contemporary designs and integrated kitchens where the rangehood must be out of sight. It features a powerful German made IsoDrive® motor that is mounted externally and ducted with fire, crush and pest-proof Schweigen SteelFlex™ high performance safety ducting. It comes with

lifetime warranty-backed dishwasher-safe mesh filters so you enjoy peace of mind. (Baffles are also available as an option.)

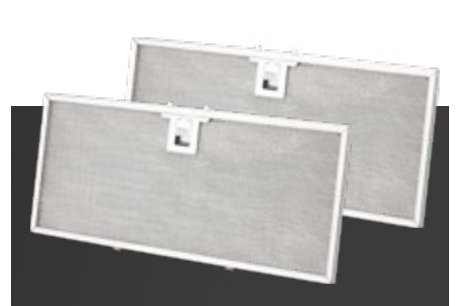
Robustly crafted with 304-grade stainless steel, the SXQU330-9S delights with features like touch-sensitive controls, remote control, 5 speed levels, auto shut-off and energy-efficient LED strip lighting.



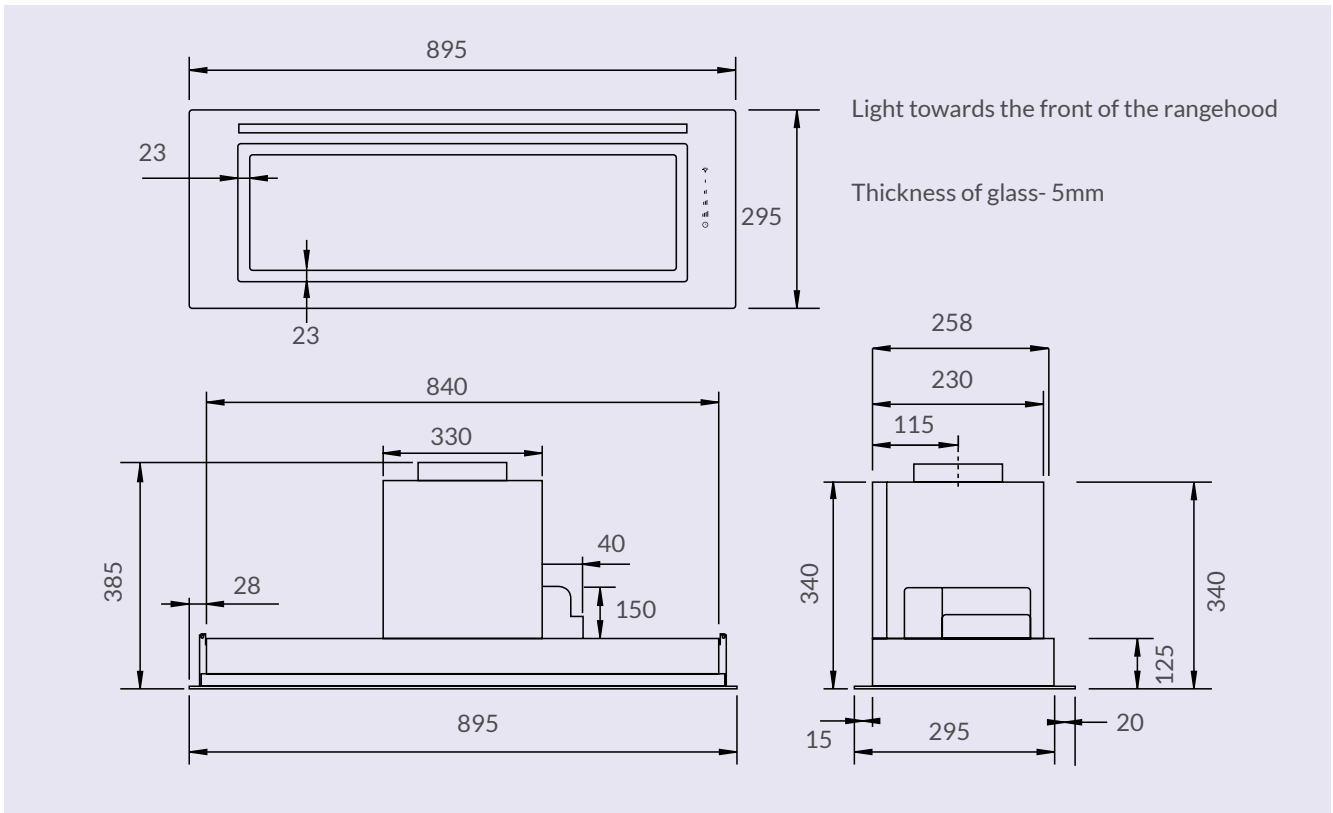
The fire and pest proof Schweigen SteelFlex™ safety duct included



Silent operation using the German made IsoDrive® external motor



Peace-of-mind, Lifetime Warranty on fine mesh filters.



PRODUCT DESCRIPTION

- Black or White Glass
- Perimeter Aspiration
- 2 x stainless mesh filters, dishwasher safe
- LED Strip lighting
- 4 Speed, Touch sensitive controls
- Filter cleaning indicator
- Automatic shut-off
- 5 Year Rangehood Warranty

TECHNICAL DATA

KLS-9GLASS,
KLS-9GLASSBLK
■ Glass Facia
dimensions: (W x D)
895 x 295 mm

MOTOR INFORMATION

- German made IsoDrive® external motor
- SP - single external motor
 - 1600 m3/h airflow
 - 200mm SteelFlex™ ducting (6m)
 - install roof/wall
- 10 Year Warranty on Motor
- SteelFlex™ safety duct included

TECHNICAL SPECIFICATIONS

Model	KLS-9GLASSBLKS, KLS-9GLASS
Feeding Voltage	220-240V 50Hz
Lamp Power – LED Strip Light (W)	1xLED Strip 726mm long 3.36W 12V 3000k