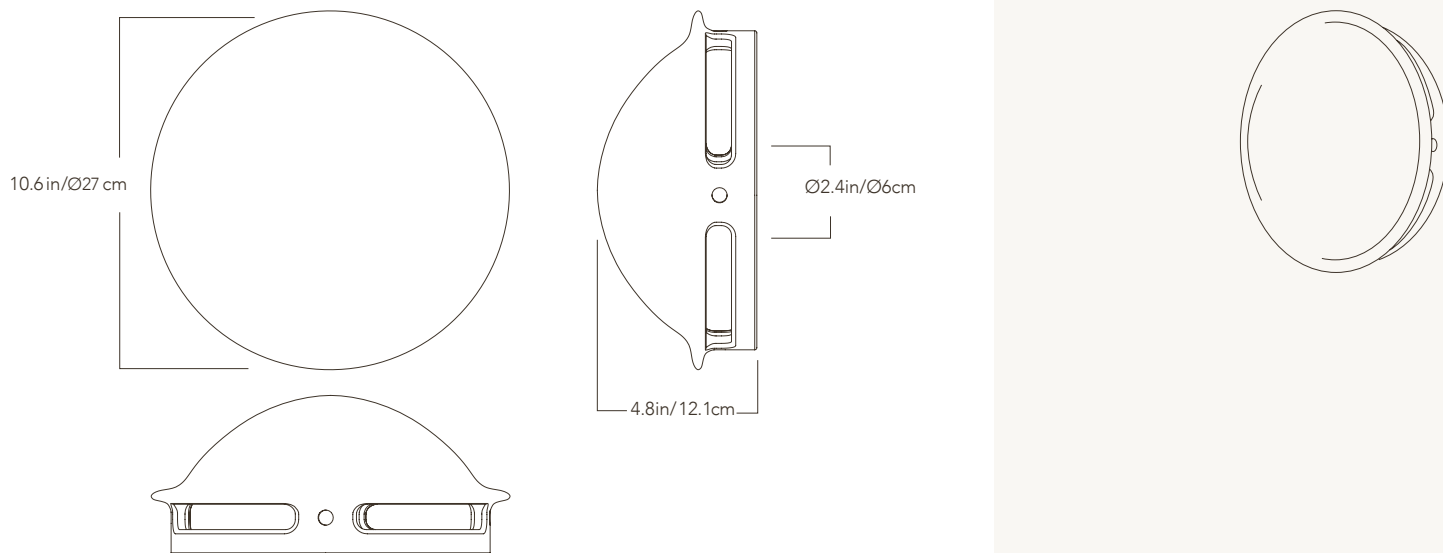


Trid wall light

MOROCCO
HOUDA X MEMÒRI



SPECIFICATIONS

Product name

Trid

Dimensions

Ø10.6 in x D4.8 in
Ø27 cm x D12.1 cm

Weight

8.3 lb / 3.8 kg est.

Material

Earthenware

Finishes / Colors

Terracotta, off white, brown

Fixture mounting

Designed to be mounted on a standard nail/hook (not provided) fixed on the wall above an electrical source (not provided)

Light bulb

Compatible with a E14 or equivalent (standard, not provided)

This piece is a **hanbuilt ceramic co-created with the potter** Houda. It is made of **earthenware** collected from the **potter's surroundings**, slip is applied with **natural pigments** as whitewash, white clay *biyada* or manganese oxide *mogra* and it is **fired in a pit oven**. Imperfections are **part of the artisanal process** and are what make **each piece unique**.