



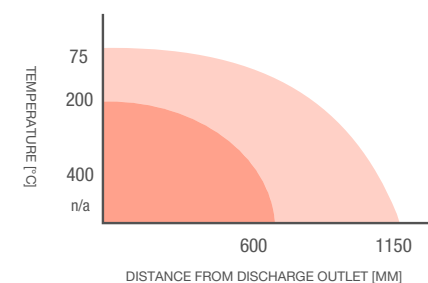
MODEL	2-4-1 (BUILT-UP)
PART NUMBER	100002
UNIT DIMENSIONS	Ø172 x 179 mm (EXCL. BRACKET)
TOTAL WEIGHT	5250 g (±2%)
COMPOUND WEIGHT	1600 g
VOLUME COVERAGE A(CW) +30% SAFETY	15,85 m³
DISCHARGE TIME	48-53 s
ACTIVATION, CURRENT	BUILT-IN ELECTRICAL STARTER, 1.5–32 V DC / 0.8 A
OPERATING CONDITIONS	-40 °C TO 75 °C / UP TO 95% RH
COLOUR	STANDARD RAL 3000, OTHER COLOURS UPON REQUEST

DSPA 2-4-1 (BUILT-UP)

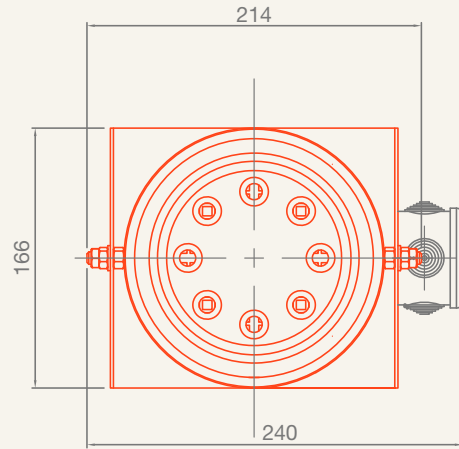
DESCRIPTION:

RED-COATED STEEL CYLINDRICAL HOUSING WITH **AXIAL DISCHARGE** OUTLET. COMPLIANT WITH EN 15276, ISO 15779, AND NFPA 2010 GUIDELINES, WITH A DISCHARGE TIME OF <60 S IN COMPLIANCE WITH UL 2775 REQUIREMENTS.

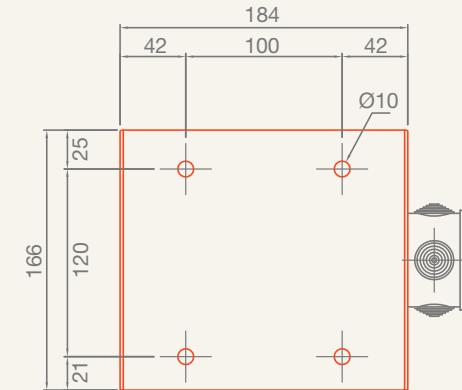
- MIN. DISTANCE FOR PERSONS (75°C) FROM DISCHARGE OUTLET
- MIN. DISTANCE FOR COMBUSTIBLE MATERIAL (200°C) FROM DISCHARGE OUTLET
- MIN. DISTANCE FOR CONSTRUCTION STRUCTURES (400°C) FROM DISCHARGE OUTLET



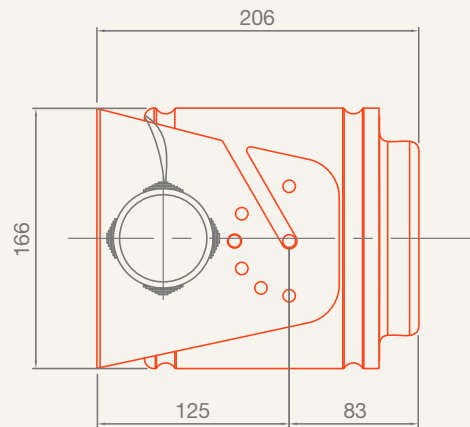
FRONT VIEW



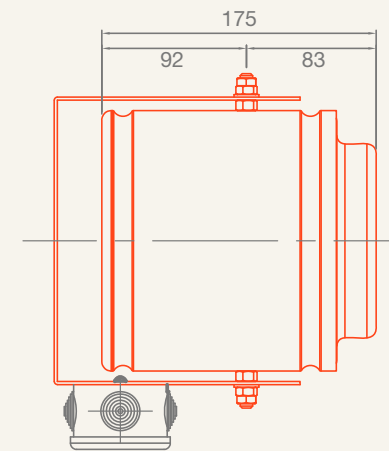
BOTTOM VIEW



SIDE VIEW



TOP VIEW



ALL DIMENSIONS IN mm

• UNLESS OTHERWISE SPECIFIED, TOLERANCES ACCORDING TO ISO 2768-V.

• ELECTRICAL STARTER CABLE LENGTH: 300 mm



DSPA 2-4-1 (BUILT-IN)

DESCRIPTION:

RED-COATED STEEL CYLINDRICAL HOUSING WITH **AXIAL DISCHARGE** OUTLET AND INTEGRATED FLANGE-MOUNTING BRACKET FOR RECESSED INSTALLATION. COMPLIANT WITH EN 15276, ISO 15779, AND NFPA 2010 GUIDELINES, WITH A DISCHARGE TIME OF <60 S IN COMPLIANCE WITH UL 2775 REQUIREMENTS.

MODEL

2-4-1 (BUILT-IN)

PART NUMBER

100001

UNIT DIMENSIONS

Ø172 x 179 mm (EXCL. BRACKET)

TOTAL WEIGHT

6000 g (±2%)

COMPOUND WEIGHT

1600 g

VOLUME COVERAGE A(CW) +30% SAFETY

15,85 m³

DISCHARGE TIME

48-53 s

ACTIVATION, CURRENT

BUILT-IN ELECTRICAL STARTER, 1.5–32 V DC / 0.8 A

OPERATING CONDITIONS

-40 °C TO 75 °C / UP TO 95% RH

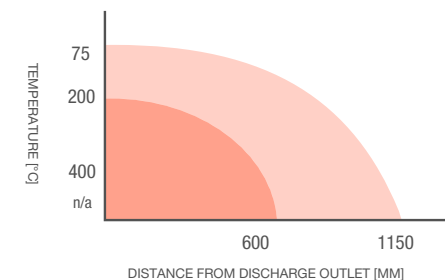
COLOUR

STANDARD RAL 3000,
OTHER COLOURS UPON REQUEST

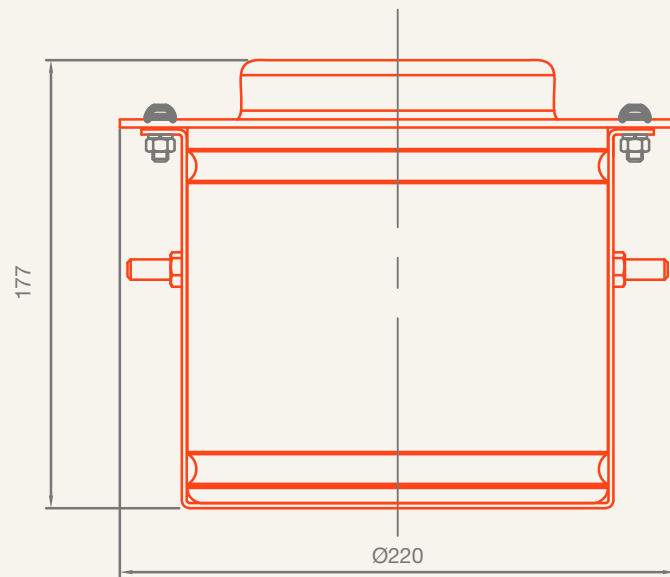
MIN. DISTANCE FOR PERSONS
(75°C) FROM DISCHARGE OUTLET

MIN. DISTANCE FOR COMBUSTIBLE MATERIAL
(200°C) FROM DISCHARGE OUTLET

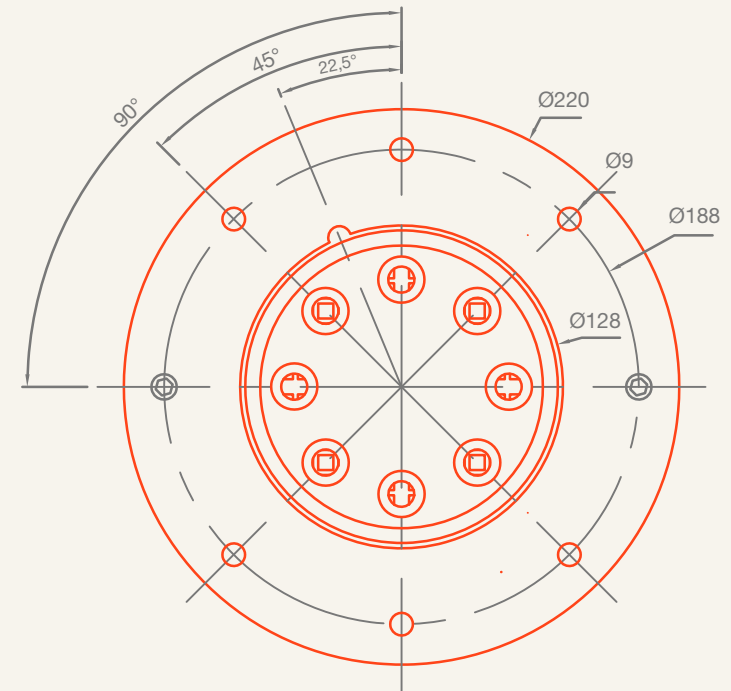
MIN. DISTANCE FOR CONSTRUCTION
STRUCTURES (400°C) FROM DISCHARGE OUTLET



SIDE VIEW



FRONT VIEW



CABLE LENGTH MEASURED FROM THE HOUSING:

- ELECTRICAL STARTER CABLE LENGTH: 340 MM

- ALL DIMENSIONS IN mm
- UNLESS OTHERWISE SPECIFIED, TOLERANCES ACCORDING TO ISO 2768-V.

