



DSPA 8-1

DESCRIPTION:

RED-COATED STEEL CYLINDRICAL HOUSING WITH AXIAL DISCHARGE OUTLET.
COMPLIANT WITH NFPA 2010, EN15276-2 AND ISO15779 GUIDELINES.

MODEL

8-1

PART NUMBER

100009

UNIT DIMENSIONS

Ø220 x 235 mm (EXCL. BRACKET)

TOTAL WEIGHT (EXCL. BRACKET)

12,600 g (±2%)

BRACKET WEIGHT

1,508 g

COMPOUND WEIGHT

3250 g

VOLUME COVERAGE A(CW) +30% SAFETY

31,65 m³

DISCHARGE TIME

67-89 s

ACTIVATION, CURRENT

SCREW-IN ELECTRICAL STARTER, 1.5–32 V DC / 0.8 A
OR BULB STARTING DEVICE (BSD), THERMO-MECHANICAL

OPERATING CONDITIONS

-40°C TO 75°C / UP TO 95% RH

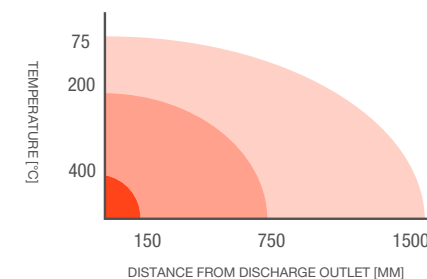
COLOUR

STANDARD RAL 3000,
OTHER COLOURS UPON REQUEST

MIN. DISTANCE FOR PERSONS
(75°C) FROM DISCHARGE OUTLET

MIN. DISTANCE FOR COMBUSTIBLE MATERIAL
(200°C) FROM DISCHARGE OUTLET

MIN. DISTANCE FOR CONSTRUCTION
STRUCTURES (400°C) FROM DISCHARGE OUTLET





DSPA 8-1-60

DESCRIPTION:

RED-COATED STEEL CYLINDRICAL HOUSING WITH **AXIAL DISCHARGE** OUTLET. COMPLIANT WITH EN15276, ISO 15779, AND NFPS 2010 GUIDELINES, WITH A DISCHARGE TIME OF <60 S IN COMPLIANCE WITH UL 2775 REQUIREMENTS.

MODEL

8-1-60

PART NUMBER

100032

UNIT DIMENSIONS

Ø220 x 235 mm (EXCL. BRACKET)

TOTAL WEIGHT (EXCL. BRACKET)

12,500 g (±2%)

BRACKET WEIGHT

1,508 g

COMPOUND WEIGHT

3250 g

VOLUME COVERAGE A(CW) +30% SAFETY

 31,65 m³

DISCHARGE TIME

48-58 s

ACTIVATION, CURRENT

 SCREW-IN ELECTRICAL STARTER, 1.5–32 V DC / 0.8 A
OR BULB STARTING DEVICE (BSD), THERMO-MECHANICAL

OPERATING CONDITIONS

-40°C TO 75°C/ UP TO 95% RH

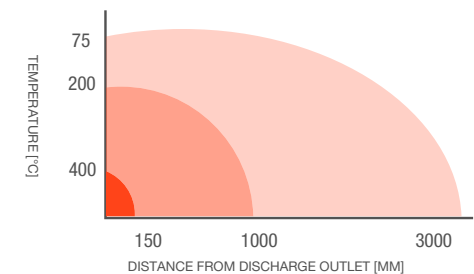
COLOUR

 STANDARD RAL 3000,
OTHER COLOURS UPON REQUEST

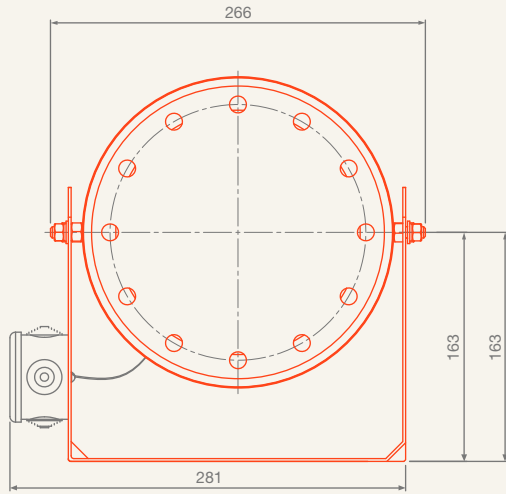
MIN. DISTANCE FOR PERSONS
(75°C) FROM DISCHARGE OUTLET

MIN. DISTANCE FOR COMBUSTIBLE MATERIAL
(200°C) FROM DISCHARGE OUTLET

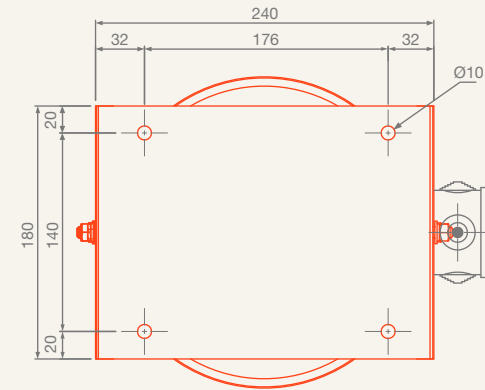
MIN. DISTANCE FOR CONSTRUCTION
STRUCTURES (400°C) FROM DISCHARGE OUTLET



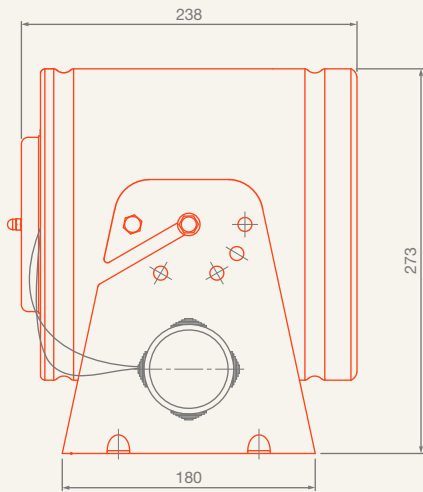
FRONT VIEW



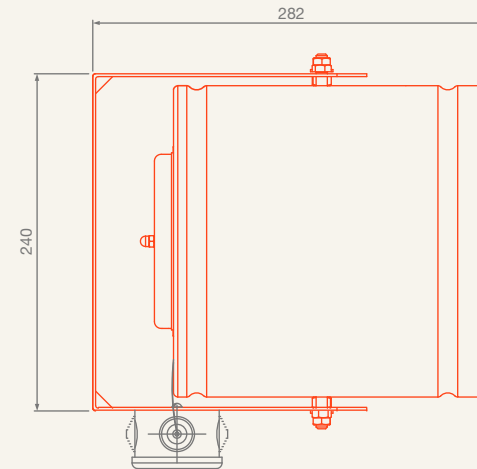
BOTTOM VIEW



SIDE VIEW



TOP VIEW



• ALL DIMENSIONS IN mm

• UNLESS OTHERWISE SPECIFIED, TOLERANCES ACCORDING TO ISO 2768-V.

• ELECTRICAL STARTER CABLE LENGTH: 440 mm