



DSPA 11-1

DESCRIPTION:

RED-COATED STEEL DISK HOUSING WITH **RADIAL DISCHARGE** AND DOUBLE-SHAPED PLATE DESIGN. COMPLIANT WITH EN15276, ISO15779, AND NFPA 2010 GUIDELINES, WITH A DISCHARGE TIME OF <60 S IN COMPLIANCE WITH UL 2775 REQUIREMENTS.

MODEL

11-1

PART NUMBER

100011 (E) / 100061 (T)

UNIT DIMENSIONS

Ø122 x 22 mm (EXCL. BRACKET)

TOTAL WEIGHT

650 g (±2%)

COMPOUND WEIGHT

110 g

VOLUME COVERAGE A(CW) +30% SAFETY

 1,07 m³

DISCHARGE TIME

6-10 s

ACTIVATION, CURRENT

 BUILT-IN ELECTRICAL STARTER, 1.5–32 V DC / 0.8 A (E)
OR THERMOCORD (T)

OPERATING CONDITIONS

-40 °C TO 75 °C / UP TO 95% RH

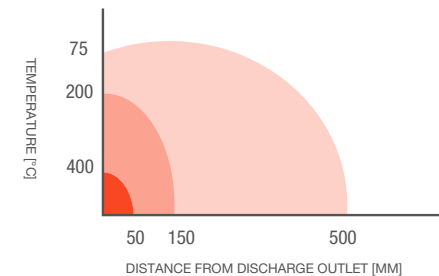
COLOUR

 STANDARD RAL 3000,
OTHER COLOURS UPON REQUEST

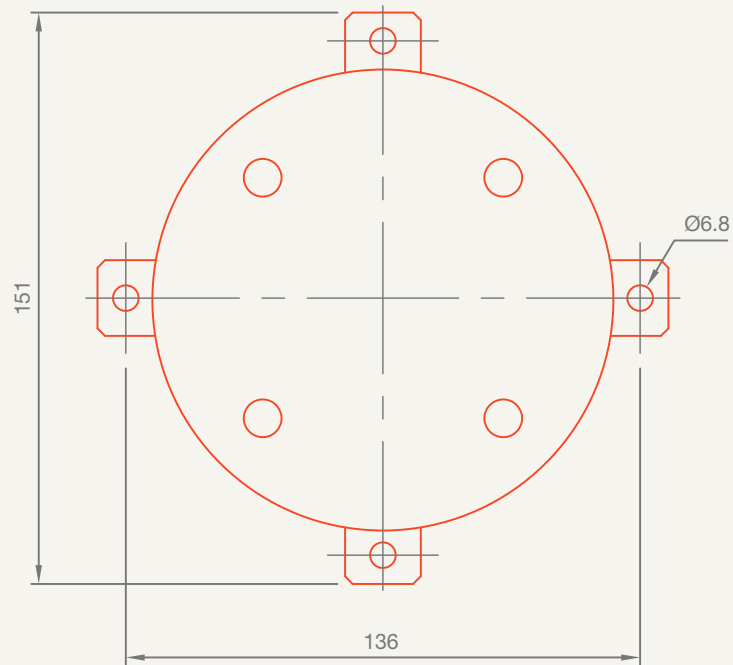
MIN. DISTANCE FOR PERSONS
(75°C) FROM DISCHARGE OUTLET

MIN. DISTANCE FOR COMBUSTIBLE MATERIAL
(200°C) FROM DISCHARGE OUTLET

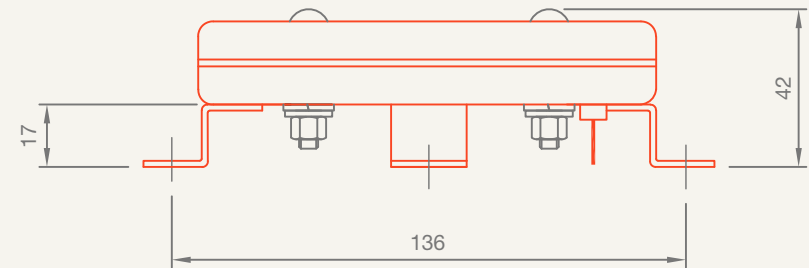
MIN. DISTANCE FOR CONSTRUCTION
STRUCTURES (400°C) FROM DISCHARGE OUTLET



TOP VIEW



FRONT VIEW



CABLE LENGTH MEASURED FROM THE HOUSING:

- THERMOCORD STARTER CABLE LENGTH: 330–370 mm
- ELECTRICAL STARTER CABLE LENGTH: 370 mm

- ALL DIMENSIONS IN mm
- UNLESS OTHERWISE SPECIFIED, TOLERANCES ACCORDING TO ISO 2768-V.

