



DSPA 11-5

DESCRIPTION:

RED-COATED STEEL DISK HOUSING WITH **RADIAL DISCHARGE** AND DOUBLE-SHAPED PLATE DESIGN. COMPLIANT WITH EN15276, ISO15779, AND NFPA 2010 GUIDELINES, WITH A DISCHARGE TIME OF <60 S IN COMPLIANCE WITH UL 2775 REQUIREMENTS.

MODEL

11-5

PART NUMBER

100015

UNIT DIMENSIONS

Ø217 x 99 mm (EXCL. BRACKET)

TOTAL WEIGHT

5150 g (±2%)

COMPOUND WEIGHT

1400 g

VOLUME COVERAGE A(CW) +30% SAFETY

 13,63 m³

DISCHARGE TIME

40-60 s

ACTIVATION, CURRENT

BUILT-IN ELECTRICAL STARTER, 1.5–32 V DC / 0.8 A OR BULB STARTING DEVICE (BSD), THERMO-MECHANICAL

OPERATING CONDITIONS

-40 °C TO 75 °C / UP TO 95% RH

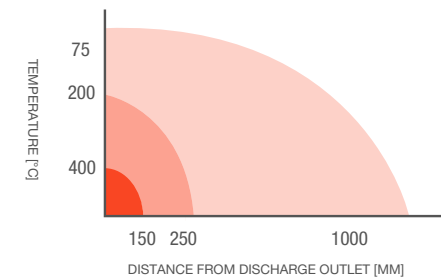
COLOUR

 STANDARD RAL 3000,
OTHER COLOURS UPON REQUEST

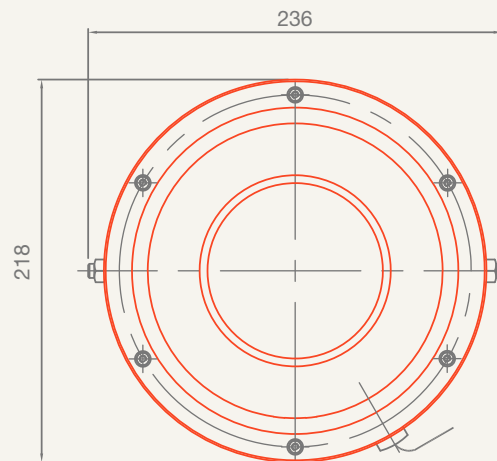
MIN. DISTANCE FOR PERSONS
(75°C) FROM DISCHARGE OUTLET

MIN. DISTANCE FOR COMBUSTIBLE MATERIAL
(200°C) FROM DISCHARGE OUTLET

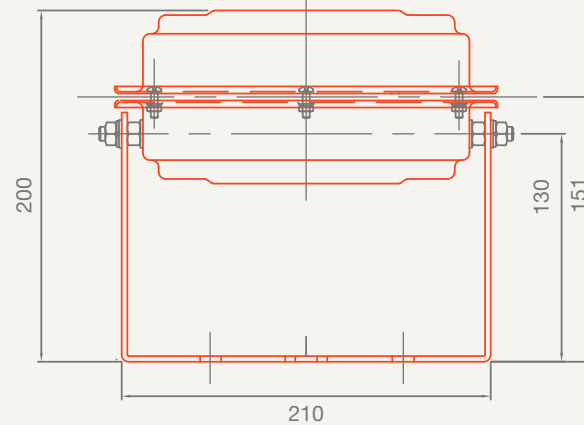
MIN. DISTANCE FOR CONSTRUCTION
STRUCTURES (400°C) FROM DISCHARGE OUTLET



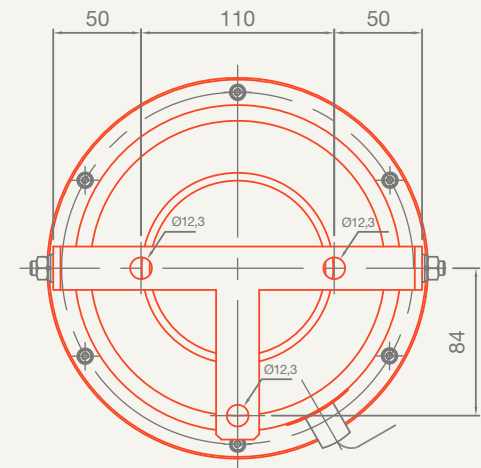
TOP VIEW



FRONT VIEW



BOTTOM VIEW



CABLE LENGTH MEASURED FROM THE HOUSING:

- ELECTRICAL STARTER CABLE LENGTH: 430 mm

- ALL DIMENSIONS IN mm
- UNLESS OTHERWISE SPECIFIED, TOLERANCES ACCORDING TO ISO 2768-V.

