



DSPA 11-7

DESCRIPTION:

RED-COATED STEEL DISK HOUSING WITH **AXIAL DISCHARGE** AND DOUBLE-SHAPED PLATE DESIGN. COMPLIANT WITH EN15276, ISO15779, AND NFPA 2010 GUIDELINES, WITH A DISCHARGE TIME OF <60 S IN COMPLIANCE WITH UL 2775 REQUIREMENTS.

MODEL

11-7

PART NUMBER

100017

UNIT DIMENSIONS

Ø165 x 72 mm (EXCL. BRACKET)

TOTAL WEIGHT

2350 g (±2%)

COMPOUND WEIGHT

520 g

VOLUME COVERAGE A(CW) +30% SAFETY

5,06 m³

DISCHARGE TIME

30-50 s

ACTIVATION, CURRENT

BUILT-IN ELECTRICAL STARTER, 1.5–32 V DC / 0.8 A (E)

OPERATING CONDITIONS

-40 °C TO 75 °C / UP TO 95% RH

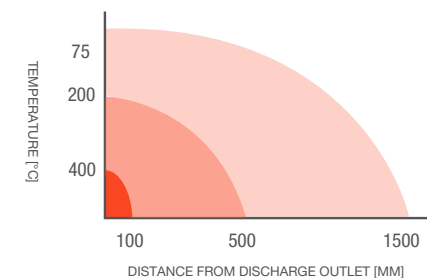
COLOUR

 STANDARD RAL 3000,
OTHER COLOURS UPON REQUEST

MIN. DISTANCE FOR PERSONS
(75°C) FROM DISCHARGE OUTLET

MIN. DISTANCE FOR COMBUSTIBLE MATERIAL
(200°C) FROM DISCHARGE OUTLET

MIN. DISTANCE FOR CONSTRUCTION
STRUCTURES (400°C) FROM DISCHARGE OUTLET





DSPA 11-7 (R)

DESCRIPTION:

RED-COATED STEEL DISK HOUSING WITH **RADIAL DISCHARGE** AND DOUBLE-SHAPED PLATE DESIGN. COMPLIANT WITH EN15276, ISO15779, AND NFPA 2010 GUIDELINES, WITH A DISCHARGE TIME OF <60 S IN COMPLIANCE WITH UL 2775 REQUIREMENTS.

MODEL

11-7 (R)

PART NUMBER

100019 (E) 100067 (T)

UNIT DIMENSIONS

Ø165 x 72 mm (EXCL. BRACKET)

TOTAL WEIGHT

2350 g (±2%)

COMPOUND WEIGHT

520 g

VOLUME COVERAGE A(CW) +30% SAFETY

 5,06 m³

DISCHARGE TIME

30-50 s

ACTIVATION, CURRENT

 BUILT-IN ELECTRICAL STARTER, 1.5–32 V DC / 0.8 A (E)
OR THERMOCORD (T)

OPERATING CONDITIONS

-40 °C TO 75 °C / UP TO 95% RH

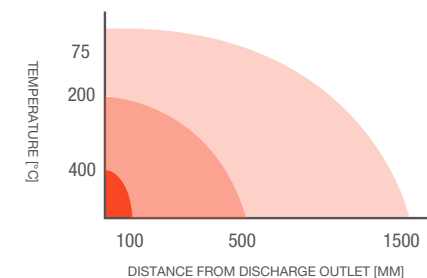
COLOUR

 STANDARD RAL 3000,
OTHER COLOURS UPON REQUEST

MIN. DISTANCE FOR PERSONS
(75°C) FROM DISCHARGE OUTLET

MIN. DISTANCE FOR COMBUSTIBLE MATERIAL
(200°C) FROM DISCHARGE OUTLET

MIN. DISTANCE FOR CONSTRUCTION
STRUCTURES (400°C) FROM DISCHARGE OUTLET





DSPA 11-7 (B)

DESCRIPTION:

RED-COATED STEEL DISK HOUSING WITH **RADIAL DISCHARGE** AND DOUBLE-SHAPED PLATE DESIGN. COMPLIANT WITH EN15276, ISO15779, AND NFPA 2010 GUIDELINES, WITH A DISCHARGE TIME OF <60 S IN COMPLIANCE WITH UL 2775 REQUIREMENTS.

MODEL	11-7 (B)
--------------	-----------------

PART NUMBER	100097
--------------------	--------

UNIT DIMENSIONS	Ø165 x 72 mm (EXCL. BRACKET)
------------------------	------------------------------

TOTAL WEIGHT	2350 g (±2%)
---------------------	--------------

COMPOUND WEIGHT	520 g
------------------------	-------

VOLUME COVERAGE A(CW) +30% SAFETY	5,06 m³
--	---------

DISCHARGE TIME	30-50 s
-----------------------	---------

ACTIVATION, CURRENT	BULB STARTING DEVICE (BSD), THERMO-MECHANICAL
----------------------------	---

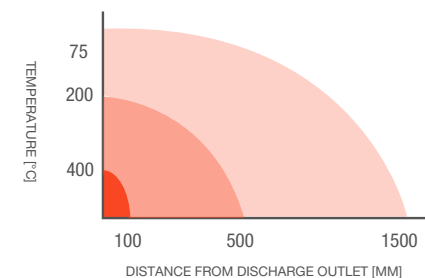
OPERATING CONDITIONS	-40 °C TO 75 °C / UP TO 95% RH
-----------------------------	--------------------------------

COLOUR	STANDARD RAL 3000, OTHER COLOURS UPON REQUEST
---------------	--

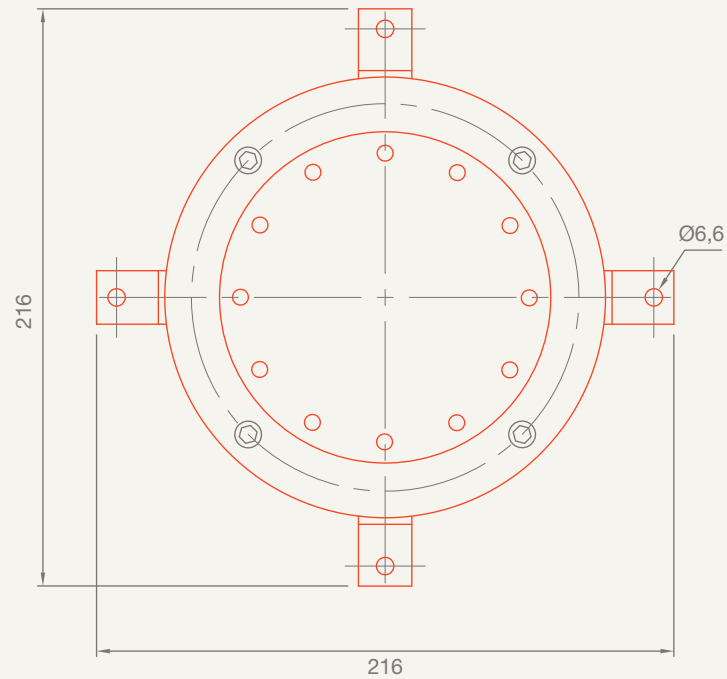
MIN. DISTANCE FOR PERSONS
(75°C) FROM DISCHARGE OUTLET

MIN. DISTANCE FOR COMBUSTIBLE MATERIAL
(200°C) FROM DISCHARGE OUTLET

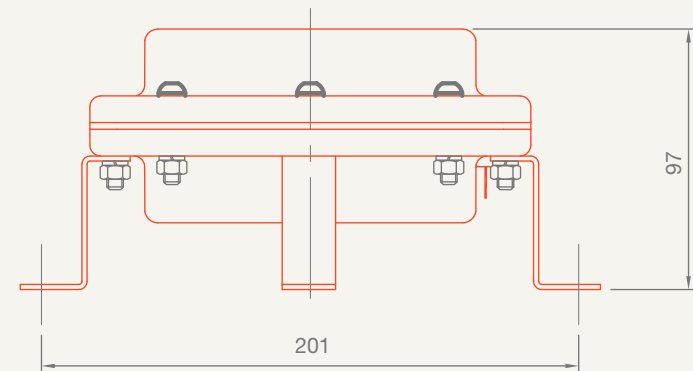
MIN. DISTANCE FOR CONSTRUCTION
STRUCTURES (400°C) FROM DISCHARGE OUTLET



TOP VIEW



FRONT VIEW



CABLE LENGTH MEASURED FROM THE HOUSING:

- THERMOCORD STARTER CABLE LENGTH: 400–450 MM
- ELECTRICAL STARTER CABLE LENGTH: 330 - 350 MM

- ALL DIMENSIONS IN mm
- UNLESS OTHERWISE SPECIFIED, TOLERANCES ACCORDING TO ISO 2768-V.

