



## DSPA 12-3

### DESCRIPTION:

RED-COATED STEEL DISK HOUSING WITH **RADIAL DISCHARGE** AND SINGLE-SHAPED PLATE DESIGN. COMPLIANT WITH EN15276, ISO15779, AND NFPA 2010 GUIDELINES, WITH A DISCHARGE TIME OF <60 S IN COMPLIANCE WITH UL 2775 REQUIREMENTS.

### MODEL

12-3

### PART NUMBER

100022 (E) / 100027 (T)

### UNIT DIMENSIONS

Ø120 x 20 mm (EXCL. BRACKET)

### TOTAL WEIGHT

300 g (±2%)

### COMPOUND WEIGHT

55 g

### VOLUME COVERAGE A(CW) +30% SAFETY

0,54 m<sup>3</sup>

### DISCHARGE TIME

9-11 s

### ACTIVATION, CURRENT

BUILT-IN ELECTRICAL STARTER, 1.5–32 V DC / 0.8 A (E)  
OR THERMOCORD (T)

### OPERATING CONDITIONS

-40 °C TO 75 °C / UP TO 95% RH

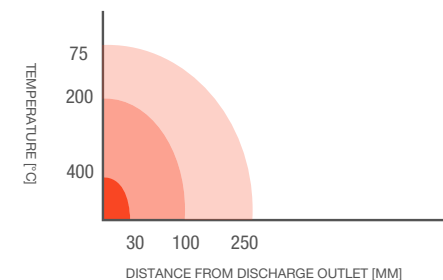
### COLOUR

STANDARD RAL 3000  
OTHER COLOURS UPON REQUEST

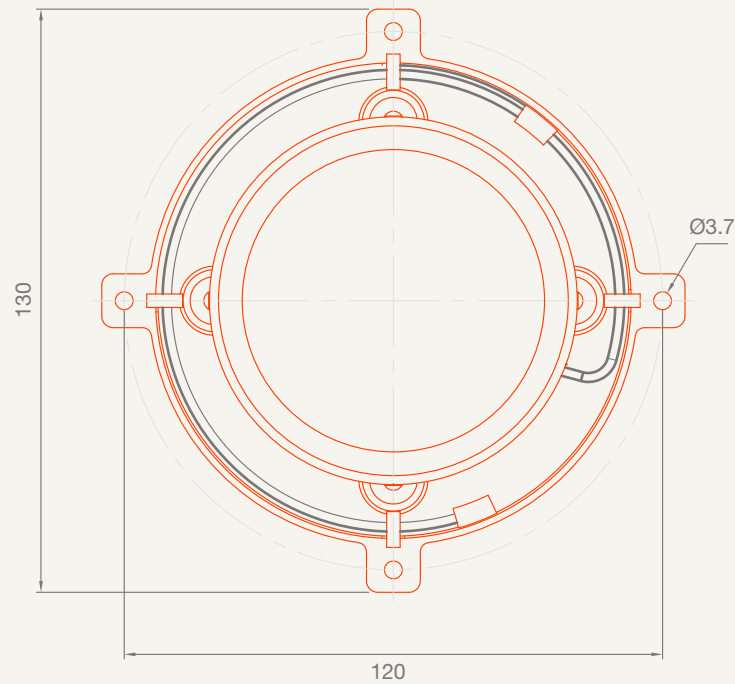
MIN. DISTANCE FOR PERSONS  
(75°C) FROM DISCHARGE OUTLET

MIN. DISTANCE FOR COMBUSTIBLE MATERIAL  
(200°C) FROM DISCHARGE OUTLET

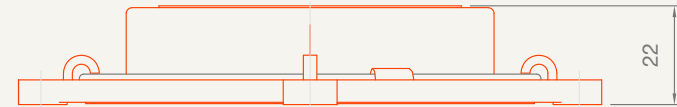
MIN. DISTANCE FOR CONSTRUCTION  
STRUCTURES (400°C) FROM DISCHARGE OUTLET



TOP VIEW



FRONT VIEW



**CABLE LENGTH MEASURED FROM THE HOUSING:**

- THERMOCORD STARTER CABLE LENGTH: 200 MM
- ELECTRICAL STARTER CABLE LENGTH: 390 MM

- ALL DIMENSIONS IN mm
- UNLESS OTHERWISE SPECIFIED, TOLERANCES ACCORDING TO ISO 2768-V.

