



DSPA 12-5

DESCRIPTION:

RED-COATED STEEL DISK HOUSING WITH **RADIAL DISCHARGE** AND DOUBLE-SHAPED PLATE DESIGN. COMPLIANT WITH EN15276, ISO15779, AND NFPA 2010 GUIDELINES, WITH A DISCHARGE TIME OF <60 S IN COMPLIANCE WITH UL 2775 REQUIREMENTS.

MODEL

12-5

PART NUMBER

100029

UNIT DIMENSIONS

Ø80 x 16 mm (EXCL. BRACKET)

TOTAL WEIGHT

70 g (±2%)

COMPOUND WEIGHT

5 g

VOLUME COVERAGE A(CW) +30% SAFETY

0,05 m³

DISCHARGE TIME

5-7 s

ACTIVATION, CURRENT

THERMOCORD (T)

OPERATING CONDITIONS

-40 °C TO 75 °C / UP TO 95% RH

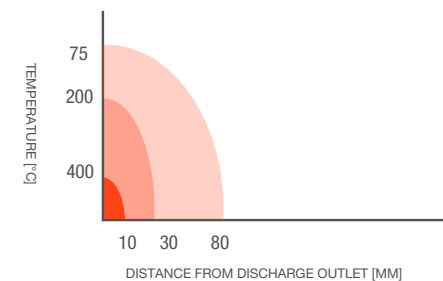
COLOUR

STANDARD RAL 3000,
OTHER COLOURS UPON REQUEST

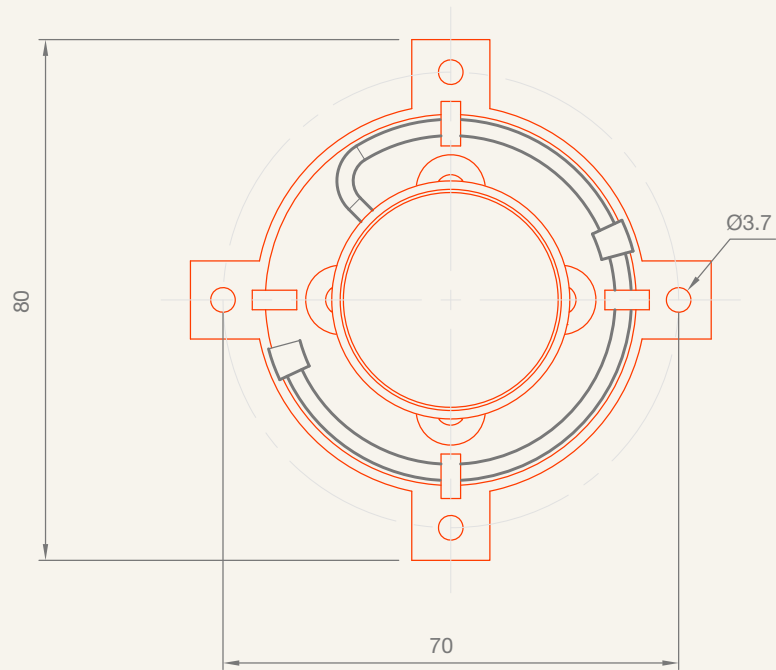
MIN. DISTANCE FOR PERSONS
(75°C) FROM DISCHARGE OUTLET

MIN. DISTANCE FOR COMBUSTIBLE MATERIAL
(200°C) FROM DISCHARGE OUTLET

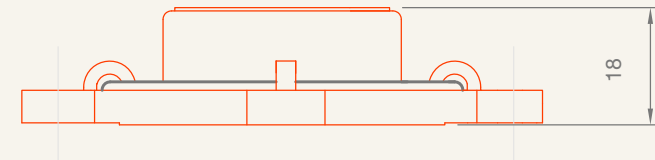
MIN. DISTANCE FOR CONSTRUCTION
STRUCTURES (400°C) FROM DISCHARGE OUTLET



TOP VIEW



FRONT VIEW



CABLE LENGTH MEASURED FROM THE HOUSING:
● THERMOCORD STARTER CABLE LENGTH: 290 MM

- ALL DIMENSIONS IN mm
- UNLESS OTHERWISE SPECIFIED, TOLERANCES ACCORDING TO ISO 2768-V.

