

FEATURES & BENEFITS

CONSTRUCTION

Rugged ADA accessible 18 gauge Type 304 Stainless Steel swirl design bowls, 14 gauge Type 304 Stainless Steel brackets and bottle filler, and vandal-resistant bottom plates provides a long lasting unit with added peace of mind.

BOTTLE FILLER

Vandal-resistant, 14-gauge Type 304 stainless steel bottle filler housing with push button operation and 1 gpm (3.78 L) laminar flow.

VANDAL RESISTANT

The bubbler heads, push buttons, round bowls, drain strainers and bottom plates are locked in place, discouraging unwanted vandal tampering.

BUBBLER HEADS

Polished chrome-plated brass bubbler heads with integral laminar flow prevents splashing while providing a superior flow pattern. The integral 11/16" basin shank and stainless anti-rotational roll pin add vandal resistance strength. Shielded, angled stream opening provides a steady, sanitary source of drinking water at .45 gpm.

FOUNTAIN VALVES

The push-button activated valves have all stainless steel bodies, with chrome plated brass push button assemblies which allow for front access to water stream adjustment, water control cartridge, and water supply strainer replacement without having to go through the bottom plate. Operating pressure range of 30 to 90 psi (2.1 to 6.2 bar).

MOUNTING

Galvanized frame and 10 gauge surface plate provide the maximum mounting strength, and allows front access of P-trap and stop.

OPTIONS

- Water Filter: Model 6480 filter kit with 3000 gallon carbon block filter, filter head, and mounting bracket.
- Bottle Filler Stand: Model BTL1001, add-on stainless steel stand to place bottle on when 1920 bottle filler is used.

For more information, visit www.hawsco.com or call (888) 640-4297.



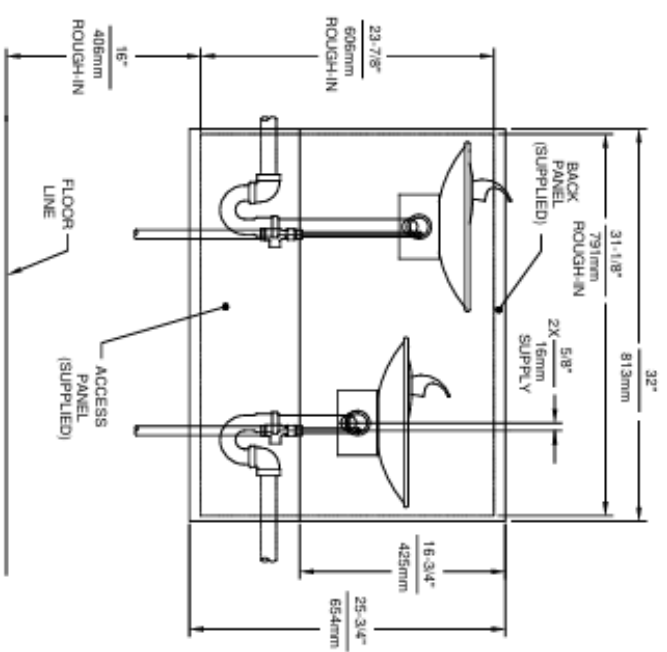
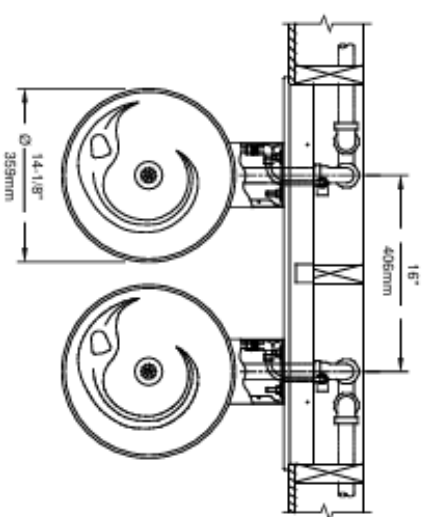
SPECIFICATIONS

Model 1011MSP Hi-Lo ADA vandal-resistant wall-mounted drinking fountain and bottle filler shall include dual 18-gauge Type 304 Stainless Steel satin finish basins with integral swirl design, 14 gauge Type 304 Stainless Steel wall brackets and bottle filler bracket, in-wall mounting frame with lower access panel allowing for front access of P-trap and stop, 100% lead-free waterways, vandal-resistant push-button operated stainless steel valves with front accessible cartridge and flow adjustment, polished chrome plated brass vandal resistant bubbler heads with integral laminar anti-squirt flow, 1gpm (3.78L) laminar flow bottle filler with in-wall 3/16" thick steel mounting plate, chrome-plated brass vandal-resistant waste strainers, high and low fountain mounting levels, stainless steel satin finish back panels, and 1-1/4" O.D. (3.2 cm) waste pipes. In extreme environments related to heat and cold, product(s) must be protected from damage/exposure due to these extreme conditions.

APPLICATIONS

Perfect for either public or private indoor/outdoor settings, Model 1011MSP is a great fit in areas where aesthetics are important to the overall appeal of the architecture. This series is precisely mounted, making it a nice addition to any surrounding. Beautiful satin finish helps to maintain the fountains overall appeal so it always remains looking as new as it did when it was installed. Specifically, this type of wall mounted drinking fountain may be placed in settings such as: schools and other locations in and around office buildings where the temperature remains above freezing. Model meets all current Federal Regulations for the disabled including those in the Americans with Disabilities Act. Haws manufactures drinking fountains, faucets and electric water coolers to be lead-free by all known definitions including NSF/ANSI/CAN 61-Section 9, NSF/ANSI/CAN 372, California Proposition 65, and the Federal Safe Drinking Water Act. Product is compliant to California Health and Safety Code 116875 (AB 1953-2006), and 116876 (AB 100) "NSF/ANSI/CAN 61: Q ≤ 1".

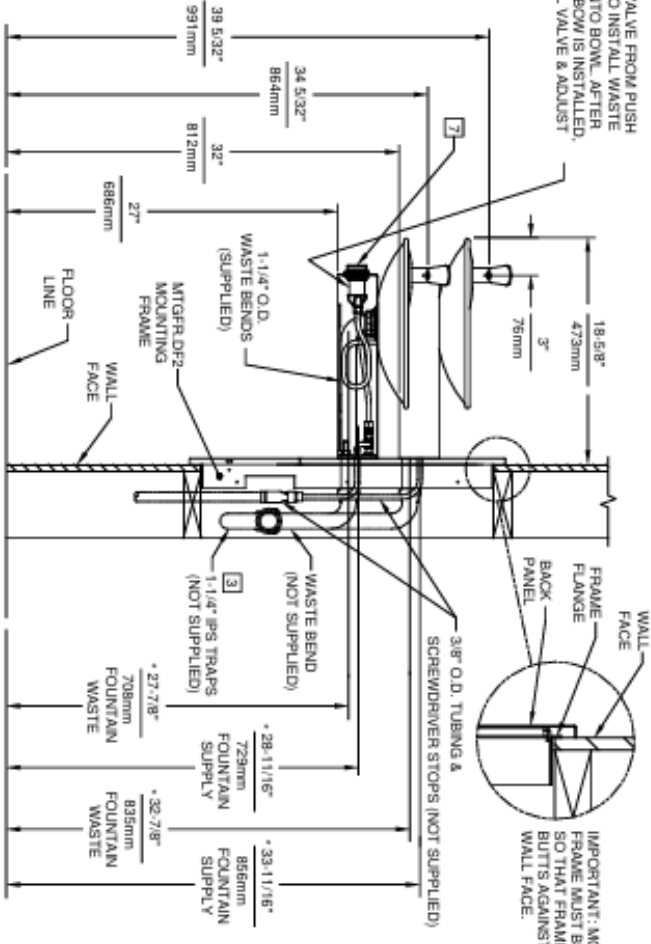
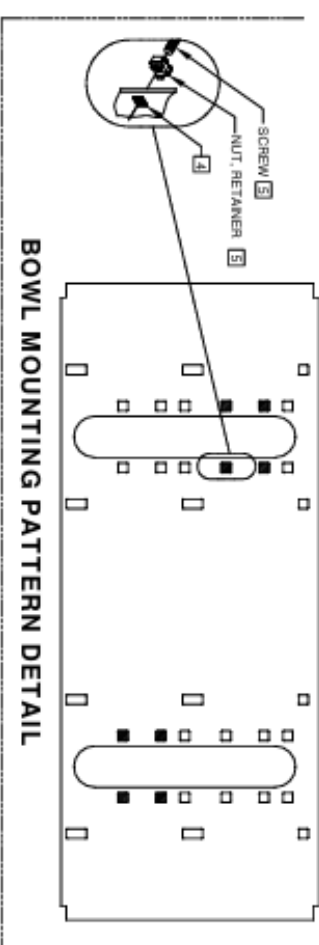




NOTES:

- 1 HOLD ROUGH-IN DIMENSIONS ±1/8" (3.2mm).
- 2 WHEN INSTALLING THIS UNIT, LOCAL, STATE, OR FEDERAL CODES SHOULD BE ADHERED TO FOR DIMENSIONS (LOCATIONS), WASTE AND SUPPLY REQUIREMENTS OTHER THAN SHOWN.
- 3 INSTALLER MUST PROVIDE TRAP FOR PROPER INSTALLATION.
- 4 HOLE COMBINATION SHOWN BELOW IS FOR USE WITH LOW FOUNTAIN ON THE RIGHT AND HIGH FOUNTAIN ON THE LEFT. USE OPPOSITE HOLES FOR HIGH ON RIGHT AND LOW ON LEFT.
- 5 TO CHANGE FOUNTAIN MFG. SCREW LOCATIONS, FIRST REMOVE SCREWS AND THEN SQUEEZE CLIPS ON NUT RETAINER TO POP OUT. SWAP INTO NEW POSITIONS FROM BACKSIDE AND RE-ASSEMBLE SCREWS.
- 6 IMPORTANT: A L.H. LOW (OPTIONAL) CONFIGURATION WILL REQUIRE A DIFFERENT BACK PANEL AND THE WASTE AND SUPPLY DIMENSIONS SHOWN (*) MUST BE REVERSED.
- 7 REFER TO 5874 SERIES OPERATION AND MAINTENANCE MANUAL FOR PUSH BUTTON AND VALVE INSTALLATION/MAINTENANCE INSTRUCTIONS.

REMOVE VALVE FROM PUSH BUTTON TO INSTALL WASTE ELBOW ONTO BOWL. AFTER WASTE ELBOW IS INSTALLED, REINSTALL VALVE & ADJUST FLOW

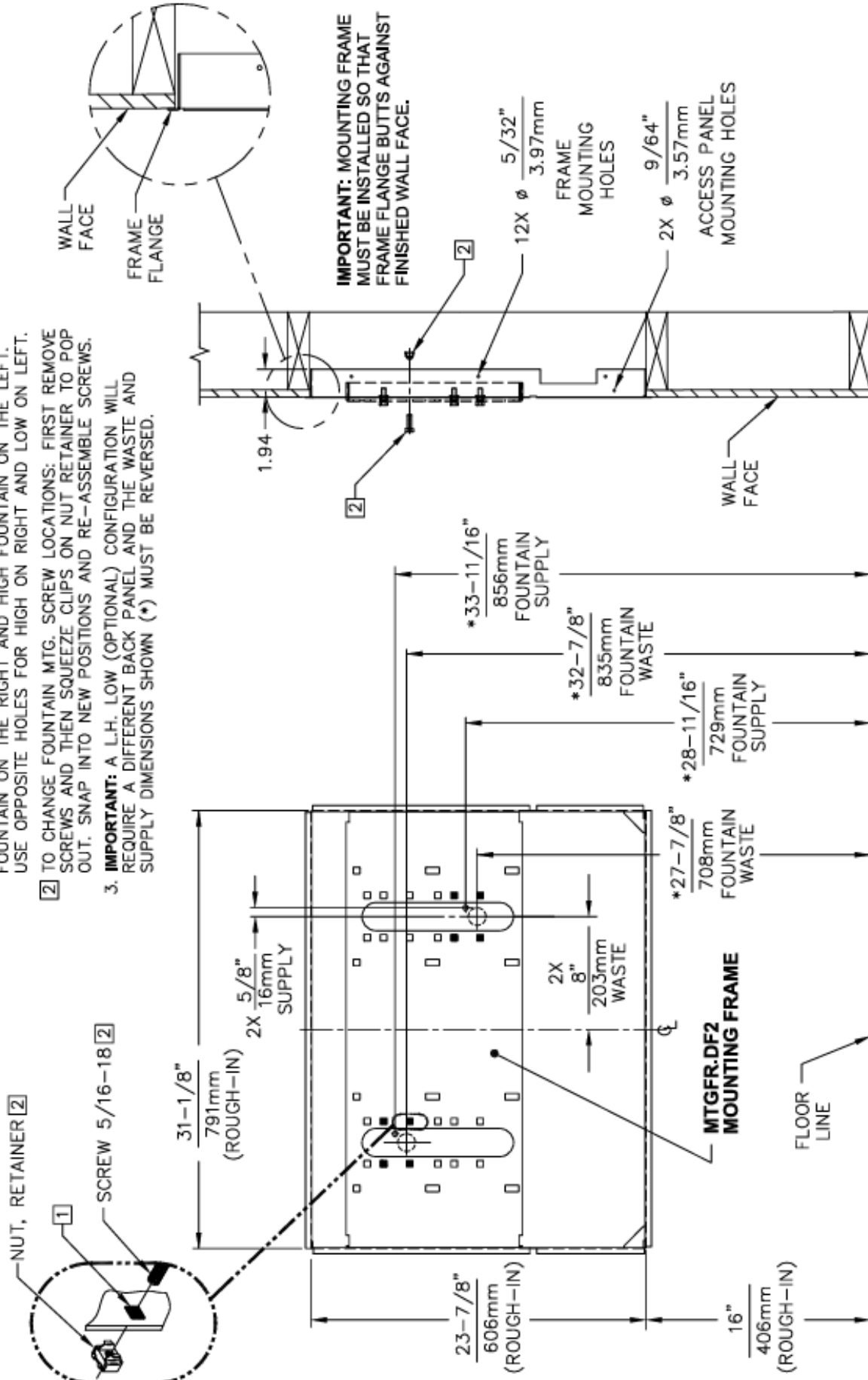


1455 KLEPPE LANE
SPARKS, NEVADA 89431
(775) 359-4772 FAX (775) 359-7424
E-MAIL: HAWS@HAWS.CO.COM
WEBSITE: WWW.HAWS.CO.COM

EQUIPMENT NO.	REVISION	MODEL(S)	DATE
1011HPSMS/1011MS	0002076519.D	DRINKING FOUNTAIN	07/09/17
DATE	SCALE	DRAWING TYPE	INSTALLATION
08/02/19	1:16		
APPROVED	BY	SCALE	DATE

NOTES:


- 1 HOLE COMBINATION SHOWN BELOW IS FOR USE WITH LOW FOUNTAIN ON THE RIGHT AND HIGH FOUNTAIN ON THE LEFT. USE OPPOSITE HOLES FOR HIGH ON RIGHT AND LOW ON LEFT.
- 2 TO CHANGE FOUNTAIN MTG. SCREW LOCATIONS: FIRST REMOVE SCREWS AND THEN SQUEEZE CLIPS ON NUT RETAINER TO POP OUT. SNAP INTO NEW POSITIONS AND RE-ASSEMBLE SCREWS.
3. **IMPORTANT:** A L.H. LOW (OPTIONAL) CONFIGURATION WILL REQUIRE A DIFFERENT BACK PANEL AND THE WASTE AND SUPPLY DIMENSIONS SHOWN (*) MUST BE REVERSED.



4. HOLD ROUGH-IN DIMENSIONS ± 1/8" (3.2mm).

5. WHEN INSTALLING THIS UNIT, LOCAL, STATE OR FEDERAL CODES SHOULD BE ADHERED TO. FOR INSTALLATION HEIGHTS OTHER THAN SHOWN, DIMENSIONS MARKED (*) MUST BE ADJUSTED ACCORDINGLY.

**FOR USE WITH MODELS:
1011MS & 1011HPSMS**



INFO FAX : 1-888-FAX-HAWS (1-888-329-4297)
 1455 Kleppe Ln, Sparks NV, 89431
 Phone: 775-359-4712, Fax: 775-359-7424
 Haws Ag Bachweg 3 CH-3401 Burgdorf Switzerland
 Haws Mtg Pte Ltd 74 Sungai Kadut Loop Singapore 729531
 e-mail: haws@hawsco.com website: www.hawsco.com

MODEL(S): MOUNTING FRAME	0007080297
MTGFR.DF2	13161600
INFO FAX DOC #:	26843732
ISSUE:	1 OF 1

1920 INDEX

INSTALLATION WITH:	TYPICAL USES	SEE SHEET ...
1001/1011 BOWLS	HAWES SERIES 1001, H1001.8X, 1011, 1011.8X STYLE FOUNTAINS	3 DF 9
1109/1119 BOWLS		4 DF 9
1107/1117 BOWLS		5 DF 9
1311/1501 BOWLS		6 DF 9
1047		7 DF 9
6468		8 DF 9
CHILD HEIGHT	HAWES 1107P STD CONFIG CHILD HEIGHT, 1109P STD CONFIG CHILD HEIGHT, 1311P STD CONFIG CHILD HEIGHT	9 DF 9

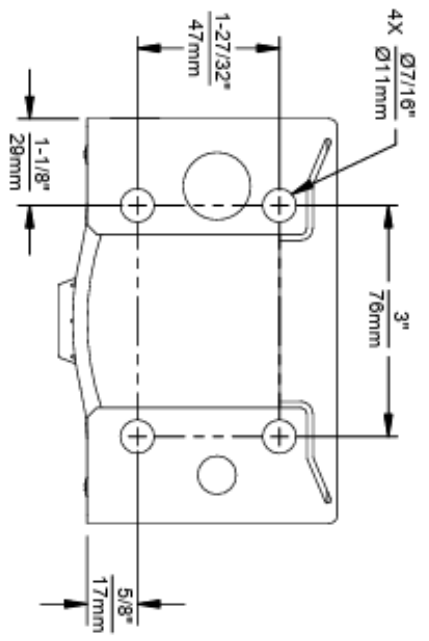
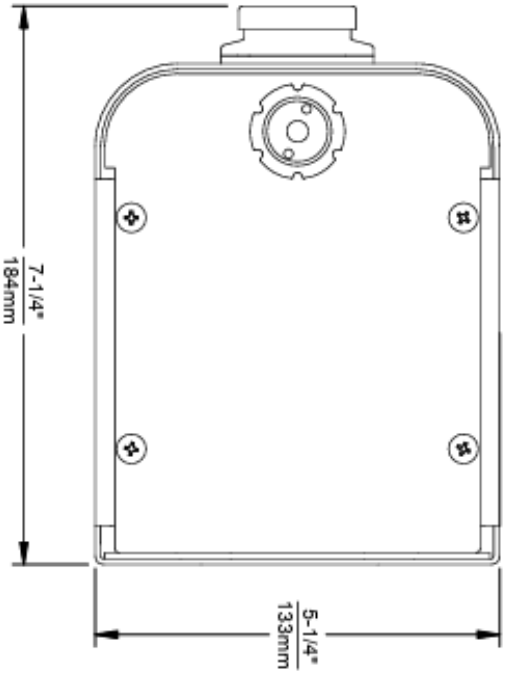
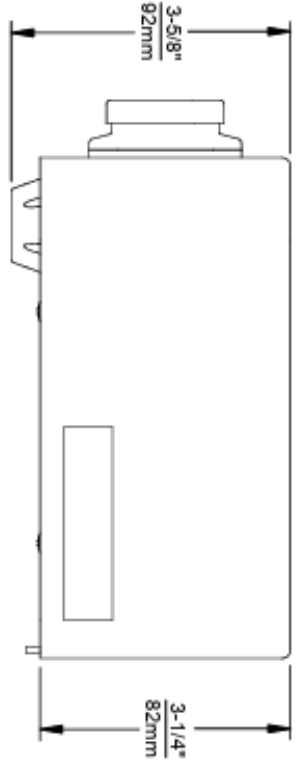


Haws
Since 1906

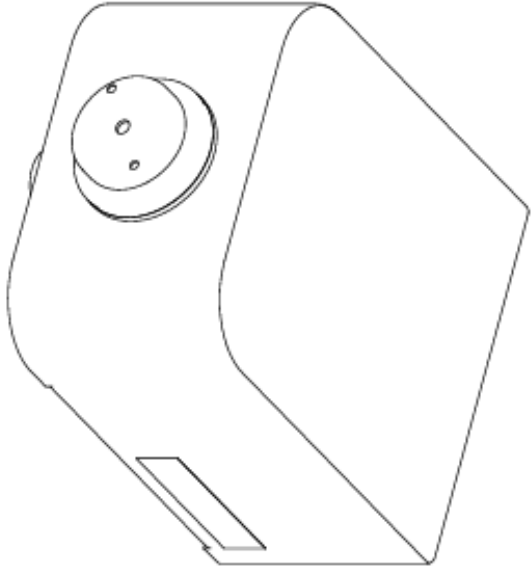
1455 KLEPPÉ LANE
SPARKS, NEVADA, 89431
(775) 359-4712 FAX (775) 359-7424
E-MAIL: HAWES@HAWESCO.COM
WEBSITE: WWW.HAWESCO.COM

ECN NO. REVISED PER: MODEL(S)
 9507 HENKELTJL JG 1920/1920HPS/1920W
 DRAWN BY: DATE: 01/28/24
 APPROVED: DATE: 01/28/24

SCALE: 1/4" = 1" CHAIRING TYPE: INSTALLATION
 PART NUMBER: 0510000490.D
 REVISION: 13



1920 SERIES MOUNTING HOLE LOCATIONS
(3/8\"-16 UNC MOUNTING HARDWARE NOT SUPPLIED)

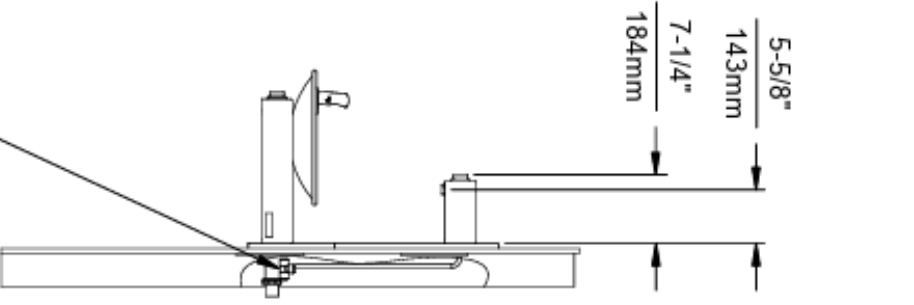
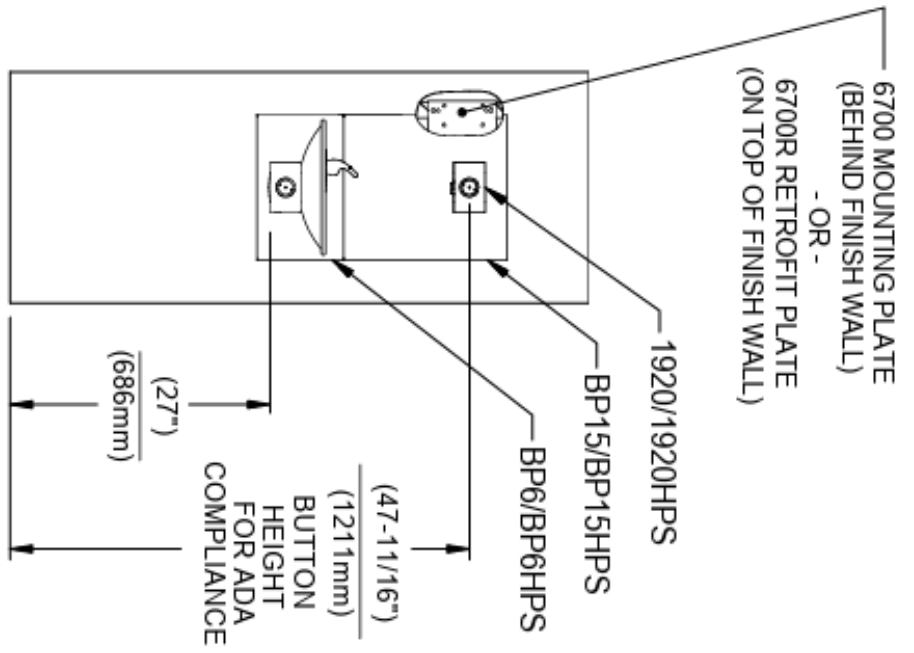
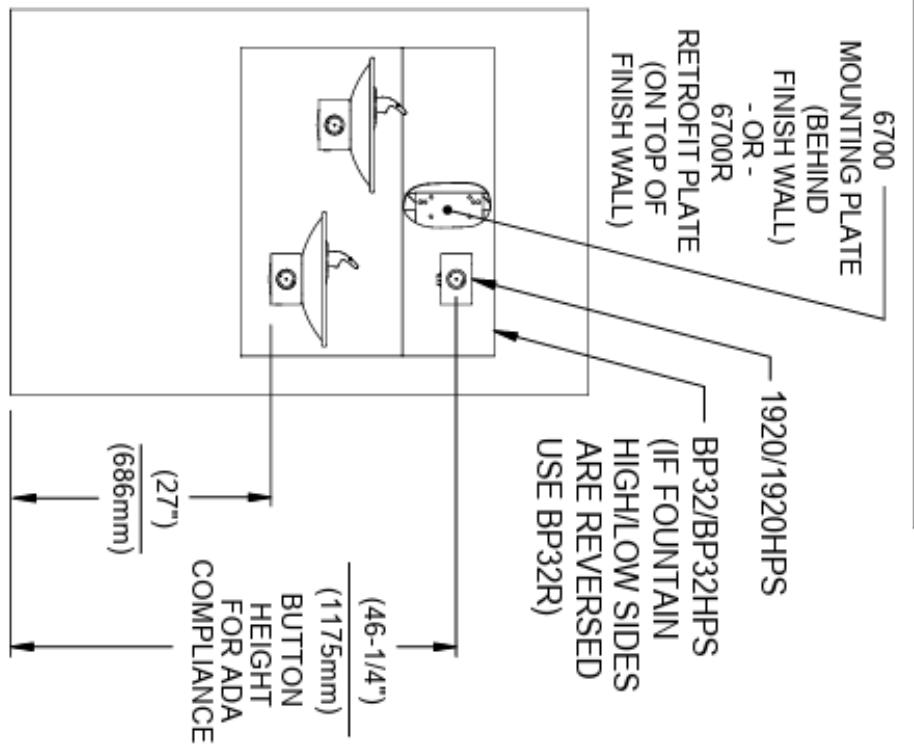


NOTES:

1. SEE SHEETS 2 THRU 7 FOR BOTTLE FILLER ADULT ADA HEIGHT APPLICATIONS AND SHEET 8 FOR CHILD ADA HEIGHT APPLICATIONS.
2. WHEN INSTALLING THIS UNIT, LOCAL, STATE OR FEDERAL CODES SHOULD BE ADHERED TO FOR INSTALLATION LOCATIONS, WASTE & SUPPLY REQUIREMENTS OTHER THAN SHOWN.

©2024 Haws Corporation - All Rights Reserved. HAWS® and other trademarks used in these materials are the exclusive property of Haws Corporation.

Haws Since 1906		1455 KLEPPÉ LANE SPARKS, NEVADA, 89431 (775) 359-4712 FAX (775) 359-7424 E-MAIL: HAW@HAWSCO.COM WEBSITE: WWW.HAWSCO.COM	
ECN NO. REVISED PER:	MODEL(S)	1920/1920HPS/1920W	
DRAWN BY: JG	DATE: 09/23/18	SCALE: 1/4"	CHANGING TYPE: INSTALLATION
APPROVED BY: JG	DATE: 09/23/18	SIZE: A	SHEET 2 OF 9
PART NUMBER: 0510000490.D		REVISION: 13	

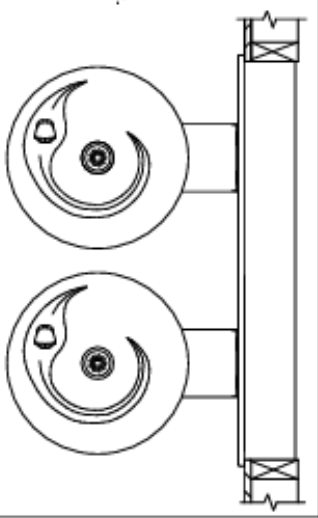


INSTALLATION ABOVE HAWS 1011 & H1011.8 SERIES

INSTALLATION ABOVE HAWS 1001 & H1001.8 SERIES

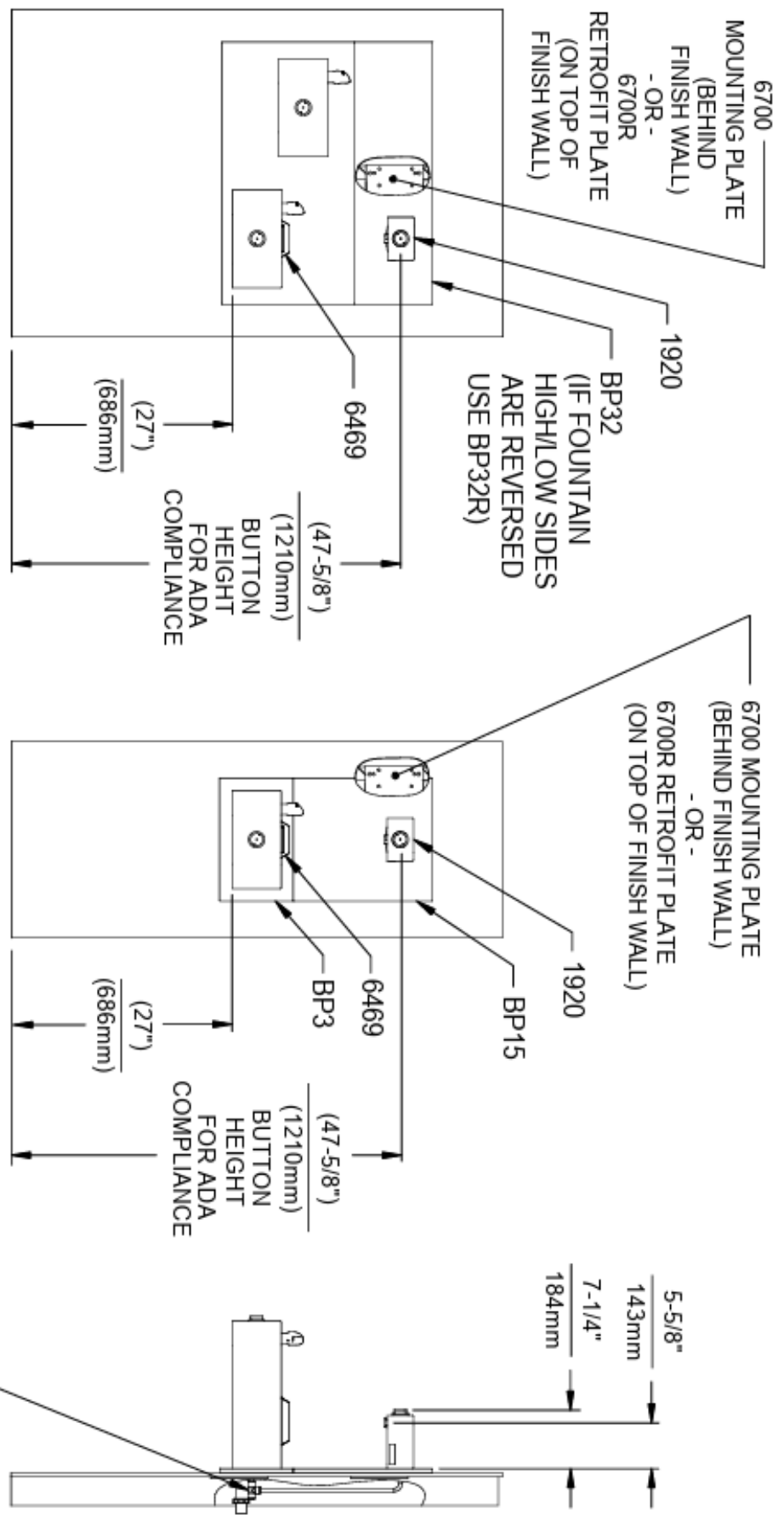
* IF YOUR FOUNTAIN IS THIS STYLE USE THESE DIMENSIONS

1. SEE SEPARATE INSTALLATION DRAWINGS FOR MOUNTING PLATES AND BACK PANELS (SHOWN FOR REFERENCE - NOT SUPPLIED).
2. WHEN INSTALLING THIS UNIT, LOCAL, STATE OR FEDERAL CODES SHOULD BE ADHERED TO FOR INSTALLATION LOCATIONS, WASTE & SUPPLY REQUIREMENTS OTHER THAN SHOWN.



3/8" O.D. SUPPLY TUBING AND 3/8" O.D. PUSH-IN TEE SUPPLIED. (CONNECT TO FOUNTAIN SUPPLY LINE)

Haws Since 1906		1455 KLEPPE LANE SPARKS, NEVADA, 89431 (775) 359-4712 FAX (775) 359-7424 E-MAIL: HAW9@HAWSCO.COM WEBSITE: WWW.HAWSCO.COM	
ECN NO. REVISED PER: JG	MODEL(S)	1920/1920HPS/1920W	PART NUMBER
DRAWN: DATE: 01/23/12	DATE: 05		0510000490.D
APPROVED: DATE: 11/29/14	SCALE: 1/4"	DRAWING TYPE: INSTALLATION	REVISION
13			13

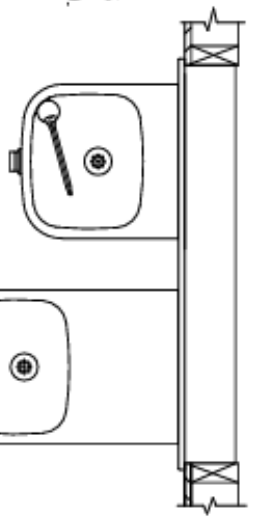


INSTALLATION ABOVE HAWS 1119 & H1119.8 SERIES

**INSTALLATION ABOVE HAWS 1109 & H1109.8 SERIES
SEE SHEET 8 FOR INSTALLATION AT CHILD HEIGHT**

* IF YOUR FOUNTAIN IS THIS STYLE USE THESE DIMENSIONS

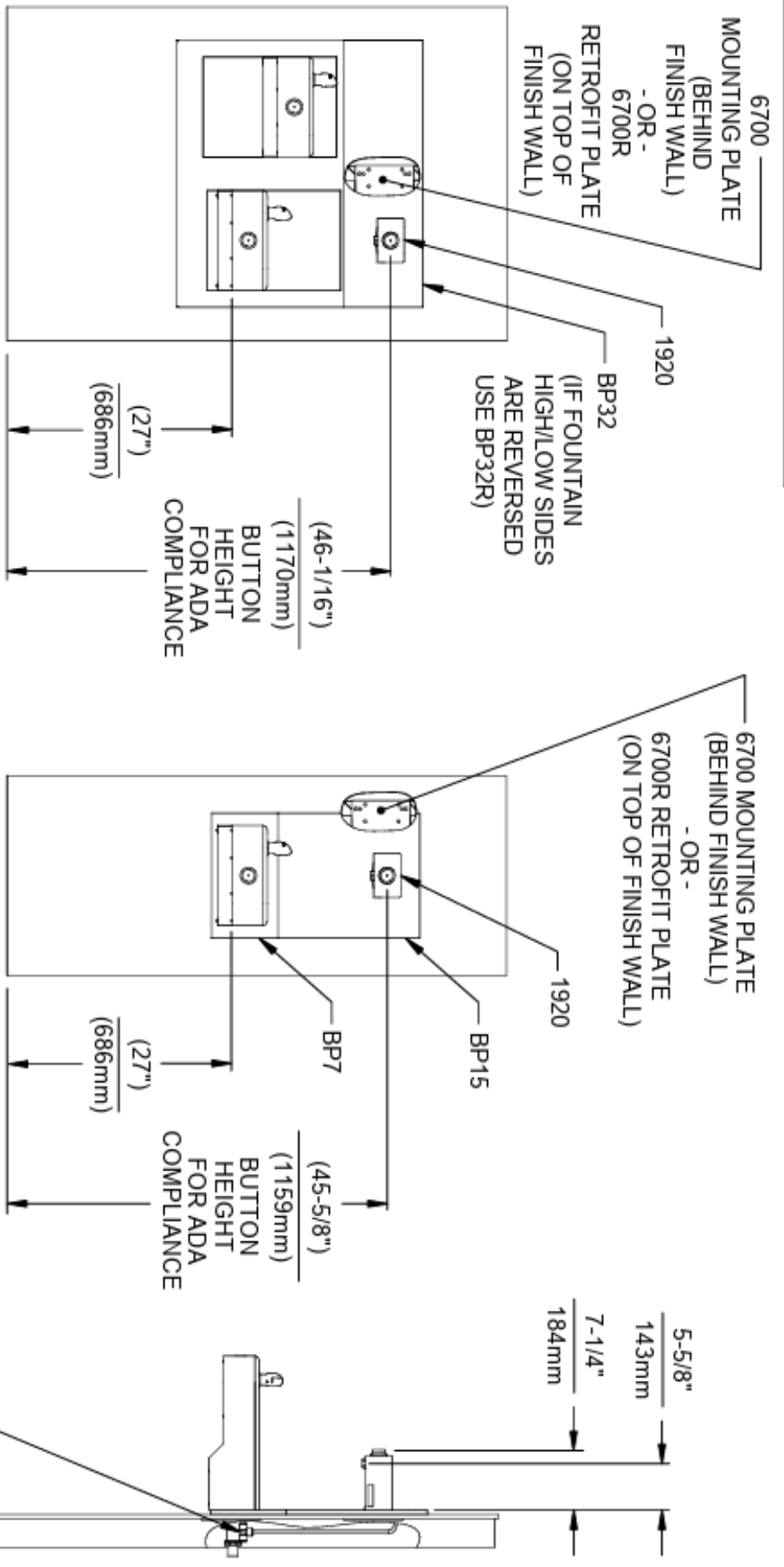
1. SEE SEPARATE INSTALLATION DRAWINGS FOR MOUNTING PLATES AND BACK PANELS (SHOWN FOR REFERENCE - NOT SUPPLIED).
2. WHEN INSTALLING THIS UNIT, LOCAL, STATE OR FEDERAL CODES SHOULD BE ADHERED TO FOR INSTALLATION LOCATIONS, WASTE & SUPPLY REQUIREMENTS OTHER THAN SHOWN.



3/8" O.D. SUPPLY TUBING AND 3/8" O.D. PUSH-IN TEE SUPPLIED. (CONNECT TO FOUNTAIN SUPPLY LINE)



ECN NO.	REVISED PER:	DATE	SCALE	DATE	INSTALLATION	SHEET	OF
5081	ENK/SLT	01/23/12	1/4"	11/29/24		4	9
APPROVED:	DATE	SCALE	DATE	INSTALLATION	SHEET	OF	
MD	01/23/12	1/4"	11/29/24		4	9	
MODEL(S)		1920/1920HPS/1920W					
PART NUMBER		0510000490.D					
REVISION		13					
1455 KLEPPE LANE		SPARKS, NEVADA, 89431					
(775) 359-4712		FAX (775) 359-7424					
E-MAIL: HAW@HAWSCO.COM		WEBSITE: WWW.HAWSCO.COM					

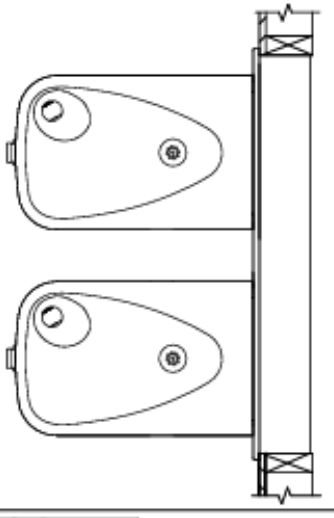


INSTALLATION ABOVE HAWS 1117L & H1117.8 SERIES

**INSTALLATION ABOVE HAWS 1107L & H1107.8 SERIES
SEE SHEET 8 FOR INSTALLATION AT CHILD HEIGHT**

* IF YOUR FOUNTAIN IS THIS STYLE USE THESE DIMENSIONS

1. SEE SEPARATE INSTALLATION DRAWINGS FOR MOUNTING PLATES AND BACK PANELS (SHOWN FOR REFERENCE - NOT SUPPLIED).
2. WHEN INSTALLING THIS UNIT, LOCAL, STATE OR FEDERAL CODES SHOULD BE ADHERED TO FOR INSTALLATION LOCATIONS, WASTE & SUPPLY REQUIREMENTS OTHER THAN SHOWN.



3/8" O.D. SUPPLY TUBING AND 3/8" O.D. PUSH-IN TEE SUPPLIED. (CONNECT TO FOUNTAIN SUPPLY LINE)

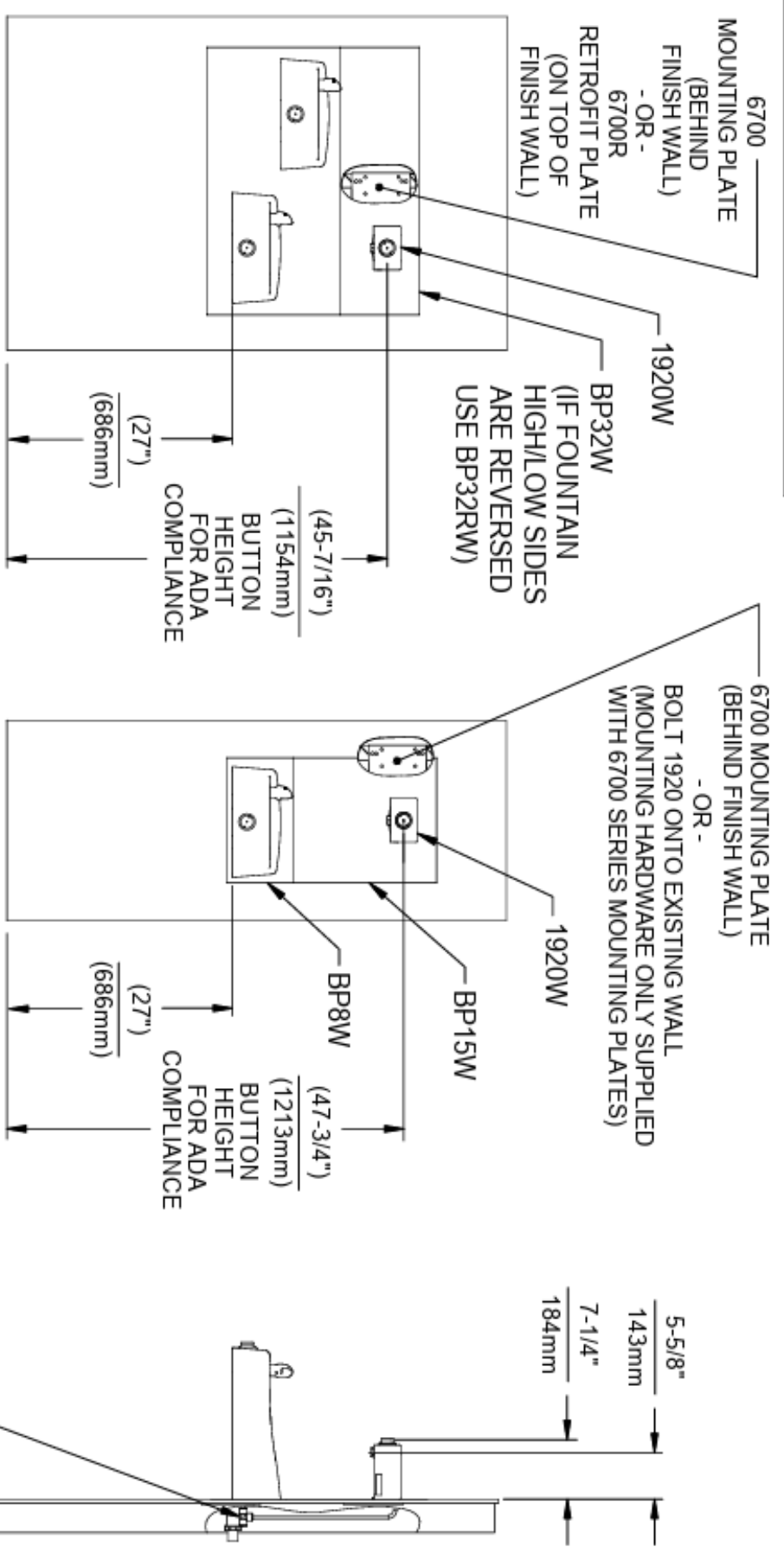


Haws
Since 1906

EQUIP. NO.	REVISED MEMBER	MODEL(S)	INSTALLATION
DATE	DATE		DATE
APPROVED BY	DATE	SCALE	CHANGING TYPE

1455 KLEPPE LANE
SPARKS, NEVADA, 89431
(775) 359-4712 FAX (775) 359-7424
E-MAIL: HAW9@HAWSCOO.COM
WEBSITE: WWW.HAWSCOO.COM

PART NUMBER: 0510000490.D
REVISION: 13

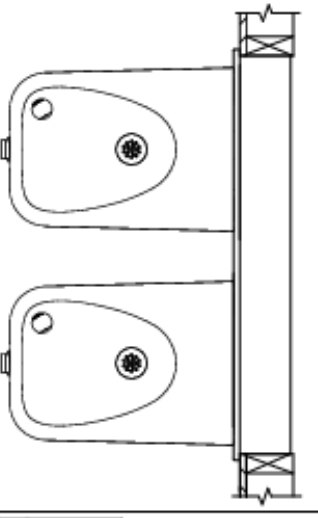


INSTALLATION ABOVE HAWS 1501

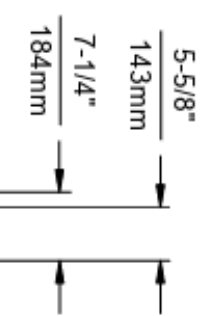
**INSTALLATION ABOVE HAWS 1311
SEE SHEET 8 FOR INSTALLATION AT CHILD HEIGHT**

* IF YOUR FOUNTAIN IS THIS STYLE USE THESE DIMENSIONS

1. SEE SEPARATE INSTALLATION DRAWINGS FOR MOUNTING PLATES AND BACK PANELS (SHOWN FOR REFERENCE - NOT SUPPLIED).
2. WHEN INSTALLING THIS UNIT, LOCAL, STATE OR FEDERAL CODES SHOULD BE ADHERED TO FOR INSTALLATION LOCATIONS, WASTE & SUPPLY REQUIREMENTS OTHER THAN SHOWN.



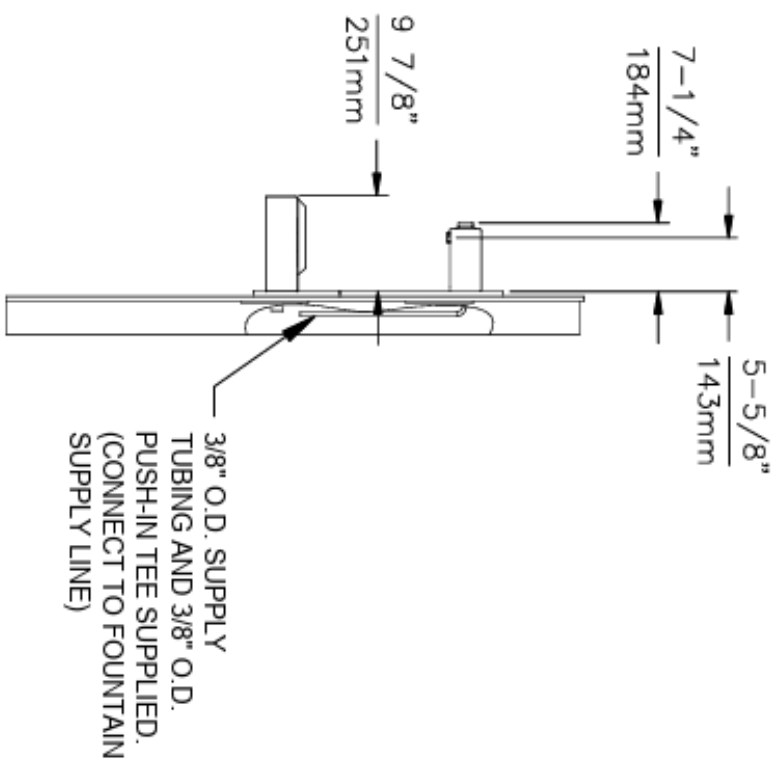
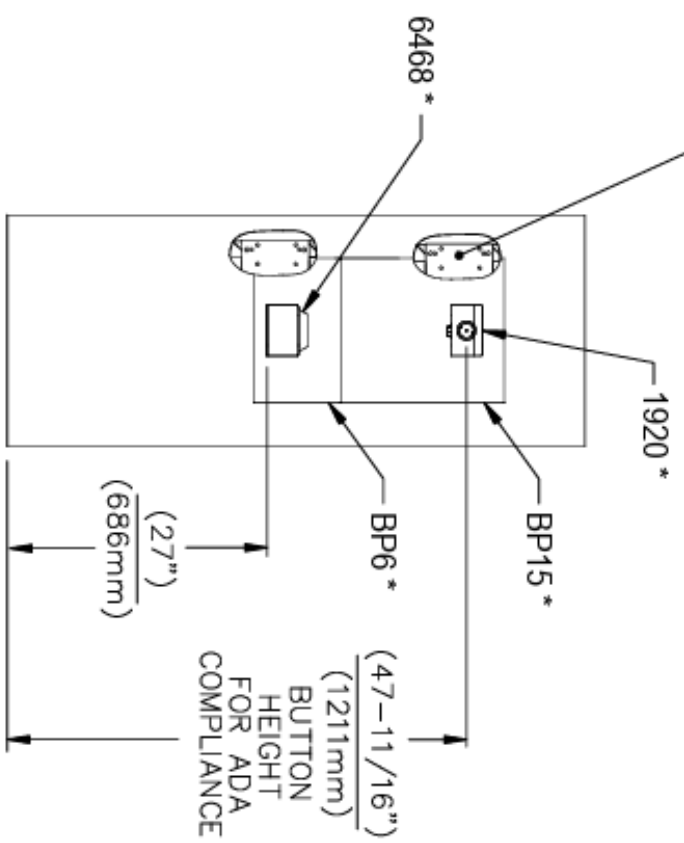
3/8" O.D. SUPPLY TUBING AND 3/8" O.D. PUSH-IN TEE SUPPLIED. (CONNECT TO FOUNTAIN SUPPLY LINE)



Haws Since 1906		1455 KLEPPÉ LANE SPARKS, NEVADA, 89431 (775) 359-4712 FAX (775) 359-7424 E-MAIL: HAW@HAWSCO.COM WEBSITE: WWW.HAWSCO.COM	
ENCL. NO. REVISED PER:	MODEL(S)	DATE	SCALE
5081	1920/1920HPS/1920W	02/13/17	1/4"
DRAWN BY: JMS	CHECKED BY: JMS	DATE: 02/13/17	SCALE: 1/4"
APPROVED BY: JMS	DATE: 02/13/17	SCALE: 1/4"	INSTALLATION
PART NUMBER: 0510000490.D		SHEET 6 OF 9	
REVISION: 13			

6700 MOUNTING PLATE
(BEHIND FINISH WALL)
-OR-
6700R RETROFIT PLATE
(ON TOP OF FINISH WALL)

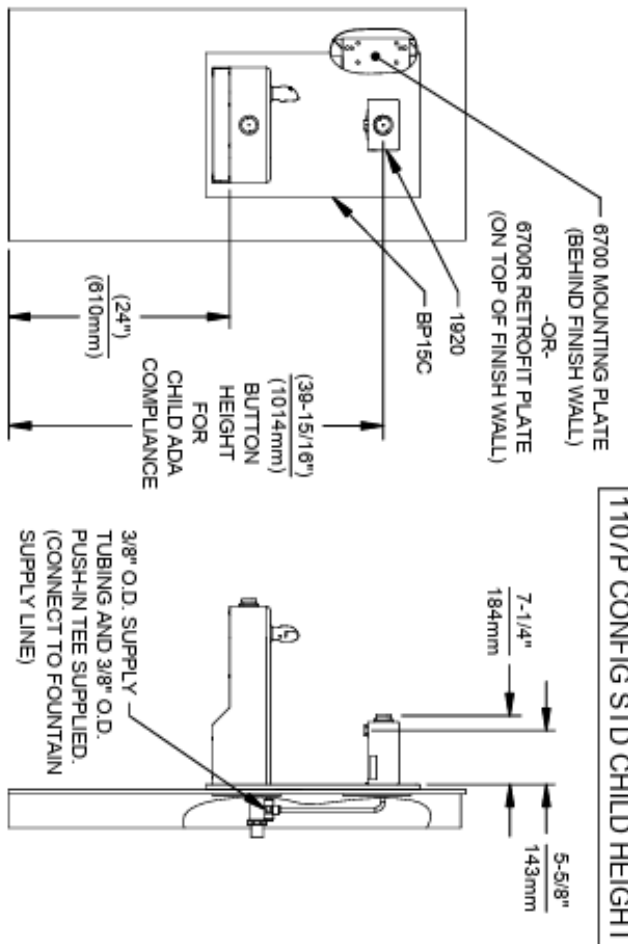
* MODELS 1920 (BOTTLE FILLER),
BP15, BP6 (BACK PANELS) AND
6468 (WASTE DRIP TRAY) ARE
ALL AVAILABLE TOGETHER AS
MODEL 1922.



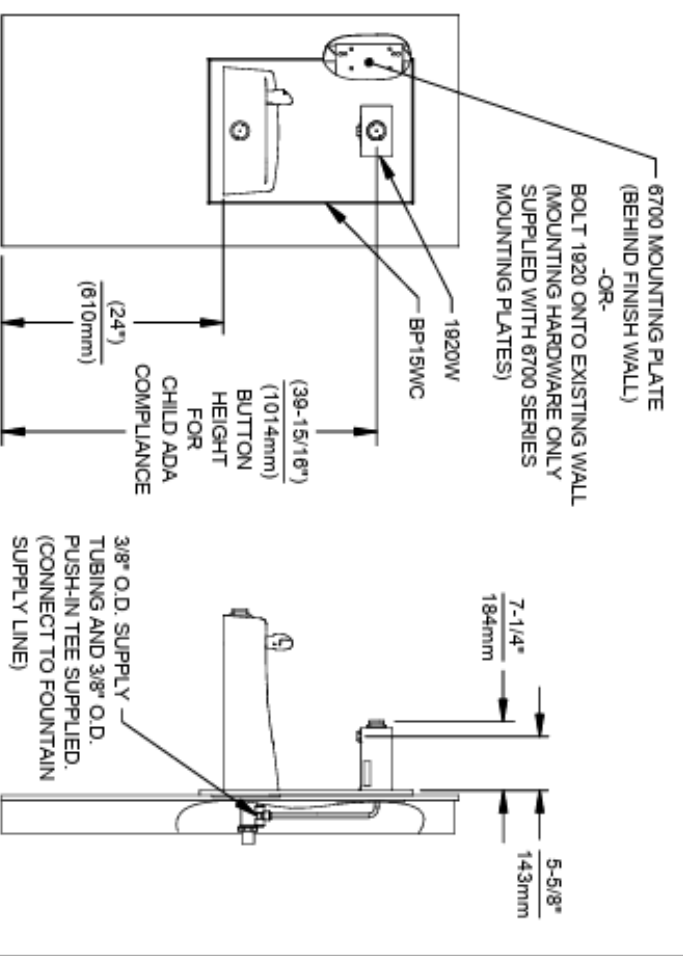
INSTALLATION ABOVE 6468

1. SEE SEPARATE INSTALLATION DRAWINGS FOR MOUNTING PLATE, WASTE DRIP TRAY AND BACK PANELS (SHOWN FOR REFERENCE - NOT SUPPLIED).
2. WHEN INSTALLING THIS UNIT, LOCAL, STATE OR FEDERAL CODES SHOULD BE ADHERED TO FOR INSTALLATION LOCATIONS, WASTE & SUPPLY REQUIREMENTS OTHER THAN SHOWN.

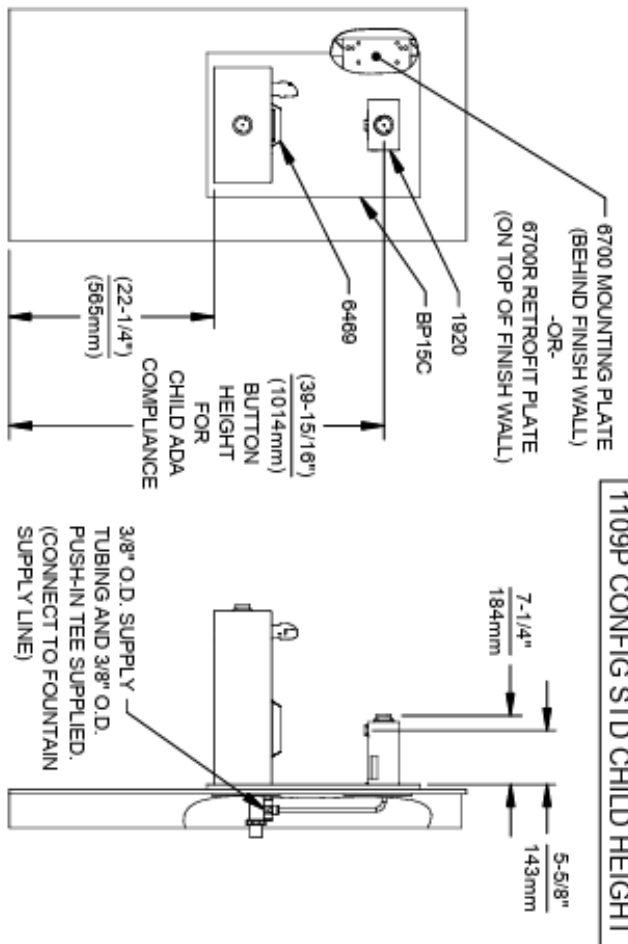
 <p>Haws Since 1906</p>		<p>1455 KLEPPE LANE SPARKS, NEVADA, 89431 (775) 359-4712 FAX (775) 359-7424 E-MAIL: HAW9@HAWSCO.COM WEBSITE: WWW.HAWSCO.COM</p>	
<p>ECN NO. REVISED PER: JG 9507 ENH. EST. DATE: 10/27/20 DRAWN BY: JG APPROVED BY: JG</p>	<p>MODEL(S) 1920/1920HPS/1920W</p>	<p>PART NUMBER 0510000490 D</p>	<p>REVISION 13</p>
<p>DATE: 11/29/24</p>	<p>SCALE: N/A</p>	<p>DRAWING TYPE: INSTALLATION</p>	<p>SHEET: A SHEET 8 OF 9</p>



INSTALLATION FOR 1107P CONFIG STD CHILD HEIGHT



INSTALLATION FOR 1311P CONFIG STD CHILD HEIGHT

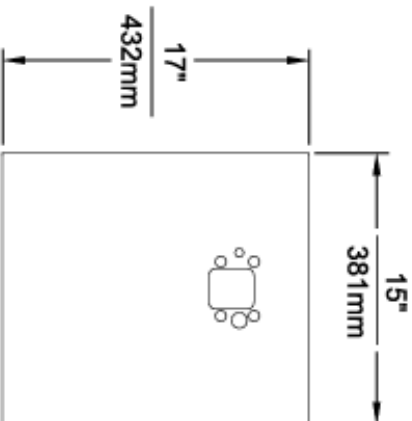


INSTALLATION FOR 1109P CONFIG STD CHILD HEIGHT
 MUST USE PARALLEL APPROACH WITH THIS BOWL COMBINATION

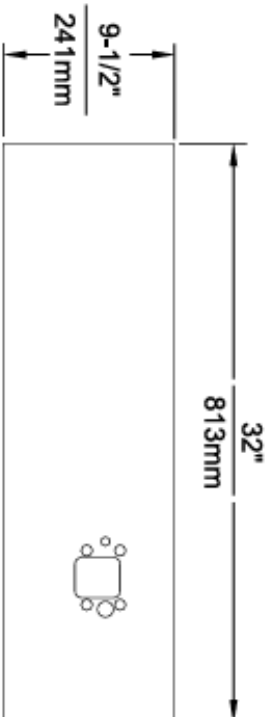
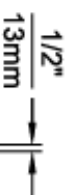
- NOTES:
- HEIGHT DIMENSIONS SHOWN ARE FOR CHILD ADA APPLICATIONS:
 - BOTTLE FILLER HEIGHT AT 40" MAX.
 - DRINKING FOUNTAIN BUBBLER HEIGHT AT 30" MAX. (SEE SHEETS 3, 4 & 5 FOR ADULT ADA HEIGHT DIMENSIONS)
 - SEE SEPARATE 6700 DRAWINGS FOR MOUNTING PLATES AND BACK PANELS (SHOWN FOR REFERENCE - SOLD SEPERATELY OR PART OF A BUNDLED PRODUCT).
 - WHEN INSTALLING THIS UNIT, LOCAL, STATE OR FEDERAL CODES SHOULD BE ADHERED TO FOR INSTALLATION LOCATIONS, WASTE & SUPPLY REQUIREMENTS OTHER THAN SHOWN.

1455 KLEPPE LANE
 SPARKS, NEVADA, 89431
 (775) 359-4712 FAX (775) 359-7424
 E-MAIL: HAW9@HAWSCO.COM
 WEBSITE: WWW.HAWSCO.COM

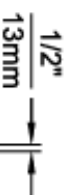
ECN NO. REVISED PER:	MODEL(S)	1920/1920HPS/1920W
9607		
DRAWN DATE	DATE	DATE
01/28/24	03	03
APPROVED DATE	SCALE	INSTALLATION
01/19/24	1/4"	
		SIZE: A SHEET 9 OF 9
		REVISION 13
		PART NUMBER 0510000490 D



MODEL BP15 / BP15HPS / BP15W



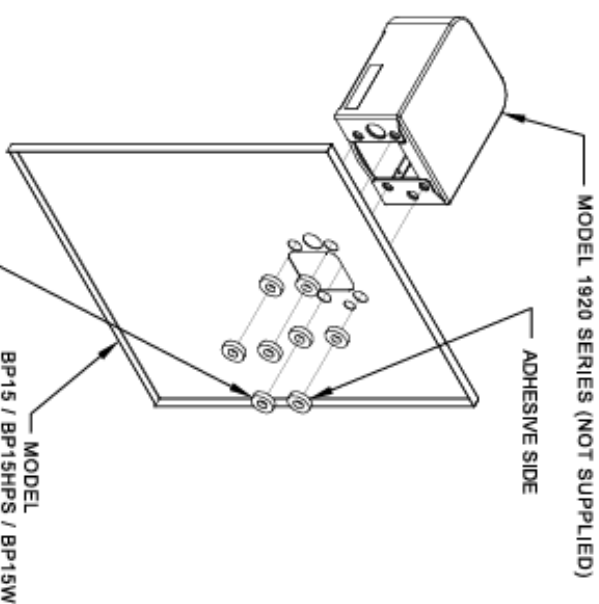
MODEL BP32 / BP32HPS / BP32W



NOTES:
 1. WHEN INSTALLING THIS UNIT, LOCAL, STATE OR FEDERAL CODES SHOULD BE ADHERED TO.

2. BOTTLE FILLER SHOWN FOR REFERENCE ONLY (NOT SUPPLIED).

8 SPACERS (2 PER MOUNTING BOLT IF THE MOUNTING PLATE (MODEL 6700 - NOT SUPPLIED) IS INSTALLED BEHIND THE FINISHED WALL. USE 1 SPACER PER BOLT FOR RETROFITS WHERE THE MOUNTING PLATE (MODEL 6700R - NOT SUPPLIED) IS INSTALLED IN FRONT OF THE FINISHED WALL)



INSTALLATION OVER SINGLE FOUNTAIN


SHOWN FROM REAR

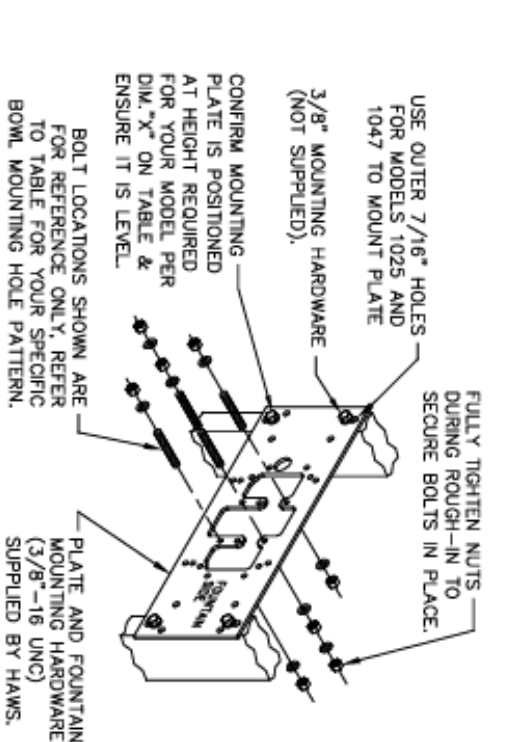
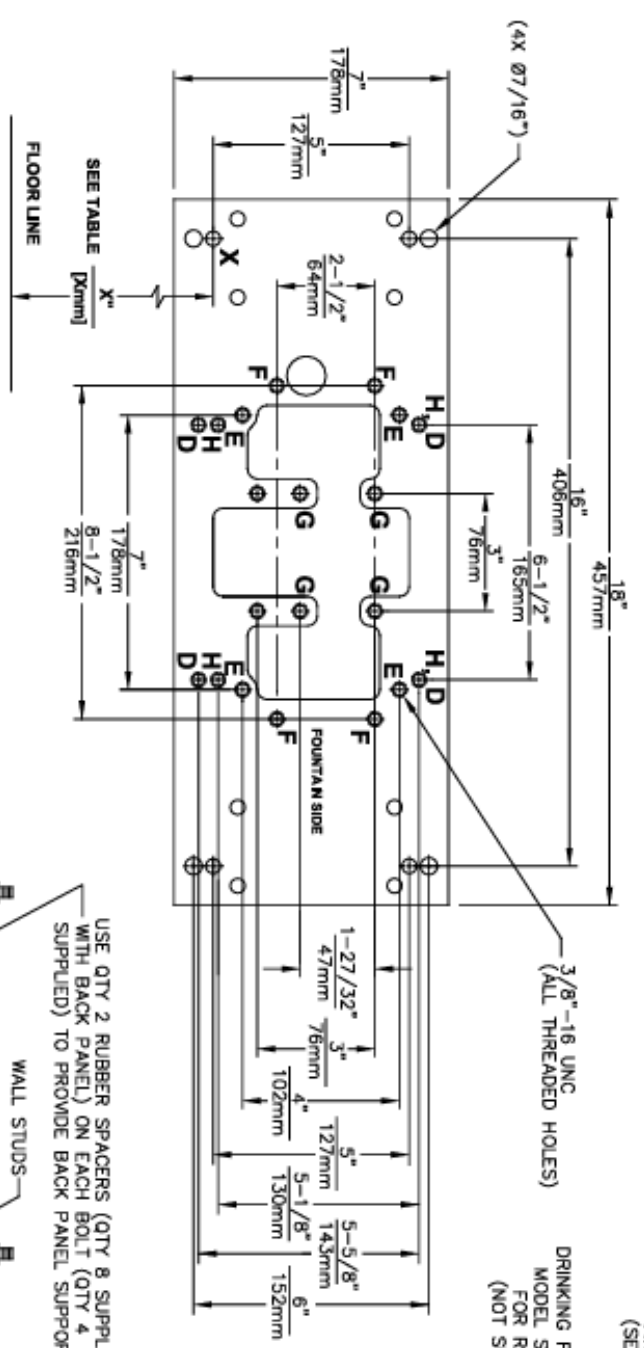
(SEE SHEET 3 OF 3 FOR INSTALLATION OF SPACERS ON COMBINATION BOTTLE FILLER AND FOUNTAIN BACK PANELS FOR CHILD HEIGHT APPLICATIONS - MODELS BP15C & BP15WC)

 <p>Haws Since 1906</p>		1455 KLEPPE LANE SPARKS, NEVADA, 89431 (775) 399-4712 FAX (775) 399-7424 E-MAIL: HAWS@HAWSCO.COM WEBSITE: WWW.HAWSCO.COM	
		DRAWING, BACK PANEL, SPACER INSTALLATION FOR BP15 SERIES & BP32 SERIES, BOTTLE FILLER	
EQN NO. REVISED PER BR: 03 EQN. DATE: 08/27/16 DRAWN BY: JCS APPROVED BY: JCS DATE: 08/15/16	MODEL(S) SCALE: 1:1 DRAWING TYPE: INSTALLATION	PART NUMBER REVISION: 6	SHEET 1 OF 3

6700 INDEX

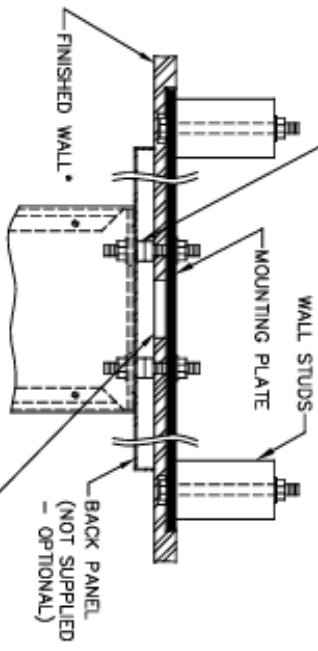
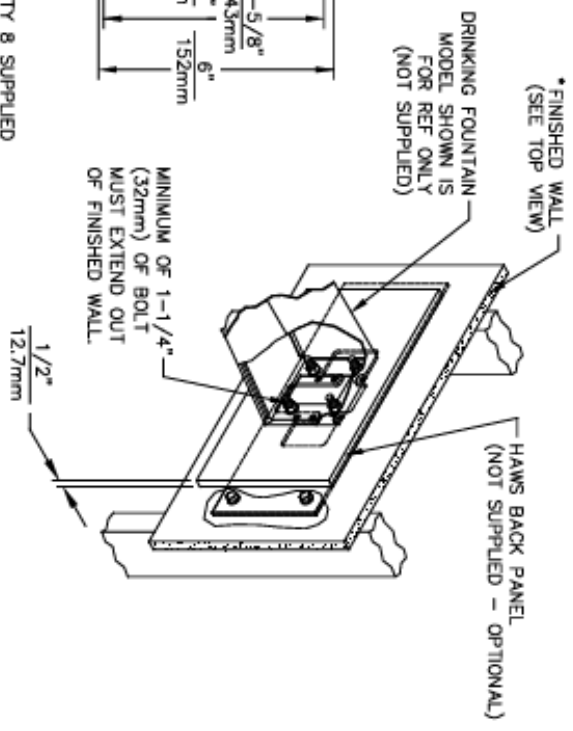
INSTALLATION WITH:	TYPICAL USES	SEE SHEET...
GENERAL INSTALLATION	IMPORTANT INFORMATION FOR ALL INSTALLATIONS	3 OF 6
1001 BOWLS	HAWS SERIES 1001X, 1001.8X	3 OF 6
1107 BOWLS	HAWS SERIES 1107X, 1107.8X	3 OF 6
1109 BOWLS	HAWS SERIES 1109X, 1109.8X	3 OF 6
1047 BOWLS	HAWS SERIES 1047	4 OF 6
1011 BOWLS	HAWS SERIES 1011X, 1011.8X	4 OF 6
1119 BOWLS	HAWS SERIES 1119X, 1119.8X	4 OF 6
1117 BOWLS	HAWS SERIES 1117X, 1117.8X	5 OF 6
1311 BOWLS	HAWS SERIES 1311	5 OF 6
1501 BOWLS	HAWS SERIES 1501	5 OF 6
CHILD HEIGHT	HAWS 1107PCH, 1109PCH, 1311PCH	6 OF 6

 <p>Haws Since 1906</p>		<p>1455 KLEPPE LANE SPARKS, NEVADA 89431 (775) 368-4172 FAX (775) 368-4124 E-MAIL: HAWS@HAWSCO.COM WEBSITE: WWW.HAWSCO.COM</p>	
EQN. NO. REVISED	TECH. BY	MODEL(S)	
DRAWN: JS	DATE: 08/14/12	6700	
APPROVED: FV	DATE: 08/14/12	SCALE: N/A	DRAWING TYPE: INSTALLATION
<p>PART NUMBER 0002080016</p>		<p>REVISION 26</p>	



CAUTION

REGARDING CONCRETE/MASONRY WALL MOUNTING: DO NOT SECURE MOUNTING PLATE TO SAME SIDE OF WALL AS FOUNTAIN. AVOID COMPROMISING INTEGRITY OF WALL WHEN ANCHORING FOUNTAIN. IT IS RECOMMENDED THAT INSTALLER CALL TECHNICAL SUPPORT IF THERE ARE ANY QUESTIONS AS TO HOW TO OBTAIN A PROPER ANCHOR IN CONCRETE/MASONRY WALLS. 1-800-766-5612



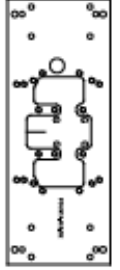
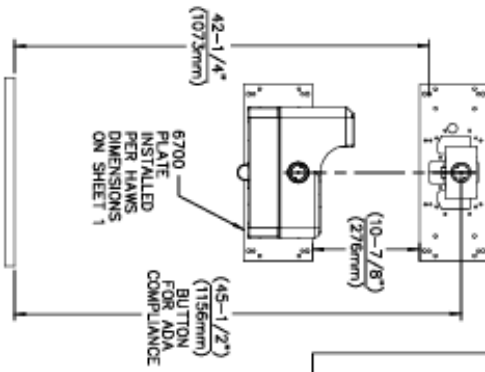
MODEL	USE BOWL MOUNTING PATTERN	USE "X" DIM. BELOW MOUNTING PLATE HOLE "X"	USE "Y" DIM. BELOW MOUNTING PLATE HOLE "Y"
1001	"G"	25-3/8" [645mm]	
1025	"D"	28-1/8" [714mm]	
1047	"E"	24-3/8" [619mm]	
1105	"H"	34-5/16" [872mm]	
1107	"F"	26-3/16" [665mm]	
1109	"H"	27-5/16" [694mm]	
1109A.14	"H"	27-5/16" [694mm]	
1109FR	"H"	27-5/16" [694mm]	
1311	"E"	26-3/4" [679mm]	
6468	"G"	25-3/8" [645mm]	WASTE DRIP TRAY (ONLY) AT 27" ADULT HEIGHT
1922	"G"	25-3/8" [645mm]	

FINISH WALL OVER MOUNTING PLATE AND BEHIND BACK PANEL. MAKE SURE THAT FINISHED WALL EXTENDS WITHIN THE BRACKET/BOWL MOUNTING HOLES (TO PROVIDE SURFACE AREA FOR RUBBER SPACERS TO CONTACT).



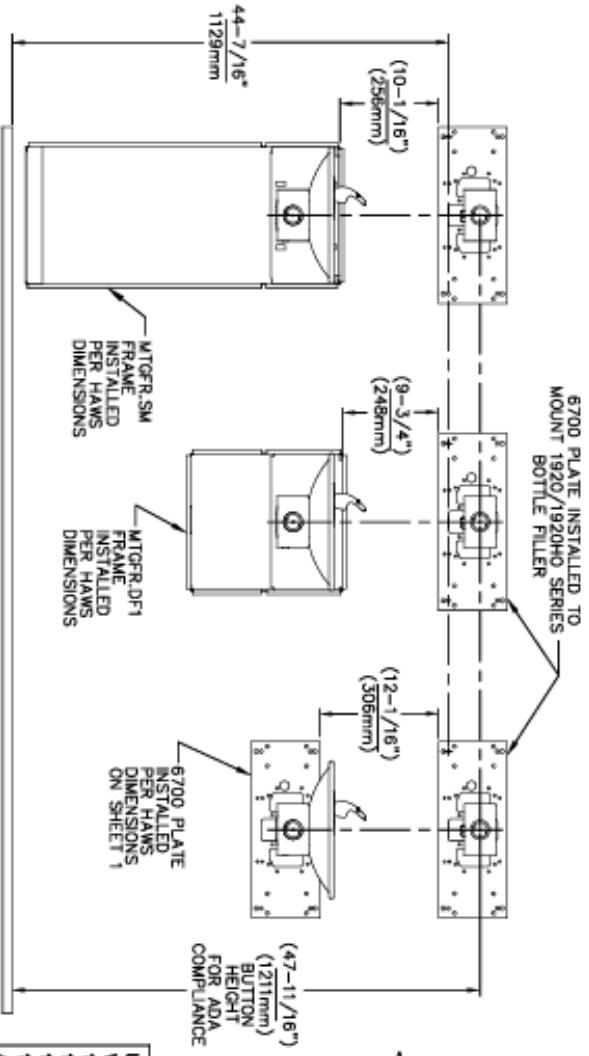
ESK NO. REVISED REF. BY:	DATE:	CHKD. BY:	DATE:	SCALE:	NO.:	DRAWING TYPE:	SHEET:	OF:
6700	06/18	AG	06/18				1	26
APPROVED:	DATE:	DATE:	DATE:	SCALE:	NO.:	DRAWING TYPE:	SHEET:	OF:
							1	26

6700 PLATE INSTALLED TO MOUNT 1920/1920HO SERIES BOTTLE FILLER

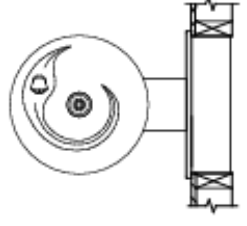


FOR ALL BOTTLE FILLERS USE MOUNTING HOLES "G" (3/8" - 16 UNC) AND FOLLOW APPLICABLE INSTRUCTIONS LISTED ON SHEET 1.

USE THESE DIMENSIONS WITH HAWS MODEL: 1047 AT 27" ADULT HEIGHT

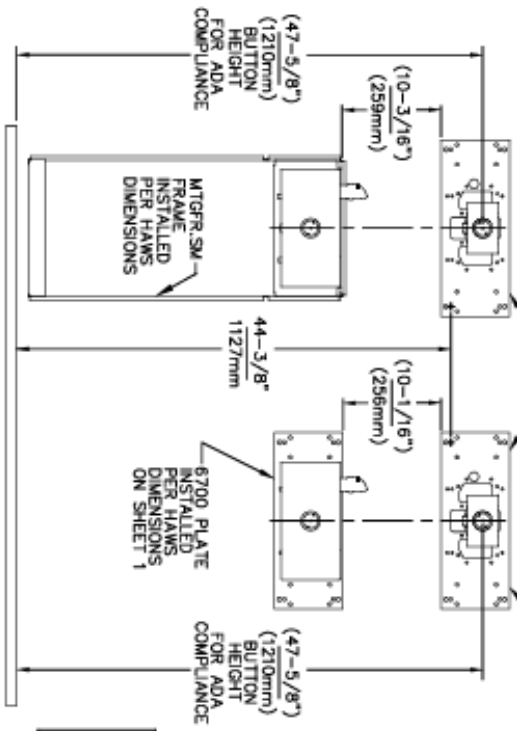


6700 PLATE INSTALLED TO MOUNT 1920/1920HO SERIES BOTTLE FILLER

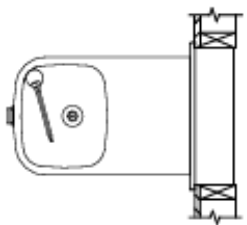


USE THESE DIMENSIONS WITH HAWS MODELS: 1001, 1001HO, 1001HPS, 1001HPSMS, 1001IMS, 1001IMSHO, 1001I, 1001JHO & 1001JHPS AT 27" ADULT HEIGHT

6700 PLATE INSTALLED TO MOUNT 1920/1920HO SERIES BOTTLE FILLER

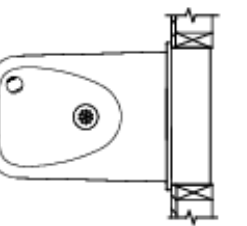
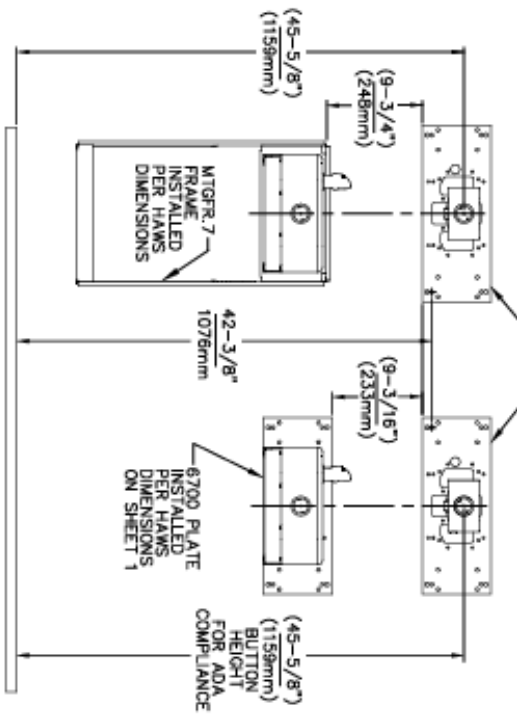


6700 PLATE INSTALLED TO MOUNT 1920FR BOTTLE FILLER



USE THESE DIMENSIONS WITH HAWS MODELS: 1109, 1109.14, 1109FR, 1109FRB, 1109FRP, 1109J, AT 27" ADULT HEIGHT

6700 PLATE INSTALLED TO MOUNT 1920/1920HO SERIES BOTTLE FILLER



USE THESE DIMENSIONS WITH HAWS MODELS: 1107, 1107.8 AT 27" ADULT HEIGHT

NOTES:

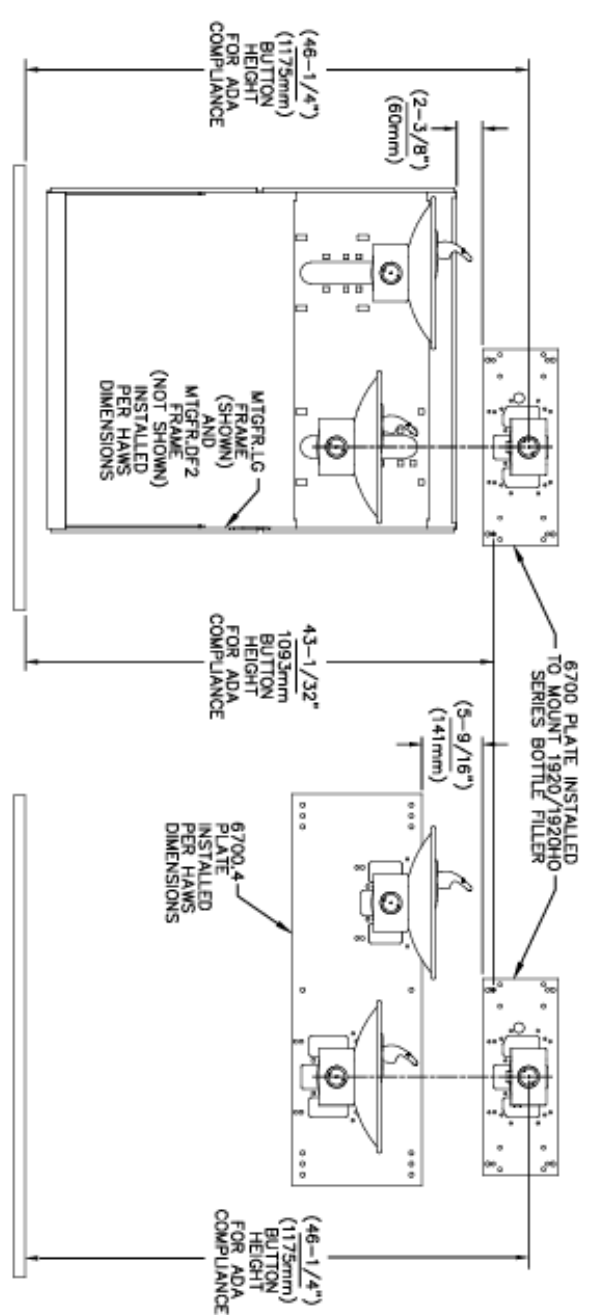
1. WHEN INSTALLING THIS UNIT, LOCAL, STATE OR FEDERAL CODES SHOULD BE ADHERED TO.
2. BACK PANELS (OPTIONAL) NOT SHOWN FOR CLARITY.

6700 MOUNTING PLATE FOR USE WITH BOTTLE FILLER

(SEE SHEET 1 FOR USE WITH DRINKING FOUNTAINS)



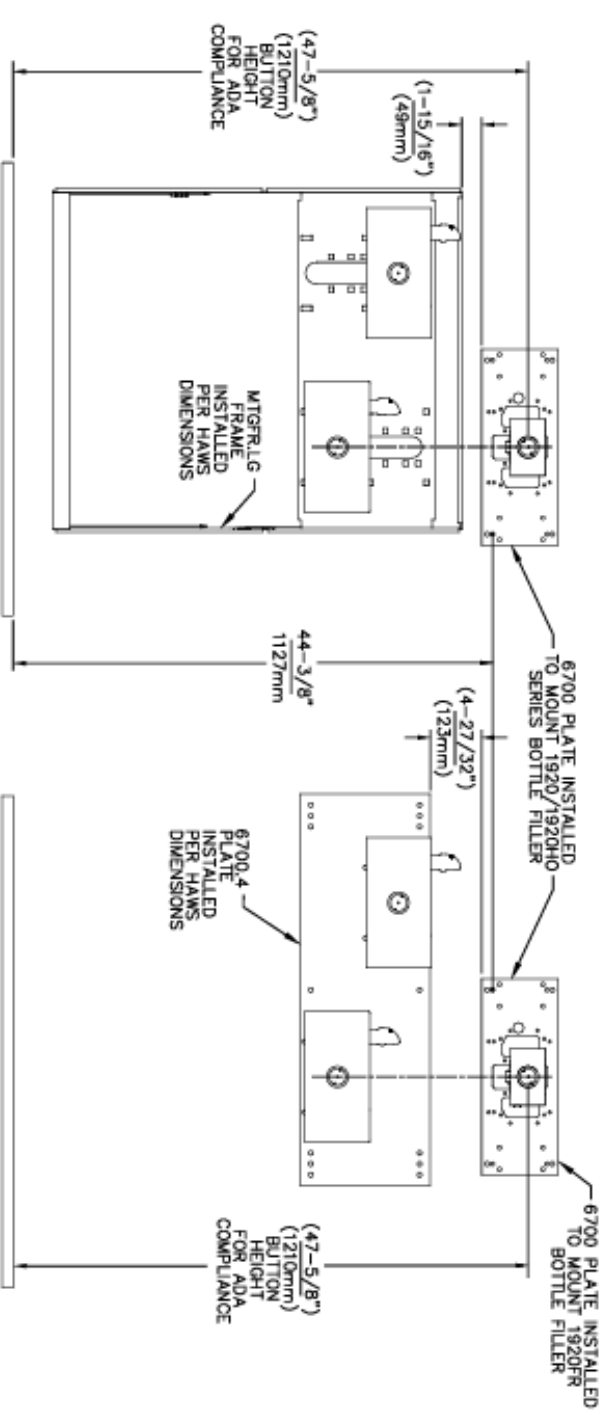
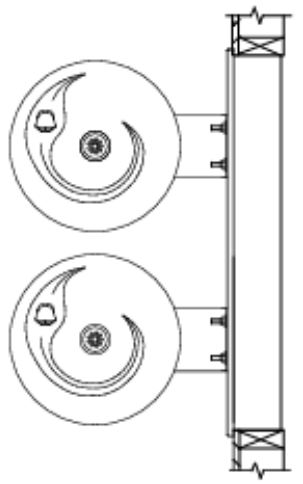
ESN NO. REVISED REF.:	AS	MODEL(S)	6700
DRAWN:	DATE:	CHKD:	
APPROVED:	DATE:	CHKD:	
SCALE:	DRAWING TYPE:	INSTALLATION	SHEET 3 OF 8



USE THESE MOUNTING DIMENSIONS IF INSTALLING OVER HAWS FOUNTAIN MODEL: 1011, 1011HO, 1011HO2, 1011HP, 1011HPSHO, 1011HPSHO2, 1011HPSMS, 1011MS, 1011MSHO, 1011MSHO2, 1011-B, 1011-BHO, 1011-BHO2 & 1011-BHPSM AT 27" ADULT HEIGHT

INSTALL THE 6700 ABOVE THE FOUNTAIN MOUNTING PLATE OR FRAME AT THE DIMENSION SHOWN FOR CORRECT BACKPANEL SPACING

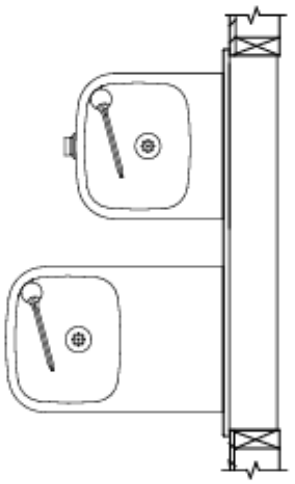
BACK PANELS FOR BOTTLE FILTERS (NOT SUPPLIED - OPTIONAL) ARE NOT SHOWN FOR CLARITY.



USE THESE MOUNTING DIMENSIONS IF INSTALLING OVER HAWS FOUNTAIN MODEL: 1119, 1119.14, 1119.14HO, 1119.14HO2, 1119FR, 1119FRB, 1119FRP, 1119HO, 1119HO2 & 1119.8 AT 27" ADULT HEIGHT


INSTALL THE 6700 ABOVE THE FOUNTAIN MOUNTING PLATE OR FRAME AT THE DIMENSION SHOWN FOR CORRECT BACKPANEL SPACING

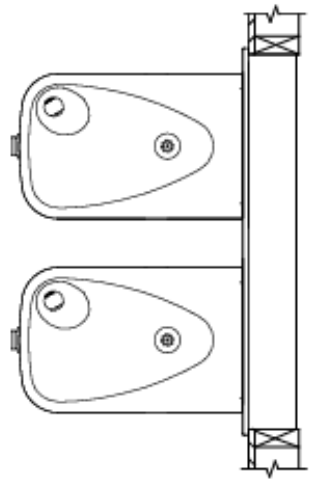
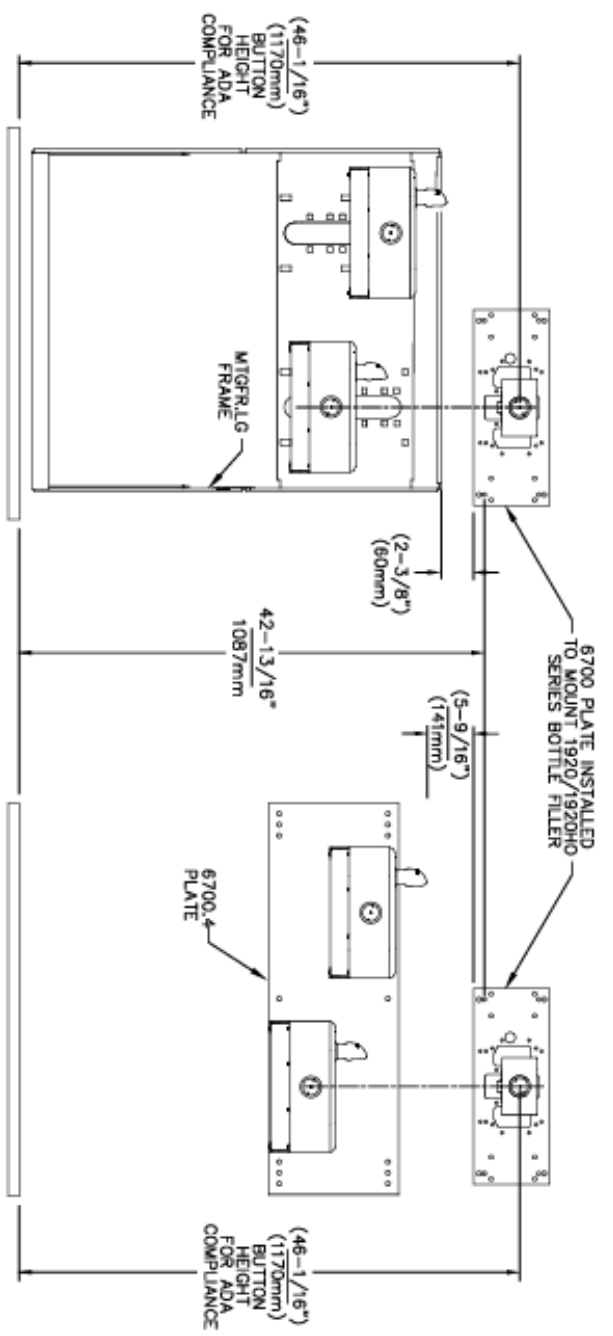
BACK PANELS FOR BOTTLE FILTERS (NOT SUPPLIED - OPTIONAL) ARE NOT SHOWN FOR CLARITY.



- NOTES:
1. WHEN INSTALLING THIS UNIT, LOCAL, STATE OR FEDERAL CODES SHOULD BE ADHERED TO.
 2. BACK PANELS (OPTIONAL) NOT SHOWN FOR CLARITY.

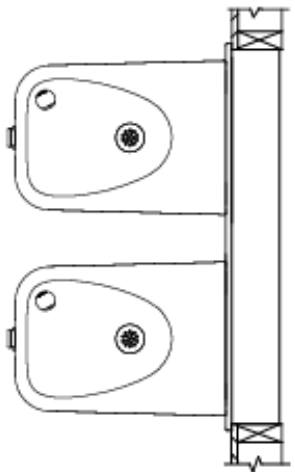
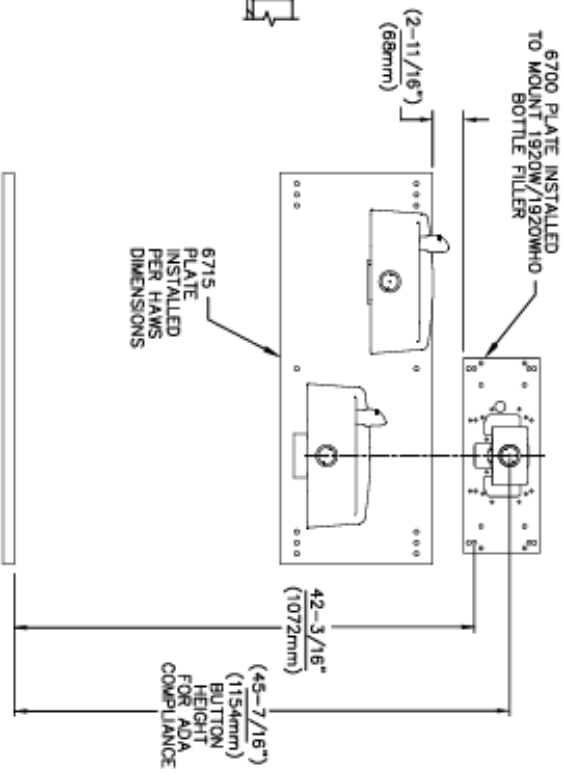
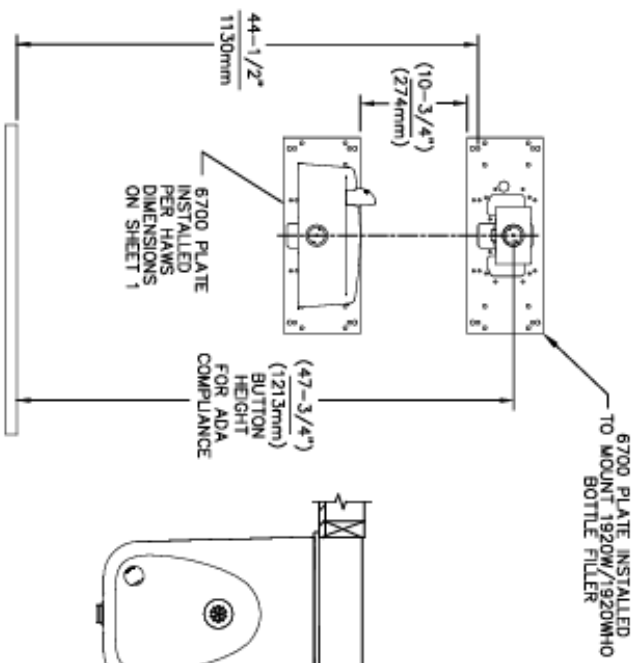
6700 MOUNTING PLATE FOR USE WITH BOTTLE FILLER (SEE SHEET 1 FOR USE WITH DRINKING FOUNTAINS)

		1455 KLEPPER LANE SPARKS, NEVADA, 89431 (775) 389-4712 FAX (775) 389-4424 E-MAIL: HAWS@HAWS.CO.COM WEBSITE: WWW.HAWS.CO.COM	
		Since 1906	
ECH NO. REVISION PERIOD 6540 ECH \$148 3/8	MODEL(S) 6700	APPROVED BY DATE: 03/11/20	SCALE: 1/16" DRAWING TYPE: INSTALLATION SHEET: A SHEET 4 OF 6
DRAWN BY DATE: 03/11/20	PART NUMBER 00002080016	REGION 26	



USE THESE MOUNTING DIMENSIONS IF INSTALLING OVER HAWS FOUNTAIN MODEL: 1117, 1117.8 AT 27\" ADULT HEIGHT

INSTALL THE 6700 ABOVE THE FOUNTAIN MOUNTING PLATE OR FRAME AT THE DIMENSION SHOWN FOR CORRECT BACKPANEL SPACING. BACK PANELS FOR BOTTLE FILLERS (NOT SUPPLIED - OPTIONAL) ARE NOT SHOWN FOR CLARITY.




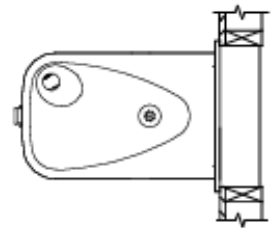
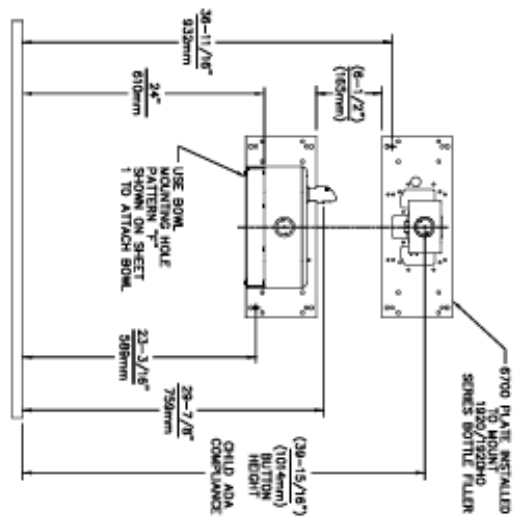
USE THESE MOUNTING DIMENSIONS IF INSTALLING OVER HAWS FOUNTAIN MODEL: 1314, 1501 AT 27\" ADULT HEIGHT

INSTALL THE 6700 ABOVE THE FOUNTAIN MOUNTING PLATE AT THE DIMENSION SHOWN FOR CORRECT BACKPANEL SPACING (IF APPLICABLE). BACK PANEL FOR BOTTLE FILLER (NOT SUPPLIED - OPTIONAL) IS NOT SHOWN FOR CLARITY.

- NOTES:
1. WHEN INSTALLING THIS UNIT, LOCAL, STATE OR FEDERAL CODES SHOULD BE ADHERED TO.
 2. BACK PANELS (OPTIONAL) NOT SHOWN FOR CLARITY.

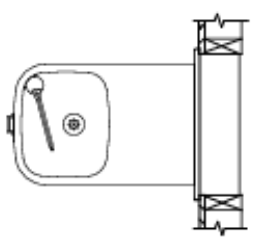
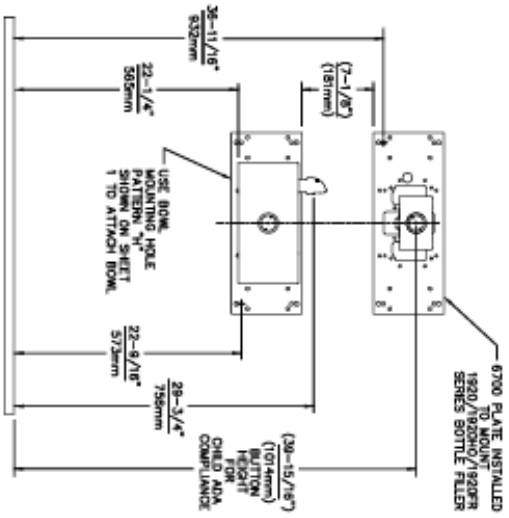
6700 MOUNTING PLATE FOR USE WITH BOTTLE FILLER (SEE SHEET 1 FOR USE WITH DRINKING FOUNTAINS)

		MODEL(S) 6700		
		1455 KLEPPER LANE SPARKS, NEVADA, 89431 (775) 389-4712 FAX (775) 389-4424 E-MAIL: HAWS@HAWSCO.COM WEBSITE: WWW.HAWSCO.COM		
ECN NO. REVISION PERIOD 6550 DATE: 08/01/08	ECN: \$148 DATE: 08/01/08 PV: 001/002	APPROVED: [Signature] DATE: 08/01/08	SCALE: 1/16 DRAWING TYPE: INSTALLATION	SHEET: 1 OF 6



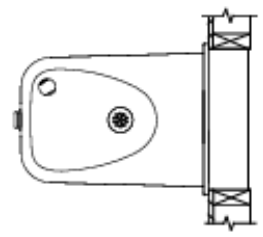
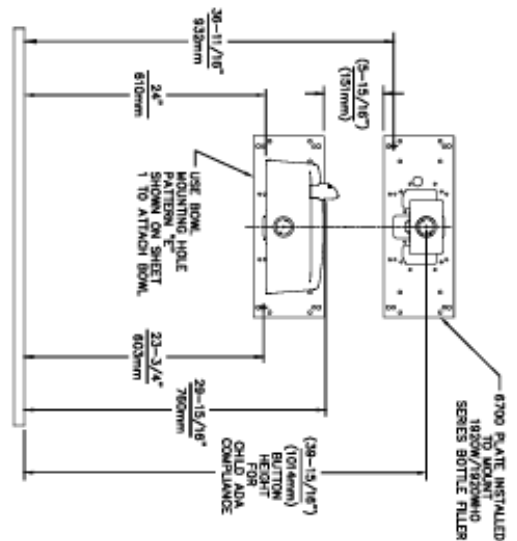
USE THESE DIMENSIONS WITH HAWS MODEL 1317PCH AT 24" CHILD HEIGHT*

6700 MOUNTING PLATE FOR USE WITH BOTTLE FILLER AT 40" MAX. AND DRINKING FOUNTAIN AT 24" AND BUBBLER HEIGHT AT 30" MAX. FOR CHILD ADA HEIGHT (SEE SHEETS 1 & 2 FOR USE WITH DRINKING FOUNTAIN AT 27" ADULT HEIGHT DIMENSIONS)



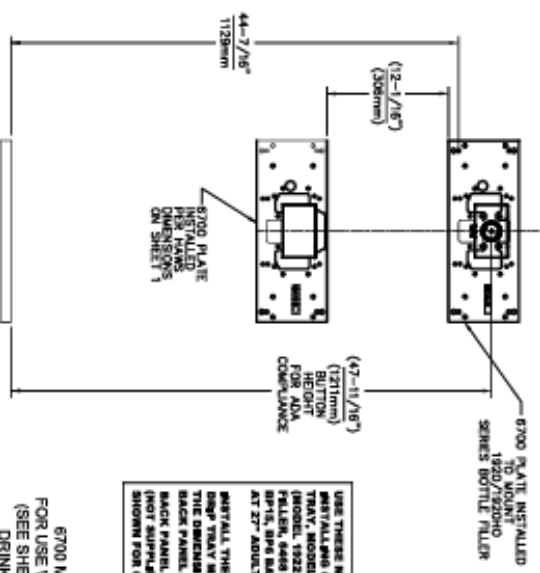
USE THESE DIMENSIONS WITH HAWS MODEL 14118P, 1189P, 1189P CHLD ADA BUBBLER HEIGHT* NOTE: MUST USE PARALLEL APPROACH WITH THIS BOWL COMBINATION.

NOTES:
1. WHEN INSTALLING THIS UNIT, LOCAL, STATE OR FEDERAL CODES SHOULD BE ADHERED TO.
2. ONE PIECE BACK PANELS BP15C (FOR USE WITH MODELS 1107L, 1109 SERIES & BOTTLE FILLER) & BP15MC (FOR USE WITH MODEL 1311 & BOTTLE FILLER) ARE USED FOR CHILD HEIGHT APPLICATIONS AND ARE OPTIONAL (NOT SHOWN FOR CLARITY).



USE THESE DIMENSIONS WITH HAWS MODEL 1317PCH AT 24" CHILD HEIGHT*

6700 MOUNTING PLATE FOR USE WITH BOTTLE FILLER AT 40" MAX. AND DRINKING FOUNTAIN AT 24" AND BUBBLER HEIGHT AT 30" MAX. FOR CHILD ADA HEIGHT (SEE SHEETS 1 & 4 FOR USE WITH DRINKING FOUNTAIN AT 27" ADULT HEIGHT DIMENSIONS)



INSTALL THE 6700 ABOVE THE DRIP TRAY MOUNTING PLATE AT THE DIMENSION SHOWN FOR CORRECT BACK PANEL SPACING IF APPLICABLE. NOT APPLICABLE FOR BOTTLE FILLER NOT SUPPLIED - OPTIONAL IS NOT SHOWN FOR CLARITY.

6700 MOUNTING PLATE FOR USE WITH BOTTLE FILLER (SEE SHEET 1 FOR USE WITH DRINKING FOUNTAINS AND WASTE DRIP TRAY)

Haws
Since 1906

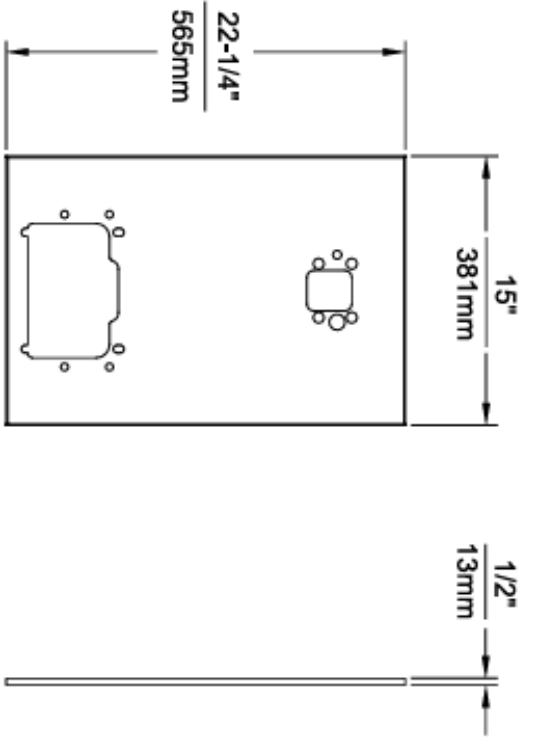
1455 KLEPPPE LANE
SPARKS, NEVADA 89431
(775) 389-4712 FAX (775) 389-4424
E-MAIL: HAWS@HAWS.CO.COM
WEBSITE: WWW.HAWS.CO.COM

ECN NO. REVISION PREP BY: JG
DATE: 02/01/2023
DRAWN: ESN:SLH
DATE: 02/01/2023
PV: JG

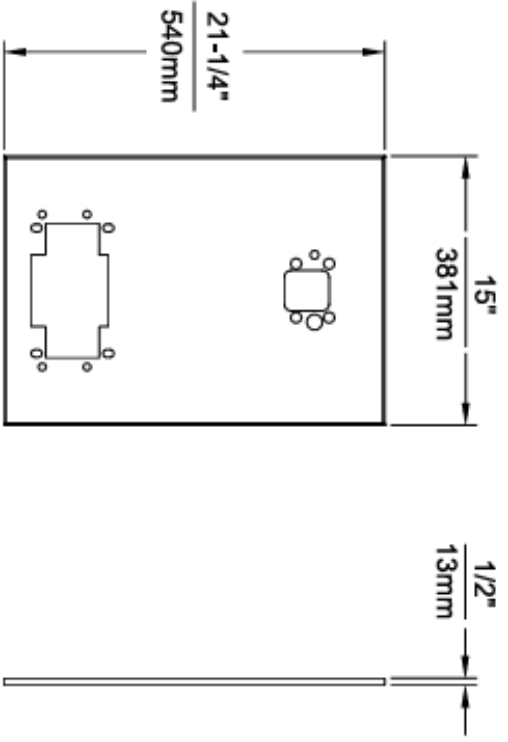
MODEL(S)
6700

SCALE: 1/16
DRAWING TYPE: INSTALLATION
SHEET: 1 OF 6

PART NUMBER: 00002080016
REGION: 26

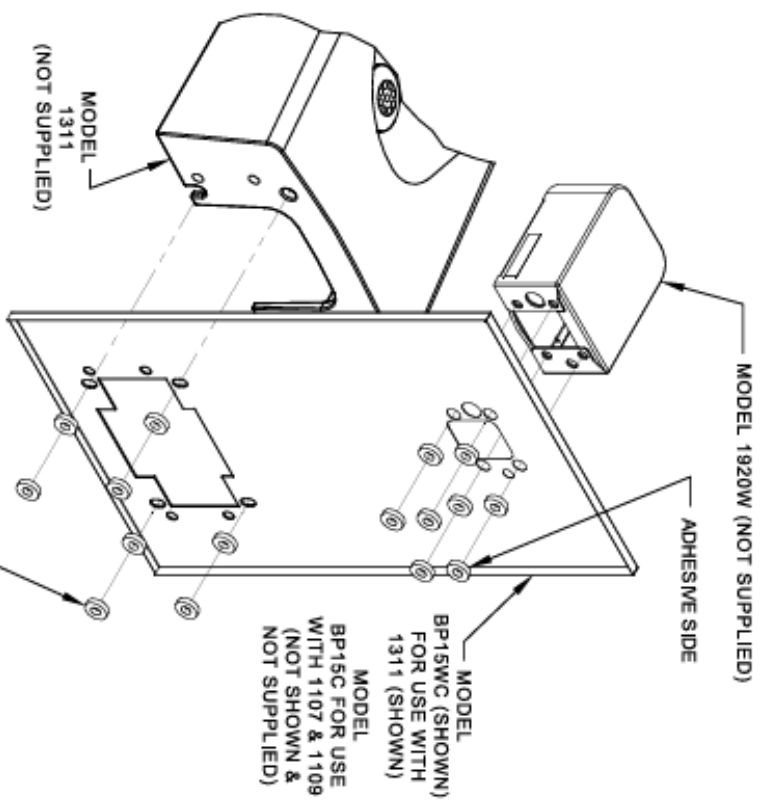


MODEL BP15C
(FOR MODELS 1107 & 1109)



MODEL BP15WC
(FOR MODEL 1311)

- NOTES:**
1. WHEN INSTALLING THIS UNIT, LOCAL, STATE OR FEDERAL CODES SHOULD BE ADHERED TO.
 2. BOTTLE FILLER AND DRINKING FOUNTAIN SHOWN FOR REFERENCE ONLY (NOT SUPPLIED).



16 SPACERS (2 PER MOUNTING BOLT IF BOTH MOUNTING PLATES (MODEL 6700 - NOT SUPPLIED) ARE INSTALLED BEHIND THE FINISHED WALL. USE 1 SPACER PER BOLT FOR RETROFITS WHERE BOTH MOUNTING PLATES (MODEL 6700R - NOT SUPPLIED) ARE INSTALLED IN FRONT OF THE FINISHED WALL)

ONE PIECE INSTALLATION ON SINGLE FOUNTAIN

SHOWN FROM REAR

(MODEL BP15C & BP15WC ARE COMBINATION BOTTLE FILLER AND FOUNTAIN BACK PANELS USED FOR CHILD HEIGHT APPLICATIONS ONLY ON MODELS 1107, 1109 & 1311 - BOTTLE FILLER & DRINKING FOUNTAIN NOT SUPPLIED)

		1455 KLEPPER LANE SPARKS, NEVADA, 89431 (775) 399-4712 FAX (775) 399-7424 E-MAIL: HAWS@HAWSCO.COM WEBSITE: WWW.HAWSCO.COM	
EQ. NO. REVISED PER BR.:	MODEL(S)	DRAWING, BACK PANEL, SPACER INSTALLATION	
DRAWN BY: ENK/SLS	DATE: 10/13/02	FOR BP15 SERIES & BP32 SERIES, BOTTLE FILLER	
APPROVED BY: ENK/SLS	DATE: 03/03/05	SCALE: 1:1	DRAWING TYPE: INSTALLATION
PART NUMBER: 0510000493	REVISION: 6	SHEET: 3	OF: 3